



Model: JLV-12100KA-US Size: 202\*71.2\*45mm



### Brief Information

# 100W

## Waterproof Power Supply (C.V.)

Model JLV-12100KA-US

Input 100~134V AC

Output 12V DC 8.34A 100W

### Product Features

- UL listed (US & Canada)
- High transfer efficiency
- Stable constant voltage output
- IP67, both indoor & outdoor use suitable
- 100% full loading, 100% burn-in tested
- Overload/short circuit protection

## MAIN ELECTRICAL DATA

### AC Input

Input Voltage	100~134V
Input Frequency	50/60Hz
Efficiency (Typ.)	83%
Input Current	120V: 1.4A <sub>max.</sub>
Inrush Current	40A
Leakage Current	5mA/120VAC

### DC Output

Output Voltage	12V
Rated Current	8.34A
Rated Power	100W
Ripple & Noise (Max.)	<200mVp-p
Setup, Rise Time	1000ms/120VAC
Line Regulation	1%
Load Regulation	1%

## Service Environment

Working Temp.	-25°C~50°C
Working Humidity	20~95%RH
Storage Temp.	-40°C~80°C
Storage Humidity	10~95%RH

## Packaging Information

Product Dimension	202*71.2*45mm
Products Net Weight	885G
PCS/Carton(QTY)	10 PCS
Master Carton Size	26.5*23*20.5cm
G. Weight/ Carton	9.64KG

## Protection

Overload	Yes, active when overload 10~20%
Short Circuit	Yes, hiccup mode, recovers automatically after fault condition is removed

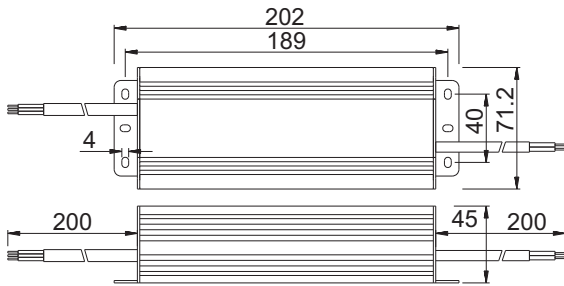
## Safety

Safety Standard	EN 61347-2-13
Withstand Voltage	I/P-O/P: 3750VAC/1min/<5mA
Isolation Resistance	I/P-O/P: >100M Ohms / 500VDC /25°C / 70%RH

### Installation Tips:

- Please identify the power supply's input and output before installation.
- Ensure correct output + & - wire connection.
- Power on after wire connection is done.
- To avoid voltage drop and loading capacity wasting on the output extension wire, please install the power supply to the loading as near as possible, if must use long extension wires, thicker wires and less loading wattage is required.
- The power supply to be installed at good ventilation and cooling environment.

## Physical Drawing



Unit: mm

### Brief Information

# 100W

**Waterproof Power Supply (C.V.)**

Model JLV-12100KA-US

Input 100~134V AC

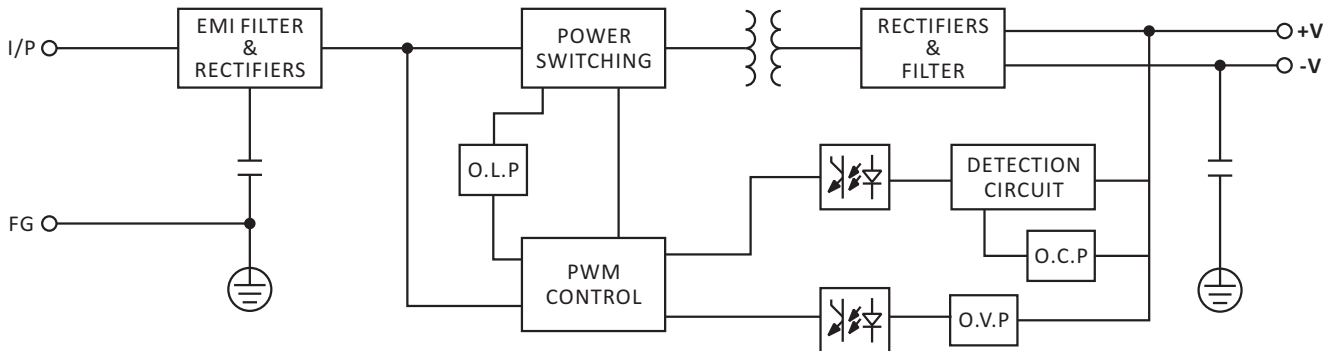
Output 12V DC 8.34A 100W

Input: 18AWG\*3C, Black L, White N  
200mm length

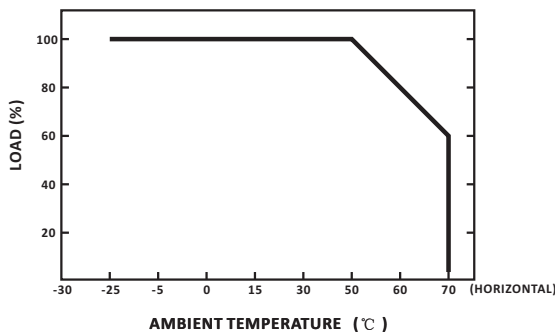
Output: 18AWG\*2C White +, Black -  
200mm length

Housing: Aluminium

## Block Diagram



## Derating Curve



## Static Characteristics

