

ML20S24DC

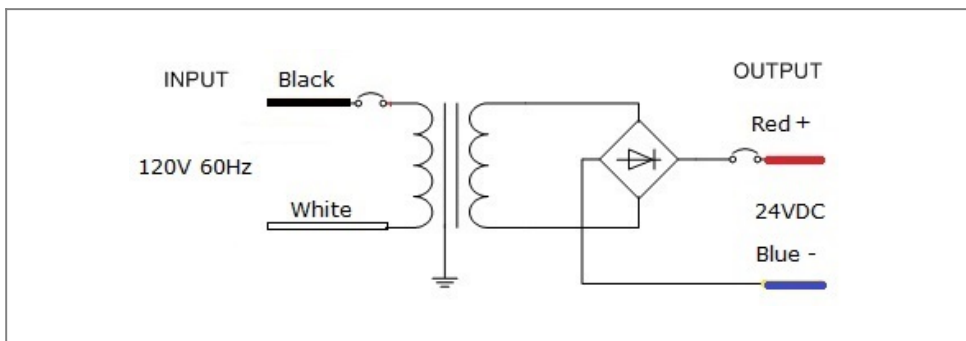
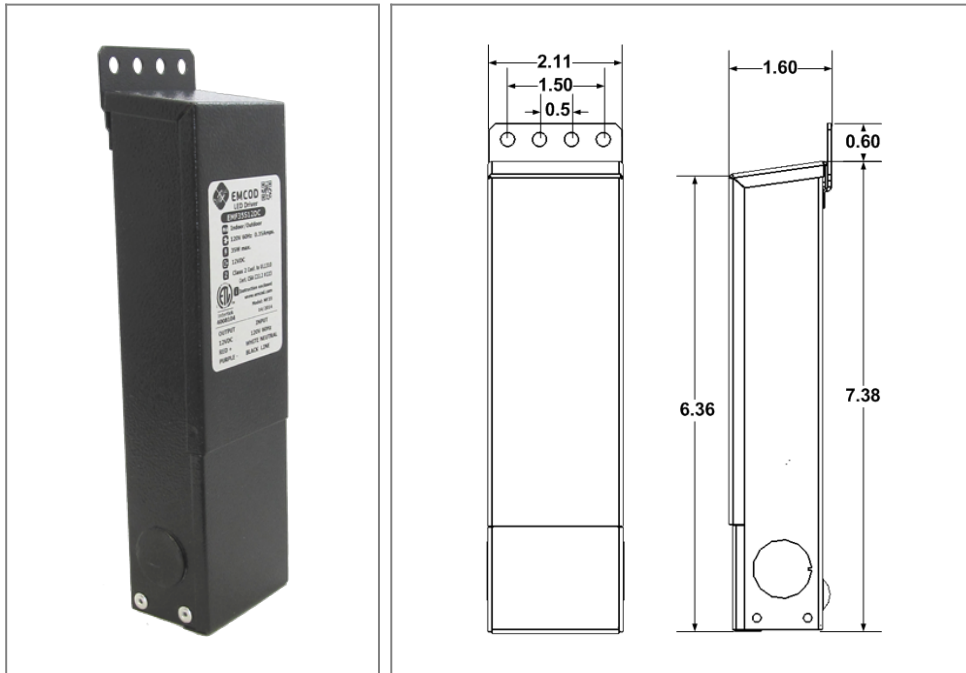
Class 2 Magnetic Dimmable

Outdoor Black Powder Coated Steel Enclosure

Single Circuit: **24VDC**

Total Wattage: **20W max**

Input Voltage: **120V 60Hz**



Transformer

Dimmable with any LV magnetic dimmer as long as you cover dimmer's min load.

Temperature class B(130°C)

Input leads are 18AWG 600V

Output leads are 18AWG 300V

Leads max. operational temperature is 105°C

Thermal self reset primary breaker 0.8A

Thermal self reset secondary breaker 1.5A

Housing

The actual transformer 20W is encapsulated in the enclosure

The enclosure is Black Powder Coated Steel, NEMA 3R rated

Wiring compartment has 2 knockouts sizes for 3/8 inch screw cable connectors

Enclosure Temperature does not exceed 65°C at 45°C ambient and fully loaded

Dimensions (inch): H = 7.38, W = 2.11, D = 1.6

Weight (LBS): 1.6

Electrical Parameters

Input Voltage: **120V 60Hz**

Max. input current at full load: **0.22A**

Output voltage without load: **27VDC**

Output voltage fully loaded: **23.5VDC**

Max. Total Wattage: **20W**

Max. Output Current: **0.8A**

Efficiency: **83%**