

# ML50S24DC

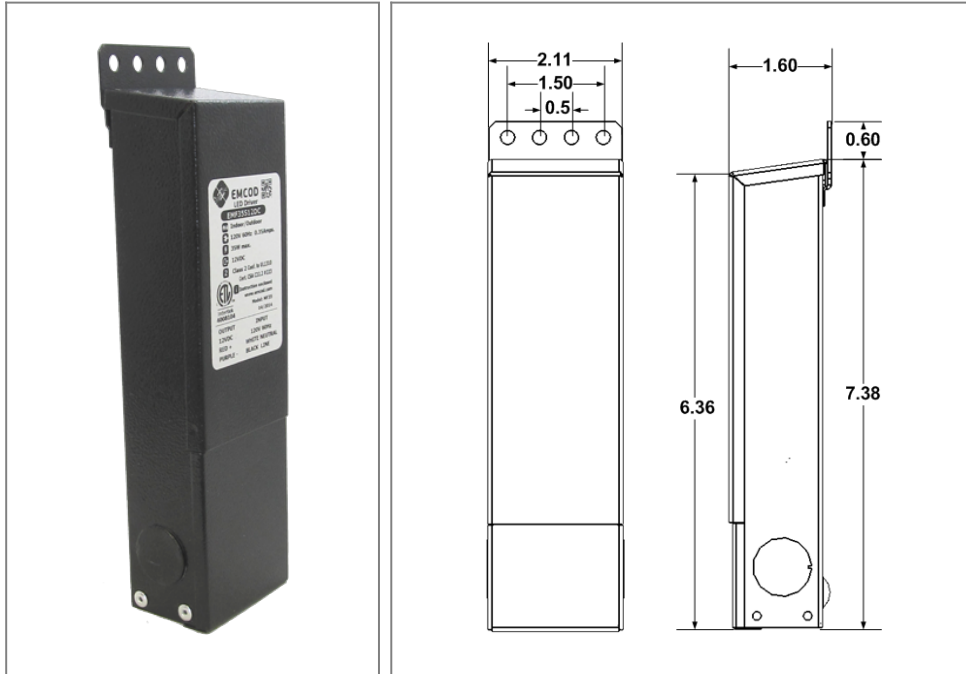
## Class 2 Magnetic Dimmable

Outdoor Black Powder Coated Steel Enclosure

Single Circuit: **24VDC**

Total Wattage: **50W max**

Input Voltage: **120V 60Hz**



### Transformer

Dimmable with any LV magnetic dimmer as long as you cover dimmer's min load.

Temperature class B(130°C)

Input leads are 18AWG 600V

Output leads are 18AWG 300V

Leads max. operational temperature is 105°C

Thermal self reset primary breaker 1.25A

Thermal self reset secondary breaker 5A

### Housing

The actual transformer 50W is encapsulated in the enclosure

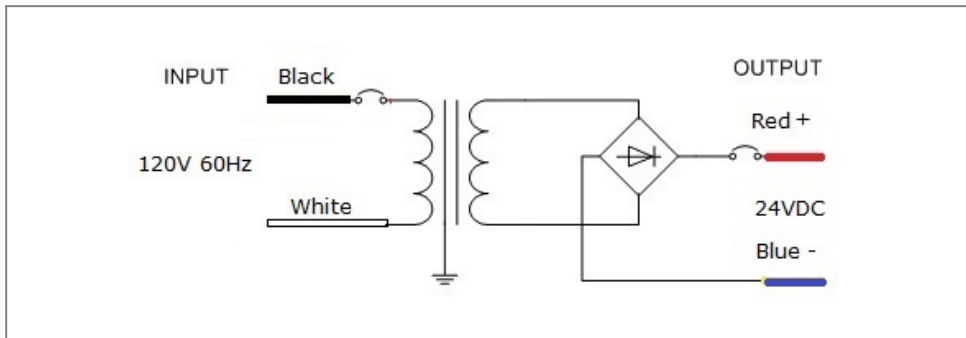
The enclosure is Black Powder Coated Steel, NEMA 3R rated

Wiring compartment has 2 knockouts sizes for 3/8 inch screw cable connectors

Enclosure Temperature does not exceed 75°C at 45°C ambient and fully loaded

Dimensions (inch): H = 7.38, W = 2.11, D = 1.6

Weight (LBs): 2.1



### Electrical Parameters

Input Voltage: **120V 60Hz**

Max. input current at full load: **0.53A**

Output voltage without load: **26.4VDC**

Output voltage fully loaded: **23.5VDC**

Max. Total Wattage: **50W**

Max. Output Current: **2.1A**

Efficiency: **85%**