

# SPECIFICATION SHEET

## PRODUCT # : CL-319B-GM

• Well Lights

• Cast Brass Faceplate

### Fixture Specifications:

**Housing:** Injected molded composite for high UV stability.

**Faceplate:** Diecast brass, fitted to housing with silicone "O" ring gasket.

**Finish :** **GM- Gun Metal.** Natural toning process. GM finish will vary due to artistic process. Also available in **AB- Antique Bronze**

**Lens:** Clear and heat resistant flat glass.

**Socket:** Top grade adjustable ceramic bi-pin socket with retention clip and teflon-jacketed wire lead.

**Lamp:** 12V, MR-16 halogen 50W max. L-BAB-C20 (20w) standard. LED lamps are also available. See lamp guide, below for more information.

**Gasket:** Silicone "O" ring seals faceplate to housing, providing weather tight protection.

**Wiring:**

Fixture is prewired with a 3-ft 18-2 SJT-W direct burial cord. Wire connector available separately. Silicone filled wire nut (**CX-854**) may be ordered to Corona Lighting.

**Mounting:**

In-ground direct burial or concrete encasement. For best results when mounting in concrete, use the concrete pour kit (**CX-237**)

**Electrical Notes:**

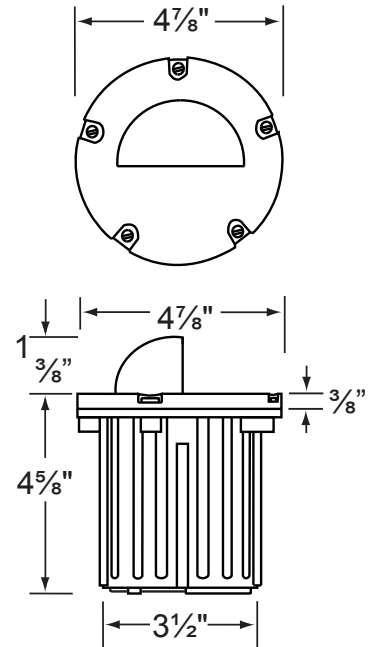
A remote 12V transformer required, may be ordered to Corona Lighting separately. Voltage range for 12V halogen lamps are 11V-12.5V Voltage range for LED lamps are 9V-17V.

**Warranty:**

Limited lifetime warranty on fixture Brass face plate and ten (10) years on housing against manufacturer's defects.



Fixture socket tilts for ± 25°



### JOB INFORMATION

TYPE: \_\_\_\_\_ DATE: \_\_\_\_\_

JOB NAME & ADDRESS: \_\_\_\_\_

PRODUCT #:

TOTAL QUANTITY:

LAMP TYPE & WATTAGE:

TRANSFORMER:

CONTRACTOR:

SPECIFIER:

• When ordering LED lamp with a fixture your part number should follow the format below:

• Corona Lighting reserves the right to make any change and/or improvement to the design and construction of this fixture without further notification.