

SPECIFICATION SHEET

PRODUCT # : CL-365B-AB

• Step Lights

• Cast Brass

Fixture Specifications:

Housing: Heavy Duty Corrosion Resistant Cast Brass.

Faceplate: Die cast solid brass, fitted to housing with a silicone gasket.

Finish: **AB- Antique Bronze.** Natural toning process. AB finish will vary due to artistic process.

Lens: Frosted and heat resistant glass.

Socket: S.C. Bayonet socket, attached to aluminum reflector.

Lamp: 12 volt, S.C Bayonet 27W Max. L-SCB-1141 (18W) standard. LED lamps available in 2W and 2.5W, with 2700K-warm white or 3000K-cool white color temperature. Xenon and halogen lamps also available.

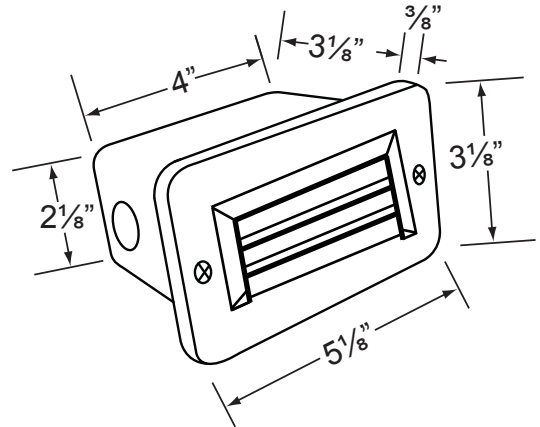
Gasket: Silicone gasket, seals faceplate to housing. Providing weather tight protection.

Wiring: Fixture is prewired with a 3ft 18-2 SPT1-W direct . burial cord. Wire connector sold separately. Gel filled wire nut (**CX-854**) is available from Corona Lighting.

Mounting: Recessed mount back box. Best used in concrete, brick and other masonry, with 3x 1/2" NPT inlets.

Electrical Notes: A remote 12V transformer required, may be ordered to Corona Lighting separately. Voltage range for LED lamps are 10V to 18V.

Warranty: Limited lifetime warranty on fixture housing and faceplate against manufacturer's defects.



JOB INFORMATION

TYPE: _____ DATE: _____

JOB NAME & ADDRESS: _____

PRODUCT #: _____

TOTAL QUANTITY: _____

LAMP TYPE & WATTAGE: _____

TRANSFORMER: _____

CONTRACTOR: _____

SPECIFIER: _____