

SPECIFICATION SHEET

PRODUCT # : CL-374B-AB

•Brick Lights

• Cast Brass Faceplate

Fixture Specifications:

Housing: Heavy Duty corrosion resistant galvanized steel with self-leveling adjustable bars.

Faceplate: Die cast brass, fitted to housing with a dense silicone gasket.

Finish: **AB- Antique Bronze.** Natural toning process. AB finish will vary due to artistic process. Also available in **GM- Gun Metal**

Lens: Frosted and heat resistant glass.

Socket: Two S.C. Bayonet sockets, attached to aluminum reflector.

Lamp: 12 volt, S.C Bayonet 2x27W Max. L-SCB-1141 (18W) standard. LED lamps available in 2W and 2.5W, with 2700K-warm white or 3000K-cool white color temperature. Xenon and halogen lamps also available.

Gasket: Solid silicone gasket, seals faceplate to housing. Providing weather tight protection.

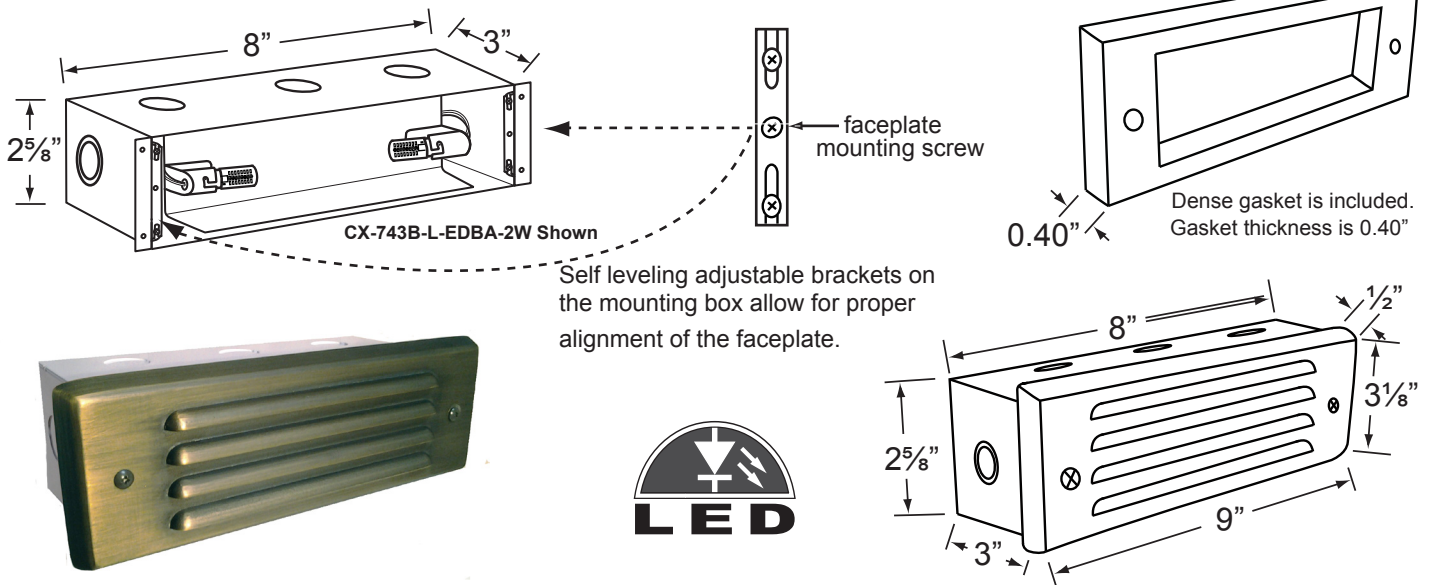
Wiring: Fixture is prewired with a 3ft 18-2 SPT1-W direct . burial cord. Wire connector sold separately. Silicone filled wire nut (**CX-854**) is available from Corona Lighting.

Mounting: Recessed mount back box. Best used in concrete, brick and other masonry, with 5x 1/2" NPT inlets.

Electrical Notes: A remote 12V transformer is required. Options are available from Corona Lighting. Voltage range for 12V halogen lamps are 11V-12.5V Voltage range for LED lamps are 8V-21V.

Warranty: Limited lifetime warranty on faceplate against manufacturer's defects.

Self-Leveling Mounting Bracket



JOB INFORMATION

TYPE: _____ DATE: _____

JOB NAME & ADDRESS: _____

PRODUCT #: _____

TOTAL QUANTITY: _____

LAMP TYPE & WATTAGE: _____

TRANSFORMER: _____

CONTRACTOR: _____

SPECIFIER: _____