

MINI WALL PACK LED



The EnVision LED Mini Wall Pack LED is powerful, waterproof, and is compatible with universal voltage. It is equipped with a die cast aluminum housing, finished with a matte bronze powder paint, and anti-corrosion priming. Available in both a built-in photocell option or a non-dimmable option.

Applications:

- Outdoor Lighting
- Pathways, Hallways, Entryways

Product Information:

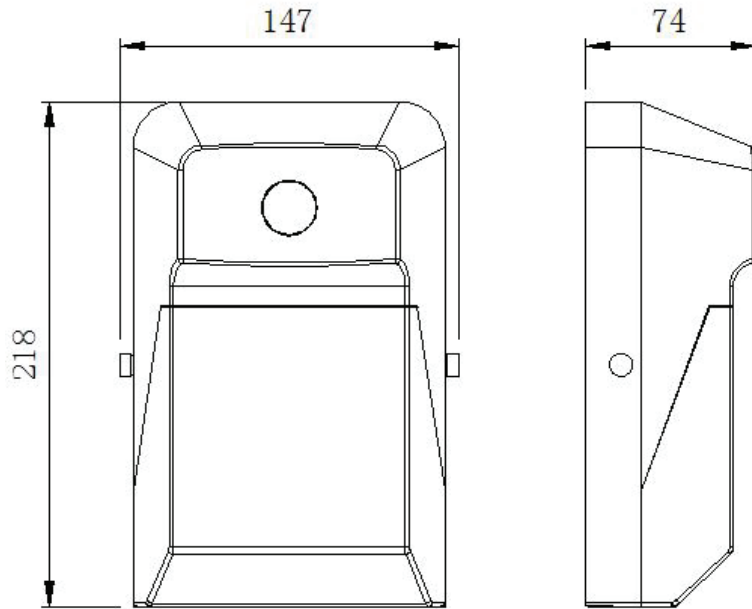
- Easy install with included mounting bracket
- Ready to replace existing 50/75W metal halide
- Clear lens to improve efficiency to over 120lm/w
- Photocell optional: daylight detection turns light on/off
- Suitable for wet location (UL Listed)
- 5 Year Limited Warranty

Type	Model	Volt	Watt	Lumen	Color	CRI	Beam Spread
No Photocell	LED-WPM-20W-50K-C-ND	120/277V	20W	2400	Day- 5000k	>80	110°
Photocell	LED-WPM-20W-50K-C-PC	120/277V	20W	2400	Day- 5000k	>80	110°

MINI WALL PACK LED

DIMENSIONS AND DIMMING

147mm: 5.78"
218mm: 8.58"
74mm: 2.9"



FEATURES

Photocell (Optional)

Integrated photocell is an optional feature. The best part? Choose to use a photocell without sacrificing the look

Lens

Clear ribbed lens reduces glare while improves efficiency to 120lm/w

Universal Mounting Plate

Don't get stuck on the job. Our universal bracket ensures compatibility with all J-Box sizes

Anti-Corrosion Finish

Architectural bronze finish with anti-corrosion primer

