

**PROJECT:** \_\_\_\_\_

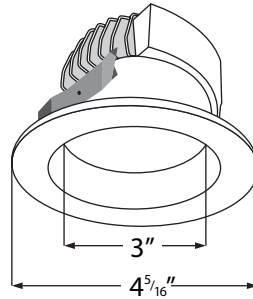
**MODEL #:** \_\_\_\_\_

**LOCATION:** \_\_\_\_\_

**CONTACT:** \_\_\_\_\_



### DIMENSIONS



#### Use of Product

The Versatrim RFL3 Series is the ideal product for energy efficient lighting in existing, remodel, or new construction housings. This product may be used in hospitality, health care, commercial, retail, and residential applications. The Versatrim will reduce energy consumption, emits little heat, and reduces cooling loads for added costs savings. Approximately 75% in energy savings compared to incandescent light source.

#### Versatrim Features

- Watts: 12W
- Lumens: 800 Lumens
- Voltage: (120V standard); 120-277V (with optional 0-10V dimming driver)
- Color Temperature: 2700K, 3000K, 3500K, or 4000K
- Color Rendering Index: 93+ CRI Typical
- SDCM: 2 Step binning
- R9 Value: 85
- LED Life: 50,000 hours
- LED Type: Cree LED for maximum light output
- Versatility: Interchangeable baffle, reflector, and trim ring in round and square.
- EM Battery: 90 min, 800 lumens only.
- Warranty: 5 Year Limited Warranty.
- Wet Location Certified.

#### LED Driver

Durable 120V dimmable driver provides high power factor with the optimum thermal management to prevent damage caused by high temperature. Driver protections include: output open load, over-current and short circuit, and over temperature with auto recovery.

#### DIMMING

Available in 9 driver selections. Standard Triac/ELV, 120V. (018) 0-10V dimming in 800 lumens, 120-277V. (L3DEA) Lutron Hi-Lume 1% Ecosystem, 120-277V. (L3D3W) Lutron Hi-Lume 1% 3-wire, 120-277V. (LDE1) Lutron Hi-Lume 1% Ecosystem with soft on, fade to black dimming, 120-277V. (LTE) Hi-Lume 1% 2-wire, 120V (EEI) eldoLED Eco 1% Dim (0-10V), 120-277V. (EDIO) eldoLED Solo 0.1% Dim(0-10V), 120-277V. (EDID) eldoLED Solo 0.1% Dim(DALI), 120-277V.

#### Electrical Connection

LED module quick connect allows easy connection to Rayon LED housing. Optional edison screw base or GU24 adaptor available for retrofit applications.

#### Emergency Battery

Optional emergency battery with up to 90 minute illumination time. 800 lumens only.

#### Mounting

Torsion springs supplied for convenient mounting to existing, remodel, or new construction housing.

#### Module Mechanics

The RFL3 Series is constructed of durable heat sink, baffle or reflector, trim ring, diffused lens and Cree LEDs for optimum performance. Interchangeable round or square baffle, reflector, and trim ring are designed for convenient color selection and replacement in the field. Diffused, polycarbonate, impact-resistant lens provides for even light output, glare control, and conceals LEDs from view

#### Labels/Compliance

- CSA Classified for wet location
- LM79 and LM80
- Can be used for state of California Title 24 compliance



## ORDERING INFO

RFL3	8L						
Series	Lumens	Color Temp.	Dimming	Baffle or Reflector	Trim		
RFL3	8L - 800 Lumens (120V)	27 - 2700K 30 - 3000K 35 - 3500K 40 - 4000K	Leave blank - Triac/ELV <b>018</b> <sup>1</sup> - 0-10V Dimming (800 lumens) <b>L3DAE</b> <sup>1</sup> - Lutron Hi-Lume 1% Ecosystem <b>L3D3W</b> <sup>1</sup> - Lutron Hi-Lume 1% 3-Wire <b>LDE1</b> <sup>1</sup> - Lutron Hi-Lume 1% Ecosystem with soft on, fade to black dimming <b>LDE5</b> <sup>1</sup> - Lutron Hi-Lume 5% Ecosystem <b>LTE</b> <sup>1,2</sup> - Hi-Lume 1% 2-wire <b>EEI</b> <sup>1,3</sup> - eldoLED Eco 1% Dim (0-10V) <b>EDIO</b> <sup>1,3</sup> - eldoLED Solo 0.1% Dim (0-10V) <b>EDID</b> <sup>1,3</sup> - eldoLED Solo 0.1% Dim (DALI)	<b>ROUND</b> <b>3BLW</b> - White <b>3BLSN</b> - Satin Nickel <b>3BLC</b> - Copper <b>3BLB</b> - Black <b>3BLBZ</b> - Bronze <b>3RLW</b> - White <b>3RLCH</b> - Chrome <b>3RLSN</b> - Satin Nickel <b>3RLC</b> - Copper <b>3RLB</b> - Black <b>3RLBZ</b> - Bronze <b>3RLH</b> - Haze <b>3RLCX</b> - Custom	<b>SQUARE</b> <b>3SBLW</b> - White <b>3SBLB</b> - Black <b>3SRLW</b> - White <b>3SRLB</b> - Black <b>3SRLH</b> - Haze <b>3SRLSN</b> - Satin Nickel <b>3SRLCH</b> - Chrome <b>3SRLCX</b> - Custom <b>3TLW</b> - White <b>3TLSN</b> - Satin Nickel <b>3TLC</b> - Copper <b>3TLB</b> - Black <b>3TLBZ</b> - Bronze <b>3TLH</b> - Haze <b>3TLCX</b> - Custom		

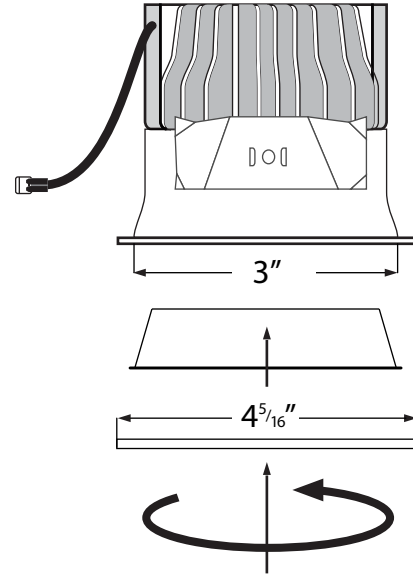
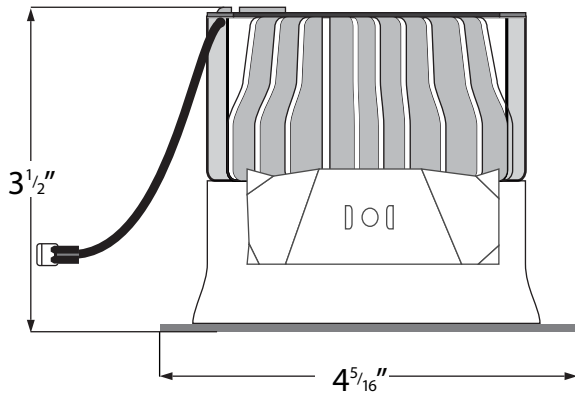
#### Options

- SBA - Screw base adapter (Included)
- G-24 - GU24 adapter
- 277SDT<sup>1</sup> - 277V Step down transformer
- 347SDT<sup>1</sup> - 347V Step down transformer
- EM<sup>1</sup> - Emergency back-up

1. Requires dedicated housing.  
2. 120V only.  
3. Must specify logarithmic or linear eldoLED driver.

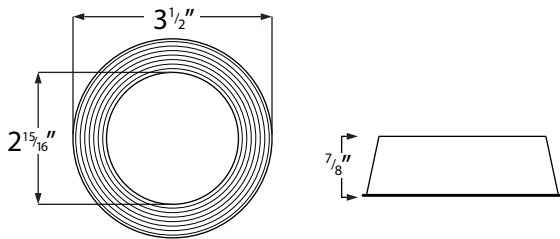
**PROJECT:** \_\_\_\_\_  
**MODEL #:** \_\_\_\_\_  
**LOCATION:** \_\_\_\_\_  
**CONTACT:** \_\_\_\_\_

**NEW CONSTRUCTION/REMODEL DIMENSIONS**

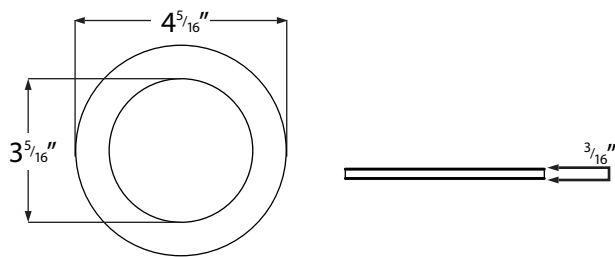


**Round**

Baffle/Reflector

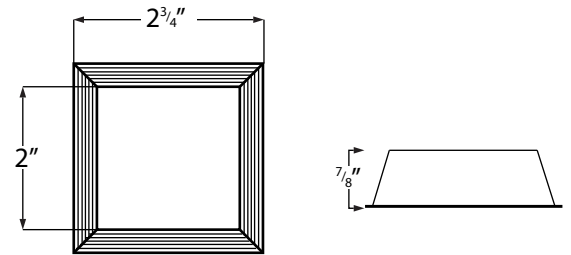


Trim



**Square**

Baffle/Reflector



Trim

