

EM150S24DC

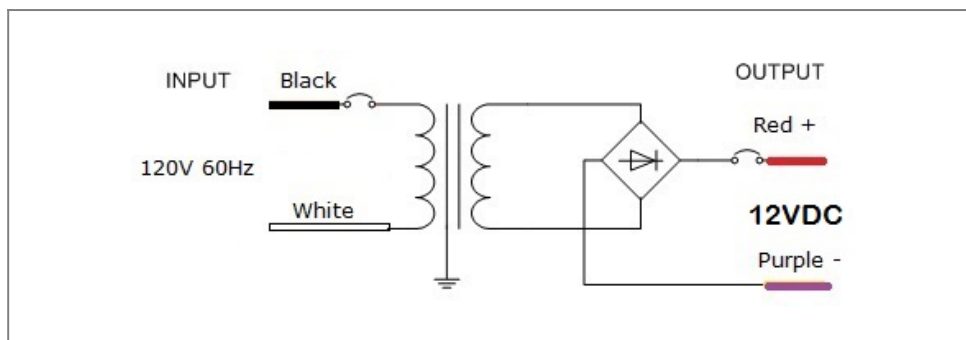
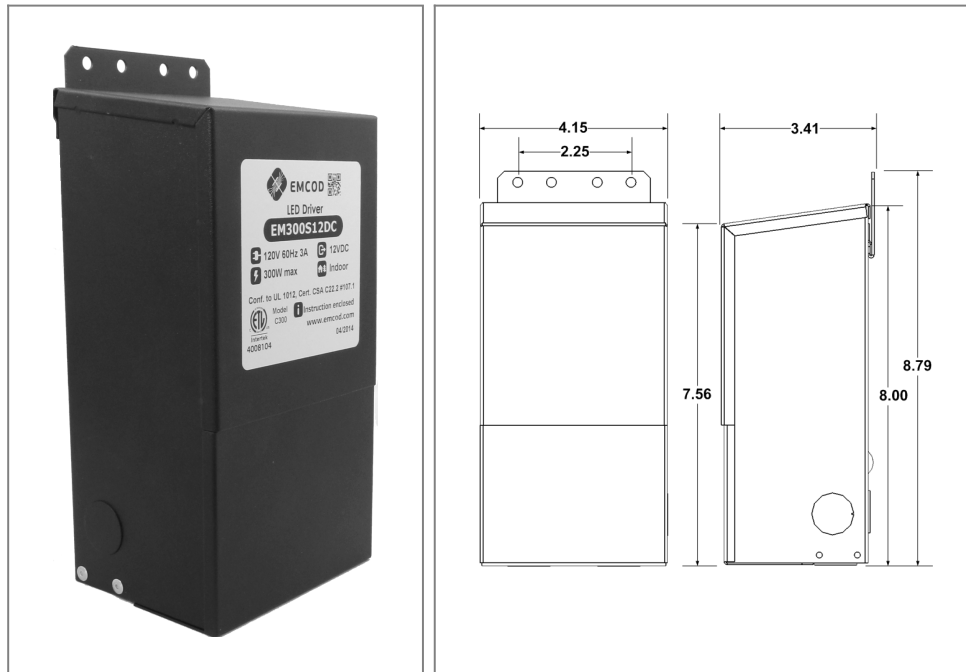
Magnetic Dimmable

Outdoor Black Powder Coated Steel Enclosure

Single Circuit: **24VDC**

Total Wattage: **150W max**

Input Voltage: **120V 60Hz**



Transformer

Dimmable with any LV magnetic dimmer as long as you cover dimmer's min load.

Temperature class B(130°C)

Two section bobbin completely separated primary and secondary windings

Input leads are 18AWG 600V

Output leads are 12AWG 300V

Leads max. operational temperature is 105°C

Thermal manually reset primary breaker 2A

Thermal manually reset secondary breaker 10A

Housing

The actual transformer 150W is encapsulated in the enclosure

The enclosure is Black Powder Coated Steel, NEMA 3R rated

Wiring compartment has 6 knockouts sizes for 3/8 inch screw cable connectors

Enclosure Temperature does not exceed 75°C at 45°C ambient and fully loaded

Dimensions (inch): H = 8, W = 4.15, D = 3.41

Weight (LBs): 7.7

Electrical Parameters

Input Voltage: **120V 60Hz**

Max. input current at full load: **1.5A**

Output voltage without load: **25.3VDC**

Output voltage fully loaded: **23.5VDC**

Max. Total Wattage: **150W**

Max. Output Current: **6.2A**

Efficiency: **88%**