

SPECIFICATIONS

Model No.	2106-NW	2106-NCW	2112-NCW	2112-NCW
Power	60W	60W	120W	120W
Lumens(LM)	5300	5300	11000	11000
LIFE(H)	50000	50000	50000	50000
Working voltage	100-277/ 200-480	100-277/ 200-480	100-277/ 200-480	100-277/ 200-480
Input current	0.6A	0.6A	1.2A	1.2A
Color Temperature	4000K	5000K	4000K	5000K
Frequency	50/60Hz	50/60Hz	50/60Hz	50/60Hz
Power Factor	>0.9	>0.9	>0.9	>0.9
CRI	>70	>70	>70	>70
Work temp(°C)	-35~50	-35~50	-35~50	-35~50
Size LXWXH(mm)	310X300 X160	310X300 X160	310X300 X160	310X300 X160
Weight(KG)	5.86	5.86	6.0	6.0
Operating Location	WET	WET	WET	WET

INSTALLATION

Please read over all instructions carefully before you begin. If you have any questions please call your local dealer, or contact Richee Lighting Inc. at 213.814.1638

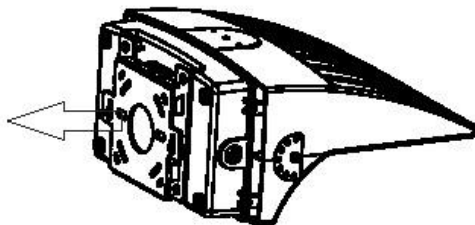
IMPORTANT

Fixtures must be wired in accordance with the National Electrical Code and all applicable local codes. Proper grounding is required for safety. Vandalproof fixtures are for indoor or outdoor use and should not be used in areas with limited ventilation or high ambient temperatures.

THIS PRODUCT MUST BE INSTALLED IN ACCORDANCE WITH THE APPLICABLE INSTALLATION CODE BY A PERSON FAMILIAR WITH THE CONSTRUCTION AND OPERATION OF THE PRODUCT AND THE HAZARDS INVOLVED.

WARNING: Make certain power is OFF before installing or maintaining fixture.

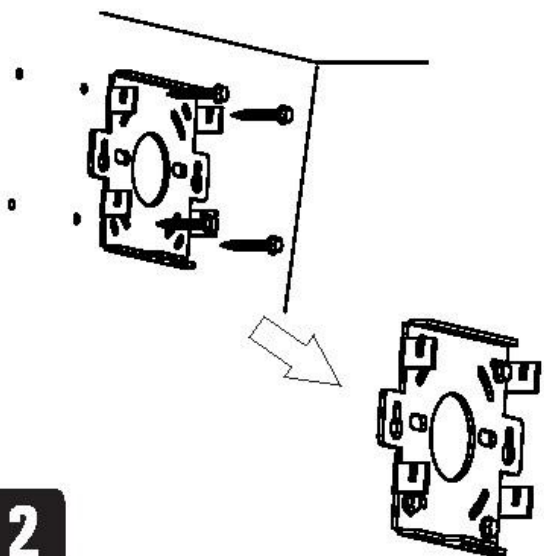
Remove the mounting plate from back of fixture housing



1

Using the mounting plate as a template, mark and drill holes in the mounting surface for anchor bolts (by others). Set anchor bolts and fasten mounting plate securely, noting orientation arrow on plate.

Set anchor bolts so that they do not protrude past the inner gasket more than 3/8" or they might interfere with fixture housing.

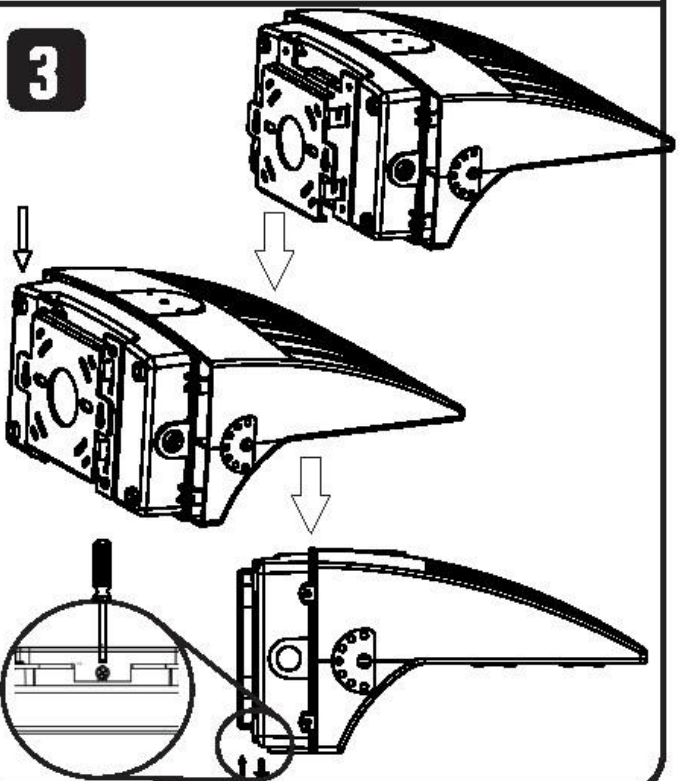


2

WARRANTY

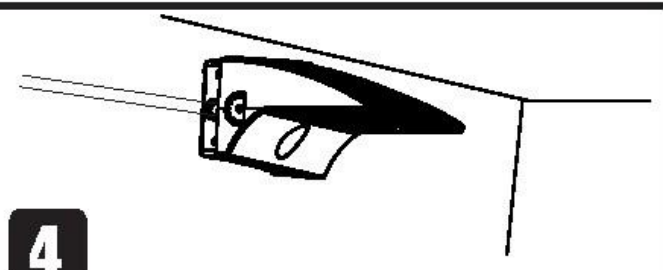
Richee Lighting warrants all products are free from defects in materials and workmanship under normal use for the period of 5 years from date of purchase. Our warranty does not cover normal or regular wear and tear. Richee Lighting can repair or replace at our option, any product or part of the product that is found to be defective. Our warranty applies to materials only, and does not include return freight, delivery, loss or damage to personal property, cost of removal or installation, any incidental or consequential damages or labor. This warranty does not apply to products which are misused, abused, altered, improperly installed or subject to negligence. All warranties must be approved through our warranty department. The original purchaser must present a copy of the invoice for the defective product.

Hanging lamp on the mounting plate and tighten the screws under.



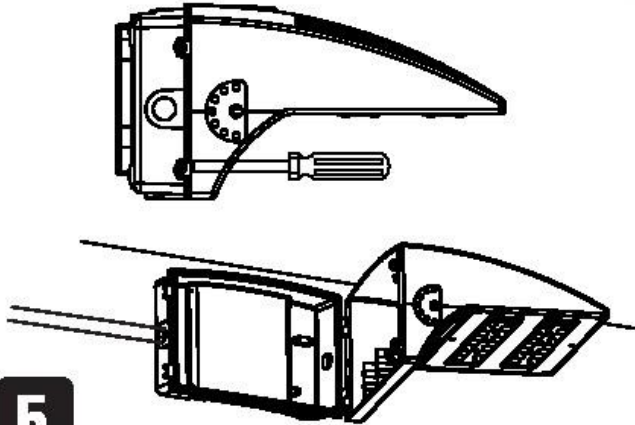
3

Mount over a junction box or feed with conduit on each side, top or bottom. Using lag bolts to secure fixture to the mounting surface is recommended. To ensure weatherproof seal, use the supplied mounting gasket and seal all mounting plugs, conduit entrances and along all sides of the fixture with weatherproof silicone sealant.

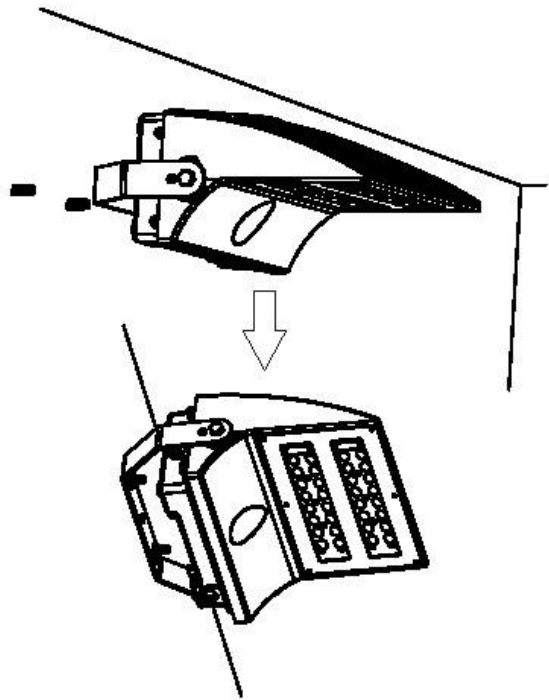


4

Open the door and connect leads to supply leads



(OPTION): If you are installing the fixture to a wall stud or vertical post, attach fixture using 2 bolts or screws (not provided) and mounting holes on hanging bracket as shown. Chosen hardware and mounting surface must be capable of supporting 6 kgs if hanging a 120W model. Secure safety cable to wall stud or vertical post using another set of hardware (not provided) with the same support capabilities as the installation hardware.



! DISCONNECT POWER BEFORE INSULATING OR SERVICING. !

ALL ELECTRICAL WORK SHOULD BE COMPLETED BY QUALIFIED PERSONNEL AND MEET NATIONAL (NEC), REGIONAL AND LOCAL ELECTRIC CODES.

CITY GRID WIRING INSTRUCTION
 BLACK WIRE IS POSIOVE AND CAN BE CONNECTED TO EITHER 120/277/347/480 VOLTS.
 CONNECT WHITE WIRE TO NEGATIVE
 CONNECT GREEN WIRE TO GROUND
 WIRE CONNECTIONS MUST BE INSULATED AND WATERPROOF

SENSOR (OPTION)

Master-to-master control (condomunium control)

It offers 3 levels of light :100%-->dimmed light (10%, 20%,30%,40%, 50% optional)-->off; and 2 periods of selectable waiting time:motion hold-time and stand-by period.

With insufficient nature light, the person comes from any direction, the group of lamps switch on.



After the hold time, the whole group of lamps dims to pre-defined dimming level when no movement detected.

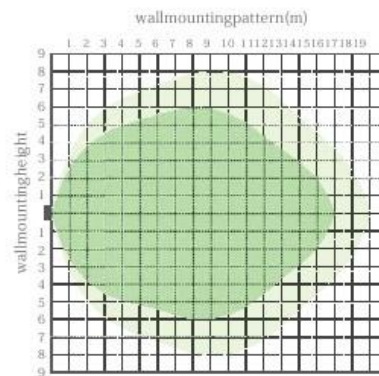
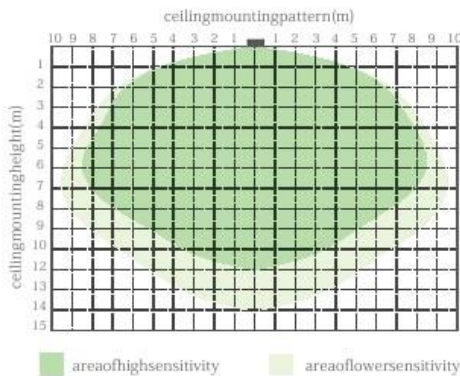


After the stand-by period, the whole group of lamps switches off automatically.



SENSOR (OPTION)

Detection Pattern



Settings

1 Detection area

Detection area can be reduced by selecting the combination on the DIP switches to fit precisely for each specific application.

	1	2	
I	●	●	100%
II	●	○	75%
III	○	●	50%
IV	○	○	10%

I – 100%
II – 75%
III – 50%
IV – 10%

2 Hold-time

Hold-time means the time period you would like to keep the lamp on 100% after the person has left the detection area.

	1	2	3	
I	●	●	●	5s
II	●	●	○	30s
III	●	○	●	1min
IV	●	○	○	5min
V	○	●	●	10min
VI	○	●	○	20min
VII	○	○	●	30min

I – 5S
II – 30S
III – 1min
IV – 5min
V – 10min
VI – 20min
VII – 30min

3 Daylight sensor

The daylight threshold can be set on DIP switches, to fit for particular application.

	1	2	
I	●	●	Disable
II	●	○	50Lux
III	○	●	10Lux
IV	○	○	2Lux

I – Disable
II – 50Lux
III – 10Lux
IV – 2Lux

4 Stand-by period (corridor function)

This is the time period you would like to keep at the low light output level before it is completely switched off in the long absence of people.

note: 0 means on/off control;

+ means 2 steps of dimming control, fixture never switch off.

	1	2	3	
I	●	●	●	0s
II	●	●	○	10s
III	●	○	●	1min
IV	●	○	○	5min
V	○	●	●	10min
VI	○	●	○	30min
VII	○	○	●	1h
VIII	○	○	○	+

I – 0s
II – 10s
III – 1min
IV – 5min
V – 10min
VI – 30min
VII – 1h
VIII – +

5 Stand-by dimming level

This is the dimmed low light output level you would like to have after the hold-time in the absence of people.

	1	2	
I	●	●	10%
II	●	○	20%
III	○	●	30%
IV	○	○	50%

I – 10%
II – 20%
III – 30%
IV – 50%



Richee Lighting Inc Los Angeles, CA

www.Richeeled.com E-mail: Richeelighting@gmail.com

Wiring diagram

