



ADVANCE  
**LED**  
SUPPLY

Lighting Catalog  
Edition III



# TABLE OF CONTENTS

## RECESSED LIGHTS – 2

2", 3", 4", 6", Commercial, Can-Less, Custom, Nora, Trimless, Trims, LED Cans

## LED BULBS – 13

A19, BR, PAR, Candelabra, Globe, Filament, Tube, Corn, GU24, GU24Q, MR16, G4, GU10, Landscape, G9

## INDOOR LED FIXTURES – 17

Ceiling, High Bay, Integrated, Strip, Linear, Vanity, Troffer, Panel, Surface, Frame Panel

## OUTDOOR LED FIXTURES – 25

Wall Packs, Flood Lights, Pole, Security, Bullet, Wall Sconces, Canopy, Bollards

## LANDSCAPE LIGHTING – 32

Up Lights, Path Lights, Well Lights, Hardscape, Accessories, Landscape Power Supplies

## STEP LIGHTS – 36

Built-in LED Step Lights, Step Lights, Surface Mount Lights

## TRACK LIGHTS – 38

Built-in LED Track Lights, Track Heads, Tracks, Connectors, Couplings, Magnetic

## EMERGENCY LIGHTS – 41

Exit Signs, Combos, Bug Eyes

## UNDER CABINET LIGHTS – 42

Puck, Linear, Small Recessed

## CUSTOM LED CHANNEL – 43

## LED STRIPS – 44

Spotless COB, RGB Color Changing, Premium, Outdoor, 110V, Neon LED, CCT Tunable White

## MODULES – 49

## LED SHEETS – 50

## ALUMINUM CHANNEL – 51

Trimless, Black, Surface Mount, Flush Mount

## POWER SUPPLIES – 57

Adapters, Indoor, Dimmable, Outdoor

## LIGHTING CONTROLLERS – 60

RGB Controllers, Mi Light, Wall Mount Low Voltage Dimmers, Amplifiers, DMX Dimmers, Legrand, RadioRA3, Caséta, Wifi Sensors, Title 24

## ELECTRICAL – 66

Switches, Receptacles, Wall Plates

## ACCESSORIES – 67

LED Strip Accessories, Wires, Sockets

## BUSTER+PUNCH – 68

Dimmers, Toggle Switches, Outlets, Receptacles, Wall Plates, Detail Kits

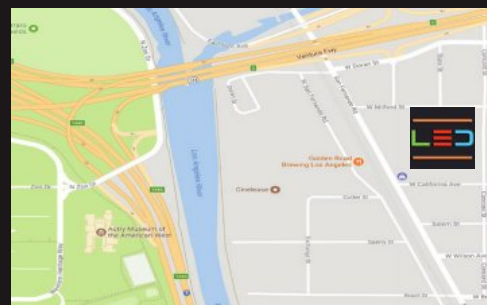
### Store Address

5404 San Fernando Rd.  
Glendale, CA 91203

Tel: (818) 649-1999  
Fax: (818) 649-1998

[sales@advanceledsupply.com](mailto:sales@advanceledsupply.com)

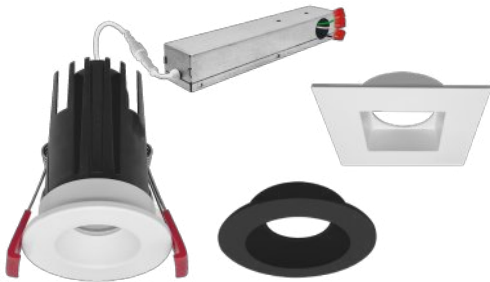
We are located between the  
5 Interstate and 134 Freeway.



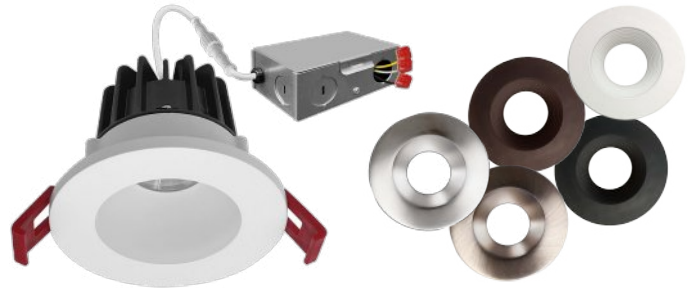
# RECESSED LIGHTS

## 2 INCH LED TRIMS

All 1-2" lights are 5-Color  
(2700K/3000K/3500K/4000K.5000K)



**1" LED Canless Trim**  
7W = 50W Halogen  
Finishes in White and Black  
Square and Round



**2" LED Canless Trim**  
8W = 50W Halogen  
15W = 100W Halogen  
Finishes in White, Black, Satin Nickel,  
Bronze, and Chrome / Baffle and Smooth



**2" LED Canless Gimbal Trim**  
5W = 35W Halogen  
Finishes in White and Black  
12V Model Available



**2" LED Trim**  
9W = 50W Halogen



**2" LED Gimbal Trim**  
9W = 50W Halogen

## 3 INCH LED TRIMS



**3" LED Smooth**  
9W = 60W Incandescent  
Tri-Color  
(3000K/4000K/5000K)



**3" LED Black**  
10W = 60W Incandescent  
5-Color (2700K/3000K/  
3500K/4000K/5000K)



**3" LED Square**  
9W = 60W Halogen  
3000K/4000K  
5000K



**3" LED Adjustable**  
9W = 75W Halogen  
Tri-Color  
(3000K/4000K/5000K)  
Finishes in White,  
Black, and Bronze

# RECESSED LIGHTS

## 4 INCH LED TRIMS



**4" LED Smooth**  
6W/8W/10W =  
75W Incandescent  
12V Model Available  
5-Color (2700K/3000K/  
3500K/4000K/5000K)  
Available in 120-277V  
w/ 0-10V Dimming



**4" LED Baffle**  
6W/8W/10W =  
50W Incandescent  
5-Color (2700K/3000K/  
3500K/4000K/5000K)  
Available in 120-277V  
w/ 0-10V Dimming



**4" LED Square**  
10W = 75W Incandescent  
12V Model Available  
Smooth, Baffle, and Adjustable Available  
2700K/3000K/3500K/4000K/5000K



**4" LED Adjustable**  
10W = 50W Halogen  
12V Model Available  
Scoop, Flat, and Eyeball Available  
2700K/3000K/3500K/4000K/5000K

## 5-6 INCH LED TRIMS



**5-6" LED Smooth**  
7W/10W/14W =  
120W Incandescent  
5-Color (2700K/3000K/  
3500K/4000K/5000K)  
Available in 120-277V  
w/ 0-10V Dimming



**5-6" LED Baffle**  
7W/10W/14W =  
120W Incandescent  
5-Color (2700K/3000K/  
3500K/4000K/5000K)  
Available in 120-277V  
w/ 0-10V Dimming



**5-6" LED Square**  
15W = 75W Incandescent  
Smooth and Baffle Available  
5-Color (2700K/3000K/  
3500K/4000K/5000K)



**5-6" LED Adjustable**  
16.5W = 100W Incandescent  
Scoop, Flat, and Eyeball  
Available  
5-Color (2700K/3000K/  
3500K/4000K/5000K)

# RECESSED LIGHTS

## LOW VOLTAGE RECESSED LIGHTS



**4" Nora Round Adjustable Cone**  
12V AC 11W = 1,200 lm



**4" Nora Square Round Aperture**  
12V AC 11W = 1,150 lm

All Nora lights are available in 2700K, 3000K, 3500K, 4000K, 5000K, and Comfort Dim (2000K – 3100K). Finishes in White, Black, Bronze, Champagne and Haze. Beam angles can be switched from 22°, 26°, 38°, 63°, and 73°.



**1" Round Down Light**  
12V 6W = 500 lm  
3000K  
Finishes in White, Black, and Bronze  
Square and Round



**2" Eyeball Down Light**  
12V 5W = 350 lm  
3000K  
Finishes in Black and White



**4" Gimbal Down Light**  
12V 8.5W = 620 lm  
2700K/3000K  
4000K/5000K  
Finishes in White, Black, and Bronze



**4" Round Retrofit**  
12V AC 11W = 800 lm  
5-Color (2700K/3000K/  
3500K/4000K/5000K)



**4" Square Retrofit**  
12V 10W = 600 lm  
5-Color (2700K/3000K/  
3500K/4000K/5000K)  
Finishes in White, Black, and Bronze



**4" & 6" Slim Panel Light**  
24V 4" 8W = 550 lm  
24V 6" 12W = 800 lm  
Tri-Color  
(3000K/4000K/6000K)

# RECESSED LIGHTS

## COMMERCIAL LIGHT SET



### 4", 6", 8", 10" Commercial Light

4" = 19W - 1,500 lm  
6" = 30W - 3,000 lm  
8" = 36W - 3,900 lm  
10" = 38W - 4,150 lm

2700K/3000K/3500K/4000K/5000K



### 4", 6", 8", 10" Modular Commercial Light

20W = 1,500 lm  
30W = 2,400 lm  
56W = 5,000 lm

2700K/3000K/3500K/4000K/5000K  
Finishes in White and Haze

## COMMERCIAL LIGHT ENGINES



### LED Light Engine

18W = 1,606 - 1,639 lm  
27W = 1,800 - 1,950 lm  
40W = 3,346 - 3,447 lm  
54W = 4,500 lm

3000K/4000K/5000K

### Commercial Trims

Available in 6", 8", and 10"

## COMMERCIAL HOUSINGS



### Housing for Commercial Trims

Available in 4", 6", 8", and 10"

# RECESSED LIGHTS

## SLIM PANEL CAN-LESS RECESSED LIGHTS



### 3", 4", 6", and 8" Can-Less LED Slim Panel Light

3" 8W = 35W Incandescent  
 4" 8W/10W/12W = 65W Incandescent  
 6" 9W/12W/15W = 100W Incandescent  
 8" 16W/19W/22W = 120W Incandescent  
 5-Color (27K/30K/35K/40K/50K)

24V Model Available

Snap-on finish in Black, White, and Bronze  
 Square and Round Available



### 4" and 6" Can-Less LED Fire-Rated Slim Panel Light

4" 12W = 60W Incandescent  
 6" 15W = 75W Incandescent

5-Color (27K/30K/35K/40K/50K)

Snap-on finish in Black, White, and Bronze

## ADJUSTABLE CAN-LESS RECESSED LIGHTS



### 3" Can-Less LED Gimbal Light

8W = 50W Halogen

2700K/3000K/4000K/5000K

Finishes in White, Black, and Satin Nickel

Square and Round Available



### 4" Can-Less LED Scoop Light

9W = 60W Incandescent  
 5-Color (27K/30K /35K/40K/50K)

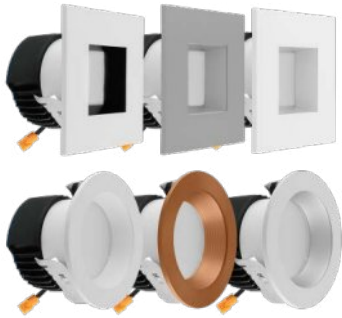


### 4" Can-Less LED Eyeball Light

12W = 100W Incandescent  
 2700K/3000K  
 4000K/6000K

# RECESSED LIGHTS

## CUSTOM LED TRIMS



### 4" Custom LED Retrofit

12W = 75W Incandescent

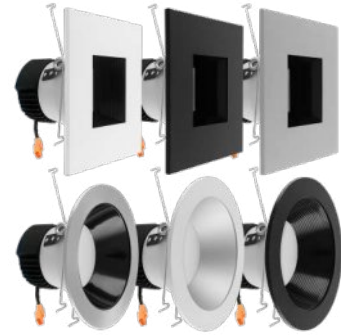
17W = 120W Incandescent

2700K/3000K/3500K/4000K

Finishes in White, Copper,  
Satin Nickel, Black, Bronze, and Haze

Reflector finish is also customizable

Smooth and Baffled, Square and Round



### 6" Custom LED Retrofit

17W = 120W Incandescent

2700K/3000K/3500K/4000K

Finishes in White, Copper,  
Satin Nickel, Black, Bronze, and Haze

Reflector finish is also customizable

Smooth and Baffled, Square and Round



### 4" Adjustable Custom LED Retrofit

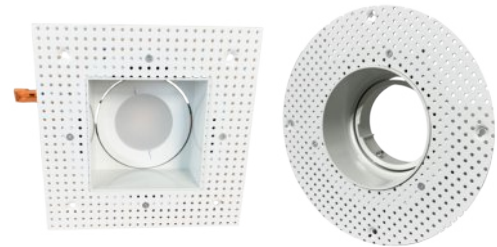
12W = 75W Incandescent

2700K/3000K/3500K/4000K

Finishes in White, Black

Satin Nickel, Bronze

19° and 38° Beam Angles



### 4" Mud-In Trimless LED Retrofit

9W = 65W Incandescent

5-Color (2700K/3000K/3500K/4000K/5000K)

Square and Round

Fits in Regular 4" Can

### 4" Round & Square Retrofit Conversion Kits

9.5W = 750 lm - 12.5W = 1000 lm

14.3W = 1250 lm - 14.3W = 1500 lm

2700K/3000K/3500K/4000K

Warm to Dim (1800K - 3000K)

15°, 25°, 40°, 60°, and 90° Beam Angles

Finishes in White, Black,

Bronze, Clear Diffuse, and Custom Colors

Adjustable model available



Converts existing 6" housings to 4"

# RECESSED LIGHTS

## NORA® PEARL LED RETROFITS



**4" Round Adjustable Cone**  
12W = 950 - 1,275 lm



**4" Round Reflector & Aperture**  
12W = 900 - 1,225 lm



**4" Square Reflector & Round Aperture**  
12W = 900 - 1,194 lm



**4" Square Adjustable Cone**  
12W = 950 - 1,275 lm



**4" Round Fixed Pinhole**  
12W = 750 - 989 lm



**4" Round Adjustable Gimbal**  
12W = 800 - 1,091 lm

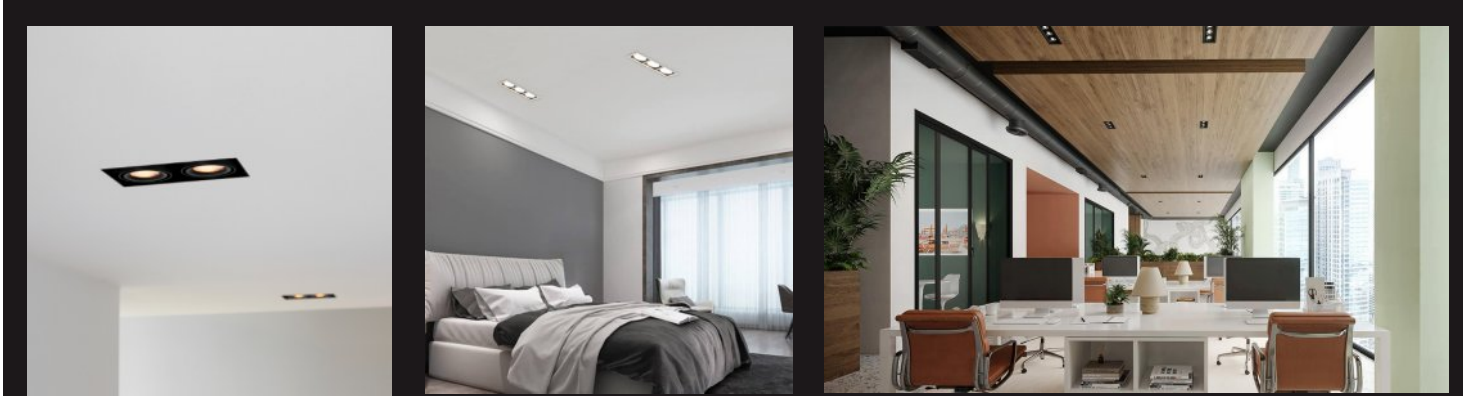
**4" Round Bullnose**  
12W = 950 - 1258 lm



All lights are available in 2700K, 3000K, 3500K, 4000K, and Comfort Dim (2000K - 3100K). Finishes in White, Black, Bronze, and Metal. Reflectors in Black, Haze, and Specular Clear. Beam angles can be switched from 29°, 43°, 62°, and 73°.

# RECESSED LIGHTS

## NORA® NMIO MULTIPLE HEAD DOWNLIGHTS



NMIO Retrofits come in a Fixed Downlight, Adjustable Gimbal, Adjustable Snoot, and Wall Wash. Finishes in White, Haze, and Black. Beam angles can be switched from 25°, 38°, and 60°. All lights are available in 2700K, 3000K, 3500K, 4000K, 5000K, and Comfort Dim (2000K – 3100K).



Flanged



Trimless



### 1 Head Flanged/Trimless Downlight

12W = 1000 lm



Flanged



Trimless



### 2 Head Flanged/Trimless Downlight

24W = 2000 lm



Flanged



Trimless



### 3 Head Flanged/Trimless Downlight

36W = 3000 lm

# RECESSED LIGHTS

## NORA® IOLITE LED DOWNLIGHTS



**2" Round Trimless Adjustable**  
14W = 800 / 1000 lm



**4" Square Trimless**  
14W = 800 / 1000 lm



**4" Round Trimless**  
20W / 24W / 28W = 2050 - 2800 lm



**4" Square Trimless Adjustable**  
14W = 800 / 1000 lm



**4" Round Trimless Adjustable**  
14W / 20W / 24W = 800 - 2000 lm



**Mud Rings**

All lights are available in 2700K, 3000K, 3500K, 4000K, 5000K, and Comfort Dim (2000K – 3100K).  
Finishes in White, Black, Bronze, Champagne and Haze.  
Reflectors in Black, Haze, and Champagne.  
Beam angles can be switched from 10°, 29°, 43°, 62°, and 73°.

# RECESSED LIGHTS

## TRIMLESS



**1 Head Flangeless LED Lights**  
15W = 1,200 lm



**2 Head Flangeless LED Lights**  
30W = 2,400 lm



**3 Head Flangeless LED Lights**  
45W = 3,600 lm



**4 Head Flangeless LED Lights**  
60W = 4,800 lm

All Trimless lights are 5-Color (2700K / 3000K / 3500K / 4000K / 5000K).  
Triac and 0-10V dimmable. Beam angles in 15°, 25°, and 39°.

## TRIMS



**Baffle Trims**



**Smooth Trims**



**Adjustable Trims**



**Reflective Trims**

Available in 2", 3", and 4". And a variety of finishes.

# RECESSED LIGHTS

## LED T24 CANS



2" IC Can NC



2" Can RM



3" IC Can NC



3" IC Can RM



4" IC Can NC



4" IC Can RM



6" IC Can NC



6" IC Can RM



Shallow 4"  
IC Can NC



Shallow 4"  
IC Can RM



Shallow 6"  
IC Can NC



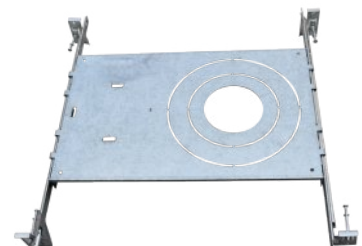
Shallow 6"  
IC Can RM



Fire Rated 4"  
IC Can NC



Fire Rated 6"  
IC Can NC



Can-Less 2", 4", 6"  
New Construction

# LED BULBS

## A19 BULBS



**Frosted A19 LED Bulb**  
 9W = 60W Incandescent  
 5-Color (27K/30K/  
 35K/40K/50K)



**Frosted A21 LED Bulb**  
 15W = 60W Incandescent  
 5-Color (27K/30K/  
 35K/40K/50K)



**Filament A19 LED Bulb**  
 8.5W = 60W Incandescent  
 10W = 100W Incandescent  
 2700K/3000K  
 12V - 3000K Only



**RGB+CCT LED Bulb**  
 9W = 60W Incandescent  
 3000K-6000K + RGB  
 Compatible with  
 Mi Light System

## BR BULBS

5-Color (2700K/  
 3000K/3500K/  
 4000K/5000K)



**BR20 LED Bulb**  
 6W = 50W Incandescent

5-Color (2700K/  
 3000K/3500K/  
 4000K/5000K)



**BR30 LED Bulb**  
 8.5W = 75W Incandescent

5-Color (2700K/  
 3000K/3500K/  
 4000K/5000K)



**BR40 LED Bulb**  
 13W = 100W Incandescent

## PAR BULBS

2700K/  
 3000K/3500K/  
 4000K/5000K



**T24 PAR16 LED Bulb**  
 7W = 50W Incandescent

3000K



**PAR16 LED Bulb**  
 6.5W = 50W Halogen

5-Color (2700K/  
 3000K/3500K/  
 4000K/5000K)



**PAR20 LED Bulb**  
 7W = 50W Halogen

5-Color (2700K/  
 3000K/3500K/  
 4000K/5000K)



**PAR30 LED Bulb**  
 10W = 75W Halogen

5-Color (2700K/  
 3000K/3500K/  
 4000K/5000K)



**PAR38 LED Bulb**  
 13W = 100W Halogen

# LED BULBS

## CANDELABRA BULBS

All bulbs available from 1800K to 5000K.



**Flame Tip  
E12 Candelabra**  
3.3W = 40W Incandescent  
5.5W = 60W Incandescent

**12V Available**  
**Torpedo  
E12 Candelabra**  
4W = 40W Incandescent  
6W = 60W Incandescent



**E11  
Mini Light**  
4W = 40W Incandescent



## GLOBE BULBS

**G16 Globe  
LED Bulb**  
4W = 40W Incandescent  
5.5W = 60W Incandescent  
Frosted and Clear  
E26 and E12



**G25 Globe  
LED Bulb**  
4W = 40W Incandescent  
6W = 60W Incandescent  
Frosted and Clear



## FILAMENT BULBS

**T10 LED Bulb**  
4W = 40W Incandescent



**T30 LED Bulb**  
5W = 40W Incandescent



**S11 Lamp**  
1W = 10W Incandescent



**Edison LED Bulb**  
4W = 40W Incandescent



# LED BULBS

## TUBE LIGHTS



### 2ft and 3ft T8 Bulb

2ft 8W = 1,000 lm

3ft 12W = 1,500 lm

5-Color (3000K/3500K/  
4000K/5000K/6500K)

### 4ft and 8ft Selectable Wattage T8 Bulb

4ft = 10W/15W/18W/22W/24W

8ft = 24W/30W/35W/45W/50W

6-Color (3000K/3500K/4000K  
5000K/5700K/6500K)

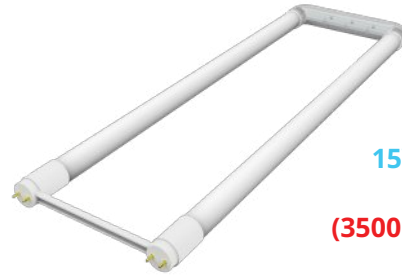
Available in Clear and Frosted



### 4ft T5

20W = 3,200 lm

4000K/5000K



### U Lamp

15W = 1,950 lm

Tri-Color

(3500K/4000K/5000K)

### 360° High Output LED

### 120-277V Sign Tube Light

16" 10W = 1,200 lm - 22" 15W = 1,800 lm - 28" 18W = 2,160 lm

34" 20W = 2,400 lm - 40" 24W = 2,880 lm - 46" 30W = 3,600 lm

58" 40W = 4,800 lm - 62" 40W = 4,800 lm - 70" 45W = 5,400 lm

82" 50W = 6,000 lm - 94" 60W = 7,200 lm - 106" 60W = 7,200 lm

115" 70W = 8,400 lm - 118" 70W = 8,400 lm

3000K - 6500K



## CORN BULBS



### Selectable Wattage

### Corn Bulbs E26/EX39

18W/27W/36W = 100W HID

36W/45W/54W = 150W HID

54W/63W/80W = 250W HID

80W/100W/120W = 400W HID

Tri-Color (3000K/4000K/5000K)



### 180° Selectable

### Wattage Corn Bulbs

36W/45W/54W = 175W HID

75W/95W/115W = 400W HID

5000K

## GU24 BULBS



### LED A19 GU24

9W = 60W Incandescent

Ballast Compatible

2700K/3000K/3500K/4000K

## G24Q BULBS



### 4 Pin R30 LED Bulb

16W = 42W CFL

Ballast Compatible

Tri-Color (2700K/3500K/4000K)

# LED BULBS

## MR16 BULBS

Bulbs available in 2700K - 5000K



**MR11 LED Bulb**  
2.5W = 20W Halogen



**Glass MR16 LED Bulb**  
5W = 40W Halogen



**MR16 LED Bulb**  
7W = 50W Halogen



**RGBW MR16 LED Bulb**  
4W = 35W Halogen



**5-Color MR16 LED Bulb**  
5W = 35W Halogen  
8W = 50W Halogen  
15°, 30°, 45°, and 60°

## G4 BULBS



**Silicone G4 LED**  
1.5W = 20W Halogen  
2.5W = 30W Halogen  
3.5W = 35W Halogen



**120V G8 LED Lamp**  
4W = 40W Halogen

## GU10 BULBS



**5-Color GU10 LED Bulb**  
6.5W = 50W Halogen



**RGBW GU10 LED Bulb**  
4W = 35W Halogen

## LANDSCAPE BULBS

## G9 BULBS



**S8 Bayonet LED Lamp**  
3W = 35W Halogen



**Wedge Lamp**  
1.5W = 15W Halogen



**PAR36 Lamp**  
15W = 100W Halogen



**G9 LED Bulb**  
5W = 40W Halogen

# INDOOR LED FIXTURES

## CLOUD LIGHT



### LED Cloud Fixture

12" 18W = 1,260 lm  
14" 20W = 1,500 lm\*  
16" 23W = 1,400 lm

5-Color (2700K/3000K/  
3500K/4000K/5000K)

\*Built-in Motion Sensor



### LED Cloud Fixture w/ Satin Nickel Finish

12" 15W = 800 lm  
14" 22W = 1,000 lm  
16" 23W = 1,200 lm

3000K/4000K

## SURFACE MOUNT



### LED Cusp Light

4" 10W = 650 lm  
6" 15W = 1,000 lm  
8" 18W = 1,400 lm

5-Color (2700K/3000K/  
3500K/4000K/5000K)

Finishes in White, Bronze,  
and Satin Nickel



### Trimless Surface LED Light

5" 12W = 850 lm  
7" 15W = 1,100 lm  
9" 18W = 1,300 lm  
11" 20W = 1,500 lm

5-Color (2700K/3000K/  
3500K/4000K/5000K)

Battery Back Up Available



### Round Slim LED Disk Light

5" 10W = 650 lm  
7" 15W = 1,000 lm  
12" 22W = 1,450 lm  
15" 30W = 2,000 lm  
19" 35W = 2,200 lm  
24" 40W = 2,700 lm

5-Color (2700K/3000K/  
3500K/4000K/5000K)

Finishes in Black,  
Bronze, and Brushed Nickel

Battery Back Up Available



### Square Slim LED Disk Light

5" 10W = 650 lm  
7" 15W = 1,000 lm  
12" 22W = 1,450 lm

5-Color (2700K/3000K/  
3500K/4000K/5000K)

Finishes in Black,  
Bronze, and Brushed Nickel



### Bi-Level Motion Sensor Surface LED Light

5" 12W = 750 lm  
7" 13W = 1,050 lm  
12" 23W = 1,900 lm

5-Color (2700K/3000K/  
3500K/4000K/5000K)



### Built-in LED Motion Sensor Ceiling Light

4" 10W = 600 lm  
6" 15W = 1,000 lm

Tri-Color  
(3000K/4000K/5000K)

# INDOOR LED FIXTURES

## UFO HIGH BAY LIGHT

All High Bay Lights are 0-10V dimmable. Motion sensors are also available as add-ons for all models.



**Multi-Watt 11" UFO High Bay Light**

100W = 15,039 lm  
120W = 17,510 lm  
150W = 21,236 lm

Tri-Color (3500K/4000K/5000K)  
Finishes in Black and White



**Multi-Watt 13" UFO High Bay Light**

180W = 26,669 lm  
200W = 29,318 lm  
240W = 33,840 lm

Tri-Color (3500K/4000K/5000K)  
Finishes in Black and White



**High Output Multi-Watt 18" UFO High Bay Light**

300W = 50,400 lm  
350W = 58,800 lm  
400W = 67,000 lm

Tri-Color (3500K/4000K/5000K)



**Aluminum Reflector**



**PC Reflector w/ Lens**



**Wire Guard**



**Trunnion Mount**



**Motion Sensor**

## LINEAR HIGH BAY LIGHT



**1' and 2' Adjustable Linear LED High Bay Light**

1' 60W/110W/165W = 9,000 - 24,750 lm  
2' 180W/200W/220W = 27,000 - 33,000 lm  
2' 260W/290W/320W = 39,000 - 48,000 lm  
4-Color (3000K/3500K/4000K/5000K)



**2' and 4' High Output Linear LED High Bay Light**

380W/410W/440W = 57,000 - 66,000 lm  
4-Color (3000K/3500K/4000K/5000K)

**Surface Mount**



**Motion Sensor**



**Suspension Kit**



# INDOOR LED FIXTURES

## INTEGRATED TUBES



### T5 LED Surface Mount Light

4' 30W = 3,600 lm

8' 60W = 7,200 lm

4-Color (30K/35K/40K/50K)

Includes Mounting Clips and Linking Connectors

Available in Clear And Frosted

## STRIP LIGHTS



### LED Surface Mount Fixture

4' 40W = 4,400 lm

8' 85W = 9,000 lm

Tri-Color (30K/40K/50K)



### LED Commercial Strip Light

2' 20W = 2,600 lm

4' 50W / 65W / 80W = 6,500 - 10,400 lm

8' 70W / 85W / 100W = 9,100 - 13,000 lm

4-Color (30K/35K/40K/50K)



### 3-Power LED Vapor Light Fixture

2' 15W / 20W / 25W = 2,250 - 3,750 lm

4' 30W / 40W / 50W = 4,500 - 7,500 lm

8' 60W / 80W / 100W = 9,000 - 15,000 lm

5-Color (30K/35K/40K/50K/65K)



### Wrap Around LED Fixture

2' 15W / 20W / 25W = 1,850 - 3,250 lm

4' 30W / 40W / 50W = 3,900 - 6,500 lm

5-Color (30K/35K/40K/50K/65K)



### Linkable LED Mini Strip Fixture

4' 20W / 30W / 40W = 3,000 - 6,000 lm

8' 40W / 60W / 80W = 6,000 - 12,000 lm

5-Color (30K/35K/40K/50K/65K)



### 3-Power Eco LED Linear Fixture

4' 30W / 40W / 50W = 3,900 - 6,500 lm

5-Color (30K/35K/40K/50K/65K)

Finishes in Black and White

Integrated Microwave Sensors and Battery Back-ups are available for most LED Strip Light products. Microwave Sensors can be programmed to dim when motion is detected. All linear lights are 0-10V Dimmable.



# INDOOR LED FIXTURES

## CONTINUOUS LINEAR LIGHT

### Linkable Linear Fixture

- 1' 10W = 1,100 lm
- 2' 20W = 2,200 lm
- 3' 30W = 3,300 lm
- 4' 40W = 4,693 lm
- 6' 60W = 6,600 lm
- 8' 80W = 8,800 lm



Linear Fixtures and Links can be surface mounted or suspended. They are 0-10V Dimmable. Finishes in White, Black, and Silver. 4-Color selectable in 3000K, 3500K, 4000K, and 5000K.

## CONTINUOUS LINEAR LIGHT LINKS



### L Linear Fixture

- 1' 20W = 2,200 lm
- 2' 40W = 4,400 lm



### Y Linear Fixture

- 3" 6W = 660 lm
- 2' 60W = 6,600 lm

### T Linear Fixture

- 2" 7.7W = 854 lm

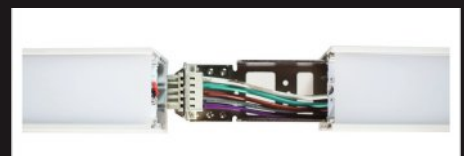


### X Linear Fixture

- 2" 9.4W = 854 lm



Continuous Linear Fixtures can be seamlessly linked without any gaps between fixtures. Continuous fixtures are easy to open for internal connections. These lights can also be surface mounted or suspended.



# INDOOR LED FIXTURES

## VANITY LIGHTS

### 24" Square Adjustable Swivel Vanity Light

21W = 2,700 lm

5-Color (2700K/3000K/3500K/4000K/5000K)

Finishes in Black, Chrome, and Brushed Nickel



### 29" Contemporary Round Vanity Light

21W = 2,700 lm

5-Color (2700K/3000K/3500K/4000K/5000K)

Finishes in Black, Gold, and Brushed Nickel

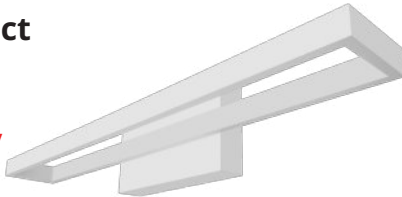


### 24" Modern Indirect Vanity Light

21W = 2,700 lm

5-Color (2700K/3000K/3500K/4000K/5000K)

Finishes in White, Black, and Brushed Nickel



### 24" Up and Down Vanity Light

21W = Up - 900 lm

Down - 900 lm

5-Color (2700K/3000K/3500K/4000K/5000K)

Finishes in Black, and Brushed Nickel



### 24" Modern Indirect Vanity Light

25W = 1,750 lm

Tri-Color (3000K/4000K/5000K)

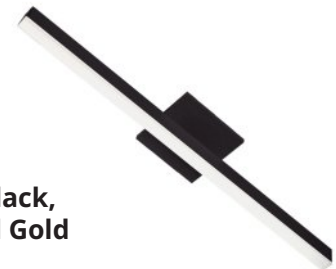


### 24" Linear Vanity Light

15W = 1,200 lm

3000K

Finishes in White, Black, Brushed Nickel, and Gold



### 3-Power Contemporary Square Vanity Light

21.5" 9W / 15W / 19W = 800 - 1,600 lm

33" 19W / 23W / 30W = 1,600 - 2,600 lm

45" 22W / 29W / 36W = 2,200 - 3,000 lm

5-Color (2700K/3000K/3500K/4000K/5000K)

Finishes in Black and Brushed Nickel



# INDOOR LED FIXTURES

## TROFFER LIGHTS

### 5-Power LED Troffer

2x2 20W / 25W / 30W / 35W / 45W = 2,500 - 4,900 lm

2x4 20W / 25W / 30W / 35W / 45W = 2,500 - 4,900 lm

5-Color (3000K/3500K/4000K/5000K/6500K)



### 3-Power Flat LED Troffer

2x2 25W / 30W / 35W = 2,750 - 3,850 lm

2x4 30W / 40W / 50W = 3,300 - 5,500 lm

5-Color (3000K/3500K/4000K/5000K/6500K)

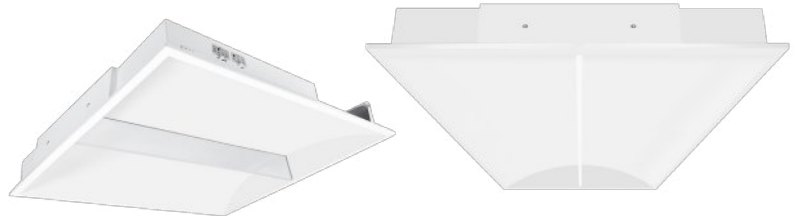


### 3-Power Center Basket LED Troffer

2x2 24W / 35W / 40W = 2,880 - 4,800 lm

2x4 30W / 40W / 50W = 3,600 - 6,000 lm

4-Color (3000K/3500K/4000K/5000K)



## TROFFER ACCESSORIES

2X2 Dry Wall Kit



2X4 Dry Wall Kit



2X2 Surface Mount Kit



2X4 Surface Mount Kit



Battery Back-Up



PIR Motion Sensors



Suspension Kits

# INDOOR LED FIXTURES

## PANEL LIGHTS

**3-Power 2X2 LED Panel Light**  
 20W / 30W / 40W = 2,200 - 4,400 lm  
 30W / 40W / 50W = 3,700 - 6,250 lm  
 5-Color (3000K/3500K/  
 4000K/5000K/6500K)  
 Snap-On finish available in Black  
 Sensor Available



**3-Power 1X4 LED Panel Light**  
 20W / 30W / 40W = 2,200 - 4,400 lm  
 5-Color (3000K/3500K/  
 4000K/5000K/6500K)  
 Snap-On finish available in Black  
 Sensor Available



**3-Power 2X4 LED Panel Light**  
 30W / 40W / 50W = 3,750 - 6,250 lm  
 45W / 55W / 65W = 5,625 - 8,125 lm  
 5-Color (3000K/3500K/  
 4000K/5000K/6500K)  
 Snap-On finish available in Black  
 Sensor Available



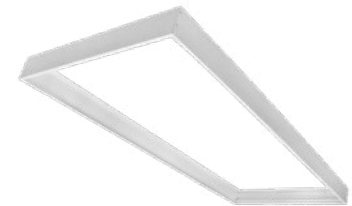
## PANEL ACCESSORIES



2X2 Surface Mount Kit



1X4 Surface Mount Kit



2X4 Surface Mount Kit



2X2 Dry Wall Kit



1X4 Dry Wall Kit



2X4 Dry Wall Kit



Battery Back-Up



PIR Motion Sensors



Suspension Kits

# INDOOR LED FIXTURES

## SURFACE MOUNT PANEL LIGHTS



**1x1 Surface Mount LED Panel Light**

18W = 1,500 lm  
5-Color (3000K/3500K/  
4000K/5000K/6500K)  
Triac Dimmable



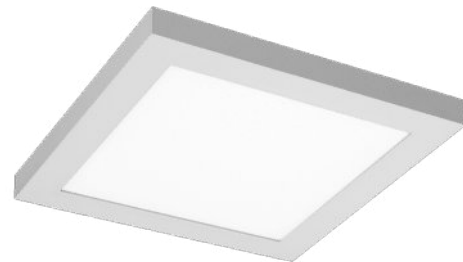
**1x2 Surface Mount LED Panel Light**

22W = 2,200 lm  
5-Color (3000K/3500K/  
4000K/5000K/6500K)  
Triac Dimmable



**1x4 Surface Mount LED Panel Light**

40W = 4,000 lm  
Tri-Color  
(3000K/4000K/5000K)  
0-10V Dimmable



**2x2 Surface Mount LED Panel Light**

40W = 4,000 lm  
Tri-Color  
(3000K/4000K/5000K)  
0-10V Dimmable

**2x4 Surface Mount LED Panel Light**

50W = 5,000 lm  
Tri-Color  
(3000K/4000K/5000K)  
0-10V Dimmable



## LED FRAME PANEL LIGHTS

### 3-Power

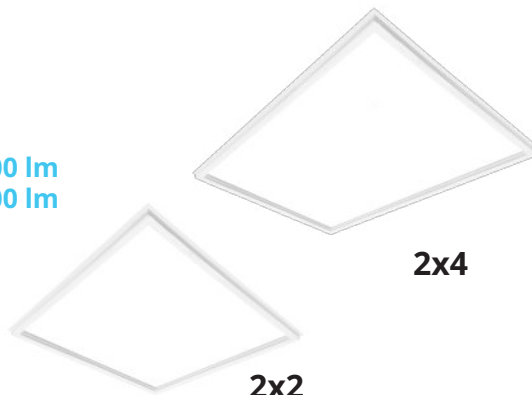
#### LED Frame Panel Lights

2x2 16W / 24W / 32W = 2,000 - 4,000 lm

2x4 24W / 32W / 45W = 3,000 - 5,000 lm

Tri-Color  
(3500K/4000K/5000K)

0-10V Dimmable



2x2

2x4



# OUTDOOR LED FIXTURES

## WALL PACK



**5-Power Traditional Wall Pack**  
 20W/30W/40W/50W/60W = 2,300 - 8,400 lm  
 40W/60W/80W/100W/120W = 5,600 - 16,800 lm



**5-Power Full-Cutoff Wall Pack**  
 16W/32W/48W/64W/80W = 2,320 - 11,600 lm  
 30W/60W/90W/120W/150W = 4,350 - 21,750 lm



**5-Power Full-Cutoff Flat Wall Pack**  
 20W/30W/40W/50W/60W = 2,900 - 8,700 lm  
 80W/90W/100W/110W/120W = 11,600 - 17,400 lm



**3-Power Adjustable Wall Pack**  
 10W/20W/30W = 1,450 - 4,350 lm  
 30W/40W/50W = 4,350 - 7,250 lm  
 60W/70W/80W = 8,700 - 11,600 lm



**3-Power Semi-Circle Up/Down Wall Pack**  
 48W/64W/80W = 6,960 - 11,600 lm



**5-Power Semi-Circle Wall Pack**  
 48W/64W/80W = 6,480 - 10,800 lm

All lights are Tri-Color (3000K / 4000K / 5000K) and 0-10V Dimmable. Finishes in Bronze, Black, and White. Battery back-up version available.



**5-Power Slim Line Wall Pack**  
 30W/40W/60W = 3,900 - 7,800 lm  
 80W/100W/120W = 10,400 - 15,600 lm



**Mini Photocell Wall Pack**  
 20W = 2,860 lm



**Single Module Rotating Wall Pack**  
 25W = 3,600 lm



**3-Power Full Cut Off Wall Pack**  
 60W/80W/100W = 10,400 - 15,600 lm  
 Bronze and Black Finish

All lights are Tri-Color (3000K / 4000K / 5000K) and 0-10V Dimmable. Battery back-up version available.



# OUTDOOR LED FIXTURES

## FLOOD LIGHTS

**Slim Flood Lights  
w/ Selectable Photocell**

15W = 1,950 lm

30W = 3,900 lm

40W/50W/60W = 5,200 - 7,800 lm

60W/80W/100W = 8,100 - 13,500 lm

100W/120W/150W = 13,500 - 20,250 lm

0-10V Dimmable

Tri-Color (3000K/4000K/5000K)

Finishes in Bronze,  
Black, and White

Yoke and ½" Knuckle Mount



15W



30W



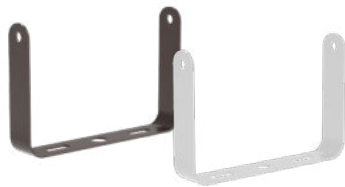
40W/50W/60W



60W/80W/100W



100W/120W/150W



## FLOOD LIGHT ACCESSORIES



**4 Inch Cover**  
Finishes in Bronze  
and White



**4 Inch Boxes**  
Finishes in Bronze  
and White



**½" Knuckle Mount  
Photocell**

# OUTDOOR LED FIXTURES

## POLE LIGHTS

### 5-Power LED Area Light

20W / 40W / 60W / 80W / 100W = 2,800 - 14,000 lm  
 70W / 90W / 110W / 130W / 150W = 10,150 - 21,000 lm  
 140W / 165W / 190W / 215W / 240W = 19,600 - 33,600 lm  
 200W / 225W / 250W / 275W / 300W = 28,000 - 42,000 lm  
 330W / 360W / 390W / 420W / 450W = 46,200 - 63,000 lm

Tri-Color (3000K/4000K/5000K)

Bronze finish



### 5-Power Multi Beam LED Area Light

50W / 75W / 100W / 125W / 150W = 7,500 - 22,500 lm  
 180W / 210W / 240W / 270W / 300W = 27,000 - 45,000 lm  
 310W / 340W / 370W / 400W / 430W = 46,500 - 64,500 lm

Tri-Color (3000K/4000K/5000K)

Finishes in Bronze, White, Black and Grey

Beam Type I, II, III, IV, and V

All Pole Lights have 480V and 0-10V dimming upgrade options.

## POLE LIGHT ACCESSORIES



Slip Fitter



Trunnion



Straight Arm Adjustable



Slip Fitter & Straight Arm



Wall Mount Adapter



PIR Bi-Level Motion Sensor



Photocell Sensor



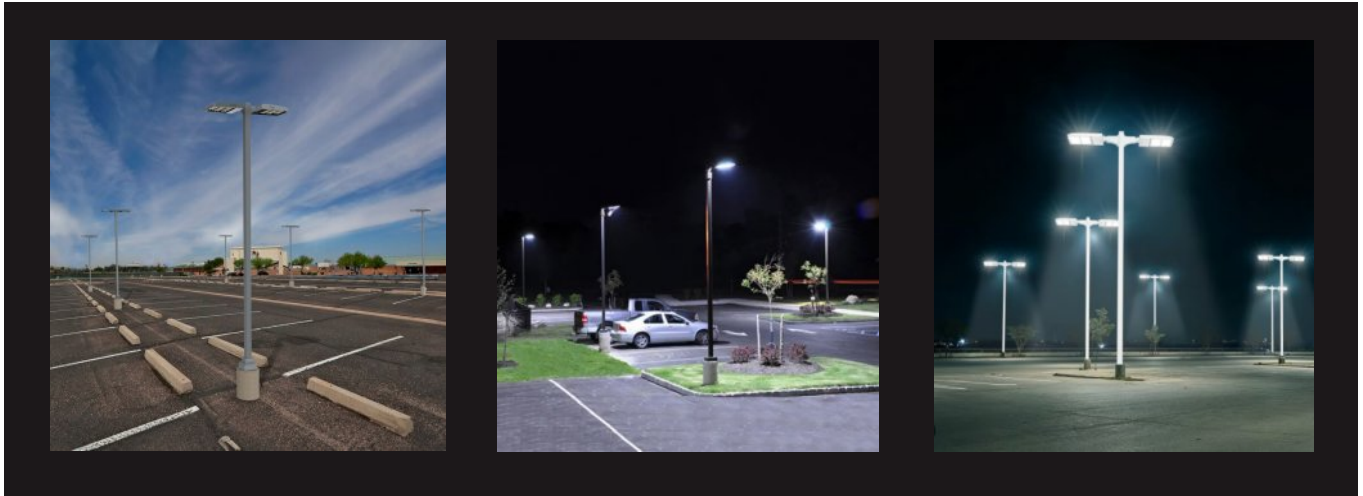
Microwave Sensor



Sensor Remote Controller

# OUTDOOR LED FIXTURES

## CUSTOM POLES



## BULL HORNS & ADAPTERS



Round Pole



Square Pole



Square Reducer



Round Reducer



Square 2-Head  
Bullhorn



Square 3-Head  
Bullhorn



Square 4-Head  
X Bullhorn

# OUTDOOR LED FIXTURES

## SECURITY LIGHTS



**2-Power 2 Head Security Light w/ Ambient Light & Sensor**  
16W / 25W = 2,080 - 3,250 lm  
Tri-Color (3000K/4000K/5000K)  
Finishes in Bronze, Black, and White



**2 Head Security Light w/ Motion Sensor**  
20W = 1,900 lm  
Tri-Color (3000K/4000K/5000K)  
Finishes in Bronze, Black, and White



**Square 2 Head Security Light w/ Ambient Light & Sensor**  
25W = 3,250 lm  
Tri-Color (3000K/4000K/5000K)  
Finishes in Black and White



**5-Color Square 2 Head Security Light w/ Motion Sensor**  
20W = 2,000 lm  
5-Color (2700K/3000K/3500K/4000K/5000K)  
Finishes in Black and White

## BULLET LIGHTS

**40° Bullet Light**  
1/2" Knuckle Mount  
25W = 3,500 lm  
Tri-Color (3000K/4000K/5000K)  
Finishes in Bronze and White  
0-10V Dimmable



# OUTDOOR LED FIXTURES

## WALL SCONCES



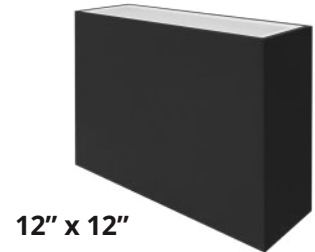
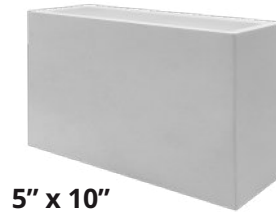
**Up/Down LED Light w/ Photocell**  
 4" 12W/16W/20W = 1,260 - 2,100 lm  
 6" 22W/29W/35W = 2,040 - 3,400 lm  
**Tri-Color (3000K/4000K/5000K)**  
 Finishes in Black, White, and Bronze



**Up/Down Edge-Lit LED Light w/ Photocell**  
 10W/20W/30W = 1,200 - 3,600 lm  
**Tri-Color (3000K/4000K/5000K)**  
 Finishes in Black, White, and Bronze

### Up/Down Modern Square Wall Sconce

5" x 5" 15W = 1,000 lm  
 5" x 10" 24W = 2,400 lm  
 12" x 12" 30W = 2,700 lm  
**5-Color (2700K/3000K 3500K/4000K/5000K)**  
 Finishes in White and Black



### Square Wall Sconce w/ Photocell

15W = 1,000 lm  
**Tri-Color (3000K/4000K/5000K)**



### Satin Nickel Wall Sconce

15W = 1,000 lm  
**Tri-Color (3000K/4000K/5000K)**



### LED Pocket Lantern Light w/ Photocell

12W = 1,100 lm  
**3000K**



### Jelly Jar LED Lantern Light w/ Photocell

12W = 800 lm  
**Tri-Color (3000K/4000K/5000K)**



# OUTDOOR LED FIXTURES

## CANOPY LIGHTS

### Tri-Color Round Canopy LED Light

22W/30W/38.5W/47W/55W = 3,190 - 7,975 lm

60W/70W/80W/90W/100W = 8,700 - 14,500 lm

Tri-Color (3000K/4000K/5000K)

Finishes in White and Bronze



### Tri-Color Square Canopy LED Light

25W/40W/60W = 3,625 - 8,700 lm

Tri-Color (3000K/4000K/5000K)

Finishes in White and Bronze



### Gas Station Canopy

150W = 18,000 lm

2-Color (4000K/5000K)



All Canopy lights are 0-10V Dimmable. Motion/daylight sensors and battery back-ups are available.

## BOLLARD LIGHTS



Cast Aluminum  
Bollards



Fiberglass  
Bollards



Stainless Steel  
Bollards



Steel  
Bollards



Small Low Voltage  
Bollards

# LANDSCAPE LIGHTING

## BUILT-IN LED UP LIGHTS

**Black Built-in  
LED Up Light**  
7W = 510 lm  
3000K/4000K  
5000K



**Small Built-in  
LED Up Light**  
5W = 350 lm  
3000K



**Bronze Built-in  
LED 45° Up Light**  
6W = 450 lm  
2700K/3000K  
4000K/5000K



**RGB+CCT Built-in  
LED Up Light**  
5W = 450 lm  
RGB+(27K-50K)  
Finishes in  
Bronze and Black



**Brass Built-In  
LED Up Light**  
5W = 430 lm  
3000K  
Finishes in Natural  
and Dark Brass



**4-Power Black  
LED Up Light**  
5W/10W/15W/20W  
= 460 - 1,760 lm  
Tri-Color  
(30K/40K/50K)



## UP LIGHTS

**Ringed Aluminum  
Up Light**  
Finishes in Black,  
Bronze, and White



**Cast Brass Spot  
Up Light**  
Antique Bronze  
only Finish



**Cast Brass Shroud  
Up Light**  
Bronze only Finish



**Slim Brass Up Light**  
Finishes in  
Bronze and Gun Metal



**Ringed Brass Up Light**  
Finishes in  
Bronze and Gun Metal



All Up Lights include a 5W LED Bulb, equivalent to a 35W Halogen. LED color comes in 2700K, 3000K, 4000K, and 5000K.

# LANDSCAPE LIGHTING

## PATH LIGHTS



**Pagoda Light**  
Includes LED Bulb  
1.5W = 10W Halogen  
3000K/4000K  
Finishes in Bronze, Black,  
Verde Green, and  
Stainless Steel



**Adjustable Path Light**  
Includes LED Bulb  
5W = 35W Halogen  
2700K/3000K/  
4000K/5000K  
Finishes in Bronze,  
Black, Gun Metal  
and Stainless Steel



**Mushroom  
Path Lights**  
1.5W = 20W Halogen  
3000K/4000K



**2 Head Path Light**  
Includes LED Bulb  
2 5W = 2 35W Halogen  
2700K/3000K/  
4000K/5000K  
Finishes in  
Bronze, Black,  
and Gun Metal



**Sleek Path  
Light**  
3W = 5W Halogen  
3000K



**Slim L-Shaped  
Path Light**  
3W = 25W Halogen  
3000K  
Finishes in Black and  
Stainless Steel



**Small Bronze  
Path Light**  
3W = 10W Halogen  
3000K



**Slim Angled  
Path Light**  
3W = 25W Halogen  
3000K  
Finishes in Black and  
Stainless Steel

# LANDSCAPE LIGHTING

## WELL LIGHTS



**6 1/8" Built-in LED Well Light**  
24W = 2000 lm  
Available in 12V/120V



**2" Built-in LED Brass Well Light**  
1.5W = 10W Halogen



**2" Built-in LED Well Light**  
3W = 35W Halogen  
Finishes in Black and Stainless Steel  
Available in Square And Round



**5" Brass 5 Way Directional Well Light**



**4" Stainless Steel Well Light**



**3 1/2" Bi-Directional Well Light**  
Finishes in Black and Stainless Steel



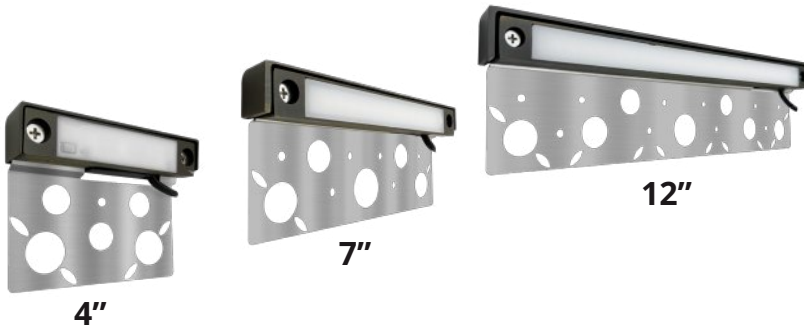
**3 1/2" Tri-Directional Well Light**  
Finishes in Black and Stainless Steel



MR16 Bulbs available from 2700K to 5000K.

# LANDSCAPE LIGHTING

## HARDSCAPE LIGHTS



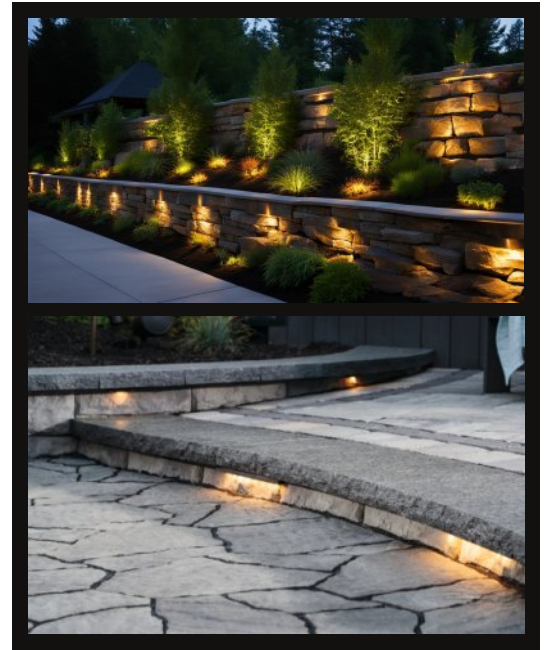
**Solid Brass LED  
Hardscape Light**

4" 2W = 200 lm

7" 3W = 200 lm

12" 4W = 200 lm

RGB+CCT (2700K-5000K)



## LANDSCAPE ACCESSORIES



14, 12, 10 AWG  
Landscape Wire



Photocell



Waterproof  
Wire Nuts



Timer

## LANDSCAPE POWER SUPPLIES



75W Landscape  
Power Supply



200W Digital Landscape  
Power Supply



150W Landscape  
Power Supply



300W & 600W  
Landscape  
Power Supply

# STEP LIGHTS

## BUILT-IN LED STEP LIGHT

### 1 1/2" LED Step Lights

12V 1W = 60 lm  
2850K/4000K



### Flat Open Lens Step Light

12V 3.5W = 315 lm  
Tri-Color  
(3000K/4000K/5000K)



### Smooth Sleek Step Light

12V 3.5W = 315 lm  
Tri-Color  
(3000K/4000K/5000K)



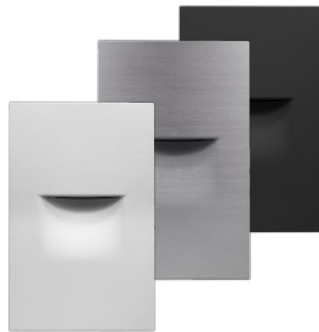
### Baffled Step Light

12V 3.5W = 315 lm  
Tri-Color  
(3000K/4000K/5000K)



### Vertical Smooth Step Light

120V 3W = 150 lm  
5-Color (2700K/3000K  
3500K/4000K/5000K)



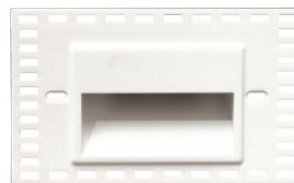
### Horizontal Smooth Step Light

120V 3W = 150 lm  
5-Color (2700K/3000K  
3500K/4000K/5000K)



### Vertical Mud-In Step Light

120V 3.3W = 72 lm  
2700K/3000K/Amber  
Blue/Red



### Horizontal Mud-In Step Light

120V 3.3W = 72 lm  
2700K/3000K/Amber  
Blue/Red

All rectangular Step Lights fit into single gang boxes.  
Finishes in White, Brushed Nickel, Black, and Espresso.

# STEP LIGHTS

## STEP LIGHTS



Brass Housing



Copper Plates

Available in Raw Copper



Steel Housing



Brass Plates

Available in  
Louver Window  
and Open Window

Available in Gun Metal, Antique Plates,  
Silver Plated, and Old Copper

### Recessed Step Light w/ Interchangeable Covers

4" 1W = 100 lm  
8" 2W = 200 lm  
3000K



Aluminum Plates

Available in Black, Bronze,  
Rusted, and White

## SURFACE MOUNT STEP LIGHTS



4" Brass Slim  
Built-in LED Step Light  
1W = 80 lm  
2700K/3500K



7" Brass Slim  
Built-in LED Step Light  
2W = 160 lm  
2700K/3500K



3-3/8" Brass  
Round Step Light  
1.5W = 100 lm  
3000K  
Finishes in Antique Bronze,  
Gun Metal, and Silver



8" Brass Louver  
Built-in LED Step Light  
5W = 450 lm  
3000K



8-13/16" Aluminum  
Built-in LED Step Light  
3W = 720 lm  
3000K/5000K  
Finishes in Black,  
Bronze, and Brown



4 3/4" Brass Dark Bronze  
Built-in LED Step Light  
2W = 240 lm  
2700K

# TRACK LIGHTS

## BUILT-IN LED TRACK LIGHTS



### COB LED Track Light

10W = 1,000 lm

20W = 2,000 lm

30W = 3,000 lm

5-Color (2700K/3000K  
/3500K/4000K/5000K)

Finishes in Black and White

Dimmable



### 3-Power LED Track Light

8W / 12W / 15W = 720 - 1,350 lm

5-Color (2700K/3000K  
/3500K/4000K/5000K)

Finishes in Black and White

Dimmable



### Cylinder LED Track Light

10.5W = 750 lm

Tri-Color

(3000K/4000K/5000K)

Finishes in Black and White

Dimmable



### Adjustable Beam LED Track Light

15W = 1,050 lm

5-Color (2700K/3000K  
3500K/4000K/5000K)

Black Finish

Dimmable

### Charge LED Track Light

10W = 865 lm

5-Color (2700K/3000K  
/3500K/4000K/5000K)

Finishes in Black, White,  
Brushed Nickel, and Dark Bronze

Dimmable



# TRACK LIGHTS

## TRACK HEADS



**Gimbal Track Heads**  
GU10, PAR20, PAR30, PAR38



**Cylinder Track Heads**  
GU10, PAR20, PAR30, PAR38



**Universal PAR  
Lamp Holder**  
PAR20, PAR30, PAR38

## TRACK SYSTEM



**Track**



**End Cap**



**Extender**

## CONNECTORS



**Conduit End Connector**



**Floating Canopy Connector**



**Live End Connector**

## COUPLINGS



**Coupling**



**T Coupling**



**X Coupling**



**Mini Coupling**



**L Coupling**

Track Heads, Tracks, Connectors and Couplings are available in White, Black, and Silver.

# TRACK LIGHTS

## MAGNETIC TRACK LIGHTS

A magnetic track lighting system features luminaires that easily click into place, allowing for flexible and customizable designs. The lights come in multiple beam and color options. The tracks can be suspended, flush and surface mounted. The system is ideal for accent, task, and general lighting in a wide range of spaces, from galleries and retail stores to offices and homes.



**Linear Track Light**  
Flood / Spot



**Fold Track Light**  
Flood / Spot



**Cylinder Spot Track Light**  
Flood / Spot



**Pendant Track Light**  
Flood / Spot



**L Shaped Track Light**  
Front-Face / Corner-Face



**Surface Mount Track**



**Recessed Mud-in Track**

# EMERGENCY LIGHTS

## EXIT SIGN



**Edge Lit LED Exit Sign W/ Battery Back-Up**  
Available in Red and Green Letters  
Clear 1 Face and Mirror 2 Face



**Bi-Color Combo LED Exit Sign W/ Battery Back-Up**  
Switch between Red and Green Letters  
Finishes in White and Black



**Bi-Color Slim Bug Eye Combo LED Exit Sign W/ Battery Back-Up**  
Switch between Red and Green Letters  
Finishes in White and Black



**Bi-Color LED Exit Sign W/ Battery Back-Up**  
Switch between Red and Green Letters  
1 and 2 Face  
Finishes in White and Black



**Recessed LED Exit Sign W/ Battery Back-Up**  
Available in Red and Green Letters  
1 and 2 Face



**Light Pipe Combo LED Exit Sign W/ Battery Back-Up**  
Available in Red and Green Letters  
1 and 2 Face  
Finishes in White and Black

## BUG EYES



**Slim LED Bug Eye w/ Battery Back-Up**  
Finishes in Black and White



**Mini LED Bug Eye w/ Battery Back-Up**  
Finishes in Black and White



**LED Bug Eye w/ Battery Back-Up**



**Waterproof LED Bug Eye w/ Battery Back-Up**

# UNDER CABINET LIGHTS

## 12V PUCK LIGHT



**UL LED Puck Light**  
**3W = 270 lm**  
**3000K/6000K/RGBW**  
 Finishes in White,  
 Black, and Aluminum



**Square UL LED Puck Light**  
**3W = 260 lm**  
**3000K/6000K**  
 Finishes in White,  
 Black, and Aluminum



**Slim LED Puck Light**  
**2.2W = 210 lm**  
**3000K/4000K/6000K**  
 Finishes in White,  
 Black, and Chrome

## 110V LINEAR LIGHT



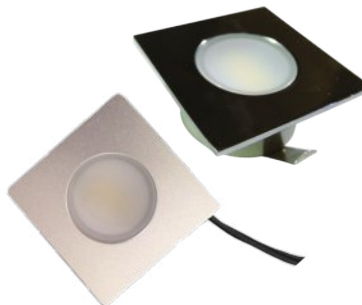
**Multi-Color LED Under Cabinet Light**  
**11" 6W = 350 lm - 14" 8W = 570 lm**  
**22" 10W = 750 lm - 28" 12W = 900 lm**  
**33" 15W = 1,050 lm - 42" 18W = 1,250 lm**  
**5-Color (2700K/3000K/3500K/4000K/5000K)**  
 Finishes in White and Bronze



## SMALL RECESSED LIGHT



**Round 1" LED Puck Light**  
**1W = 100 lm**  
**3000K/4000K**  
 Finishes in White,  
 Black, and Satin Nickel



**Square 1" LED Puck Light**  
**1.5W = 100 lm**  
**3000K/6000K**  
 Finishes in Aluminum  
 and Chrome



**2" UL LED Puck Light**  
**3W = 180 lm**  
**2700K/3000K/4000K/6000K**  
 Finishes in White,  
 Black, and Aluminum

# CUSTOM LED CHANNEL

## CUSTOM SEAMLESS LIGHTING

LED linear lighting systems deliver seamless illumination to any surface area. Our linear lighting systems are mostly used in undercabinet lighting but they can be used in offices, displays, bars, shelves, coves, and more. You can choose any channel or LED strip. You can pick practically any color between 1800K-6500K. We offer three types of color changing lights: RGB, RGBW, or RGB+CCT. Our knowledgeable LED technicians can answer all your questions and recommend the optimal solution for your project.

To begin building your Custom LED Undercabinet lighting system start with the following steps:

### STEP 1 TAKE MEASUREMENTS

Create a simple drawing of your cabinets and count all the separate pieces you will need. Make sure to account for all dividers. For some sections you might need multiple pieces. To get accurate measurements, measure from the side you plan to install the lights. (Front, back, or middle.) Then, write down all the measurements next to the relevant pieces.

### STEP 2 DETERMINE POWER SOURCES

On your drawing, mark down where the power sources are located. Then verify if the circuit is either 110V AC, 12V AC, or 12V DC.

### STEP 3 SELECT A LED STRIP

The kelvin chart on this page shows the different color temperatures available, you can even select color changing LED strips. The brightness of the LED strips, are at the recommended brightness level for undercabinet lighting. But lower and higher brightness levels are also available for different applications.

### STEP 4 SELECT AN ALUMINUM CHANNEL

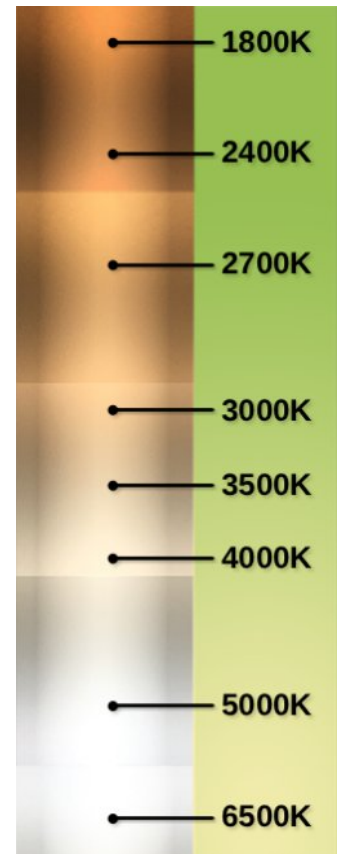
You can choose any of our Aluminum Channels for your custom LED linear lighting system. The only restriction is that RGBW LED strips don't fit inside Low Profile channels.

### STEP 5 SELECT A DIMMER OR CONTROLLER

Lastly, decide how you want to dim or control the lights. Whether you need a wall dimmer, a remote, or a color changing controller, we can find the right solution for you.



#### KELVIN CHART (K)



# LED STRIPS

## SPOTLESS COB STRIPS



**COB Spotless  
Free Cut LED Strip**  
Voltage: 12V/24V DC  
Brightness: 110 lm/ft  
Max Run: 32 ft  
Cuttable Unit:  
Cut Anywhere  
**2700K/3000K  
4000K/5000K**



**COB Spotless  
UL LED Strip**  
Voltage: 12V/24V DC  
Brightness: 250 lm/ft  
Max Run: 32 ft  
Cuttable Unit: 2 in  
**2700K/3000K  
4000K/5000K**

## COLOR CHANGING STRIPS



**2.2W/ft RGB LED Strip**  
Voltage: 12V/24V DC  
Brightness: 155 lm/ft  
Max Run: 16 ft  
Cuttable Unit: 4 in (12V)  
/ 8 in (24V)  
**Waterproof Available**



**4.5W/ft RGB LED Strip**  
Voltage: 12V/24V DC  
Brightness: 300 lm/ft  
Max Run: 16 ft  
Cuttable Unit: 4 in (12V)  
/ 2 in (24V)  
**Waterproof Available**



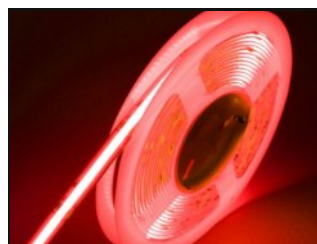
**4 in 1 4.5W/ft  
RGBW LED Strip**  
Voltage: 24V DC  
Brightness: 300 lm/ft  
Max Run: 16 ft  
Cuttable Unit: 5 in  
**3000K/5000K  
Waterproof Available**



**6W/ft SMD5050  
RGB LED Strip**  
Voltage: 24V DC  
Brightness: 400 lm/ft  
Max Run: 16 ft  
Cuttable Unit: 2 in



**3.6W/ft RGB  
COB LED Strip**  
Voltage: 12V/24V DC  
Brightness: 200 lm/ft  
Max Run: 16 ft  
Cuttable Unit: 4 in (12V)  
/ 2 in (24V)



**4 in 1 4.5W/ft  
RGBW COB LED Strip**  
Voltage: 24V DC  
Brightness: 300 lm/ft  
Max Run: 16 ft  
Cuttable Unit: 4 in  
**3000K/5000K**

# LED STRIPS

## NEON LED STRIPS



### 4.6W/ft Outdoor High Output LED Strip

Voltage: 24V DC  
Brightness: 703 lm/ft  
Max Run: 16.4 ft  
Cuttable Unit: 1.31 in  
2700K/3000K/3500K/  
4000K/6000K



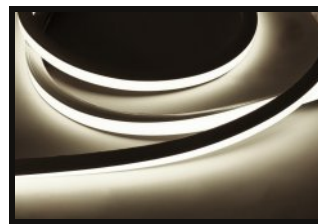
### 3W/ft High Heat Sauna LED Strip

Voltage: 24V DC  
Brightness: 289 lm/ft  
Max Run: 16.4 ft  
Cuttable Unit: 1.31 in  
2700K/3000K/4000K/  
6000K



### 2W/ft Outdoor Long Run LED Strip

Voltage: 24V DC  
Brightness: 234 lm/ft  
Max Run: 49.2 ft  
Cuttable Unit: 2.81 in  
2700K/3000K/3500K/  
4000K/5700K



### 4.4W/ft Outdoor 3D Bendable LED Strip

Voltage: 24V DC  
Brightness: 265 lm/ft  
Max Run: 49.2 ft  
Cuttable Unit: 1.31 in  
3000K/4000K/6000K



### 3W/ft Outdoor Side View LED Strip

Voltage: 24V DC  
Brightness: 160 lm/ft  
Max Run: 16.4 ft  
Cuttable Unit: 2.46 in  
3000K/4000K/6000K



### 1.5W/ft SMD 2835 Neon UL LED Strip

Voltage: 24V DC  
Brightness: 117 lm/ft  
Max Run: 50 ft  
Cuttable Unit: 2 in  
3000K



### 3W/ft SMD 2835 Neon UL LED Strip

Voltage: 24V DC  
Brightness: 270 lm/ft  
Max Run: 50 ft  
Cuttable Unit: 2 in  
3000K/4000K/5000K



### 3W/ft RGB Outdoor Neon UL LED Strip

Voltage: 24V DC  
Brightness: 125 lm/ft  
Max Run: 50 ft  
Cuttable Unit: 2 in



# LED STRIPS

## NEON LED STRIPS



**4.4W/ft RGBW Neon Square LED Strip**  
 Voltage: 24V DC  
 Brightness: 250 lm/ft  
 Max Run: 16.4 ft  
 Cuttable Unit: 2-3/16 in  
**3000K/6000K**



**4.4W/ft RGB 3D Bendable LED Strip**  
 Voltage: 24V DC  
 Brightness: 100 lm/ft  
 Max Run: 16.4 ft  
 Cuttable Unit: 2-7/16 in



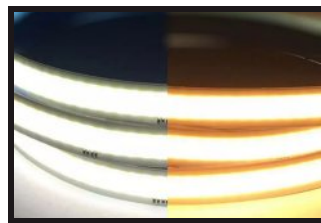
**4.4W/ft RGBW Neon Round LED Strip**  
 Voltage: 24V DC  
 Brightness: 234 lm/ft  
 Max Run: 49.2 ft  
 Cuttable Unit: 2-3/16 in  
**3000K/6000K**



**4.4W/ft RGBW Neon Side View LED Strip**  
 Voltage: 24V DC  
 Brightness: 265 lm/ft  
 Max Run: 49.2 ft  
 Cuttable Unit: 1.31 in  
**3000K/6000K**



## CCT TUNABLE WHITE LED STRIPS



**4W/ft Adjustable CCT LED Strip**  
 Voltage: 24V DC  
 Brightness: 304 lm/ft  
 Max Run: 50 ft  
 Cuttable Unit: 4 in  
**1800K-4000K**



**4W/ft Adjustable CCT LED Strip**  
 Voltage: 24V DC  
 Brightness: 260 lm/ft  
 Max Run: 50 ft  
 Cuttable Unit: 4 in  
**1800K-4000K/  
 2700K-6000K**



**7W/ft Adjustable CCT LED Strip**  
 Voltage: 24V DC  
 Brightness: 600 lm/ft  
 Max Run: 16.4 ft  
 Cuttable Unit: 2 in  
**2700K-6500K**

# LED STRIPS

## PREMIUM CRI 90 STRIPS



**1.5W/ft SMD 3528  
UL LED Strip**  
Voltage: 12V/24V DC  
Brightness: 120 lm/ft  
Max Run: 32 ft (12V)  
/ 49 ft (24V)  
Cuttable Unit: 2 in (12V)  
/ 4 in (24V)  
2200K/2400K/2700K/3000K  
3500K/4000K/5000K/6000K  
Red/Green/Blue/Amber  
Waterproof Available



**2W/ft SMD 3014  
UL LED Strip**  
Voltage: 12V/24V DC  
Brightness: 175 lm/ft  
Max Run: 32 ft (12V)  
/ 49 ft (24V)  
Cuttable Unit: 2 in  
(12V) / 4 in (24V)  
2700K/3000K  
4000K/6000K  
Waterproof Available



**3W/ft SMD 3528  
UL LED**  
Voltage: 12V/24V DC  
Brightness: 220 lm/ft  
Max Run: 32 ft (12V)  
/ 49 ft (24V)  
Cuttable Unit: 2 in (12V)  
/ 4 in (24V)  
1800K/2200K/2400K/2700K  
3000K/3500K/4000K/5000K  
6000K/Red/Blue/Pink  
Waterproof Available



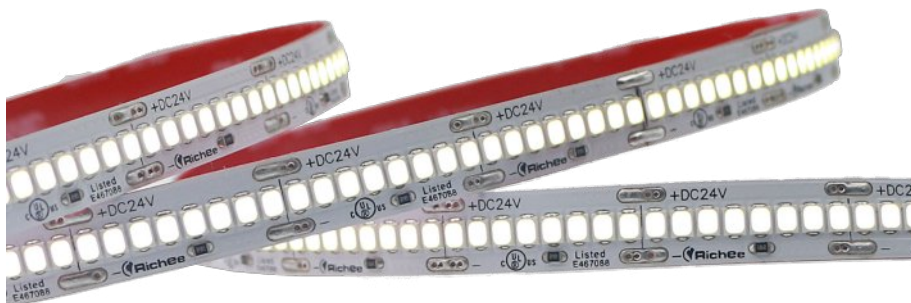
**4.4W/ft SMD 2835  
UL LED Strip**  
Voltage: 12V/24V DC  
Brightness: 360 lm/ft  
Max Run: 16 ft Cuttable  
Unit: 2 in (12V)  
/ 4 in (24V)  
2700K/3000K/4000K  
5000K/6000K



**5W/ft SMD 2835  
UL LED Strip**  
Voltage: 24V DC  
Brightness: 404 lm/ft  
Max Run: 16 ft  
Cuttable Unit: 3 in  
3000K/4000K  
6000K/Blue



**7W/ft SMD 2835  
UL LED Strip**  
Voltage: 24V DC  
Brightness: 1,000 lm/ft  
Max Run: 16 ft  
Cuttable Unit: 2 1/2 in  
2700K/3000K  
4000K/5700K



**7.3W/ft SMD 2835  
UL LED Strip**  
Voltage: 24V DC  
Brightness: 1,100 lm/ft  
Max Run: 16 ft  
Cuttable Unit: 1 in  
2700K/3000K/4000K  
6000K/10000K



# LED STRIPS

## OUTDOOR LED STRIPS



**0.73W/ft SMD 2835  
Long Run UL LED Strip**  
Voltage: 24V DC  
Brightness: 51 lm/ft  
Max Run: 164 ft  
Cuttable Unit: 4 in  
**2700K/3000K/4000K/6000K**



**1W/ft SMD 3014  
Low Light UL LED Strip**  
Voltage: 12V DC  
Brightness: 85 lm/ft  
Max Run: 65 ft  
Cuttable Unit: 6.6 in  
**3000K/6000K**



**1.5W/ft SMD 3528  
Accent UL LED Strip**  
Voltage: 12V/24V DC  
Brightness: 120 lm/ft  
Max Run: 32 ft (12V)  
/ 49 ft (24V)  
Cuttable Unit: 2 in (12V) /  
4 in (24V)  
**2700K/3000K/4000K/6000K**  
**Red/Blue/Amber**  
IP68 Available



**3W/ft SMD 3528  
UL LED Strip**  
Voltage: 12V/24V DC  
Brightness: 360 lm/ft  
Max Run: 16 ft  
Cuttable Unit: 2 in (12V)  
/ 4 in (24V)  
**2700K/3000K/4000K/6000K**  
**Red/Blue/Pink**



## 110V LED STRIPS



**3.5W/ft COB  
UL LED Strip**  
Voltage: 110V AC  
Brightness: 335 lm/ft  
Max Run: 100 ft  
Cuttable Unit: 8 in  
**3000K/5000K**  
Waterproof Only



**1.5W/ft SMD 2835  
ETL LED Strip**  
Voltage: 110V AC  
Brightness: 135 lm/ft  
Max Run: 200 ft  
Cuttable Unit: 19.7 in  
**2700K/3000K/3500K**  
**4000K/5000K**  
Waterproof Only



# MODULES

## SINGLE COLOR MODULES

LED Modules are generally used for signage. They are great for channel letters, light boxes, window displays, or for any type of decoration. All modules are suitable for outdoor use. We have a variety of wattages for different applications.



### White LED Module

0.72W = 100 lm

3000K/6500K



### Single Color LED Module

0.72W = 48 lm

Red/Green

Blue/Yellow

## COLOR CHANGING MODULES

### Color Changing LED Module

0.72W = 34 lm

RGB



# LED SHEETS

## LED SHEETS



LED Sheets provide great backlighting without needing a lot of depth. They can be linked together and cut to size with great precision. Available in single color and color changing.



### High Density Single Color/CCT UL LED Sheet

Voltage: 24V DC  
 Brightness: 2,500 - 2,590 lm  
 Recommended Depth: >1.18"  
 Cuttable Unit: 0.66" x 0.66"  
 2700K/3000K/3500K/4000K/5000K/6000K  
 CCT Tunable (2700K - 6500K)



### High Density RGB/W/CCT UL LED Sheet

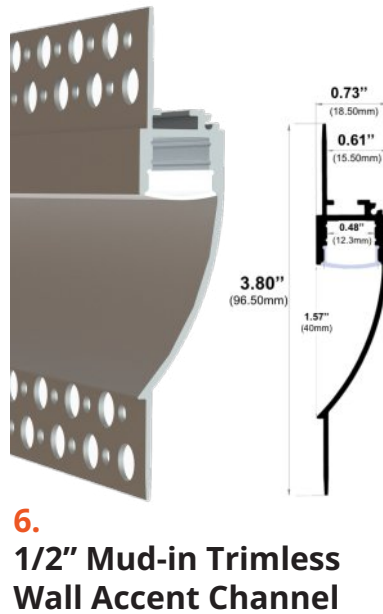
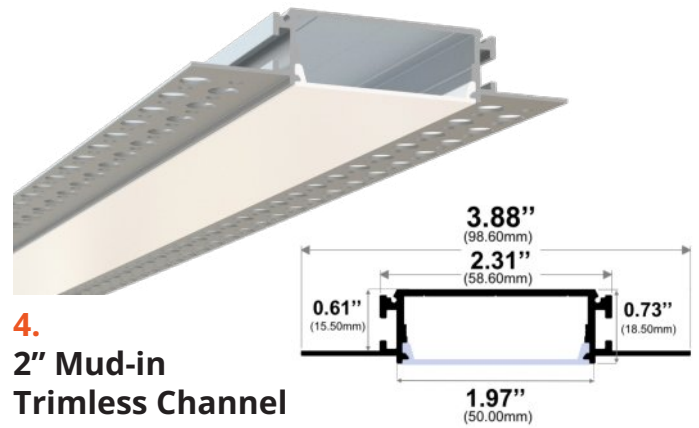
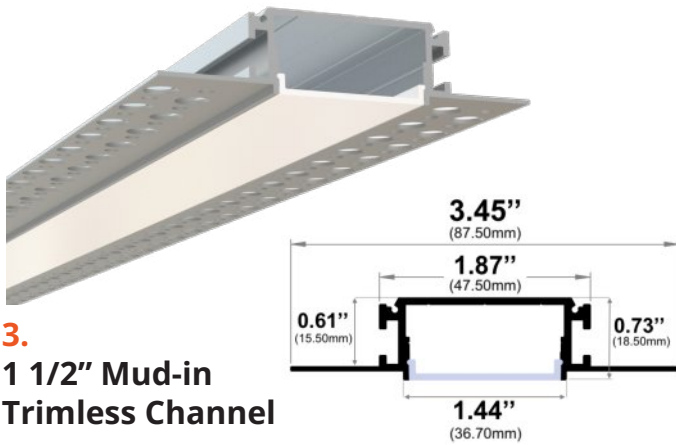
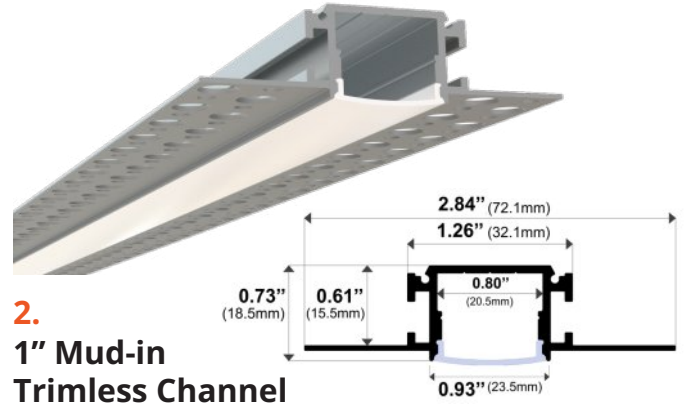
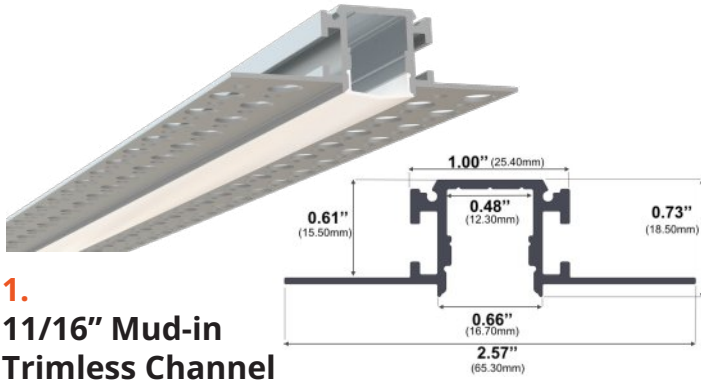
Voltage: 24V DC  
 Brightness: 1,366 - 2,470 lm  
 Recommended Depth: >1.18"  
 Cuttable Unit: 0.99" x 0.92"  
 RGB  
 RGB+W (2700K/3000K/4000K/6500K)  
 RGB+CCT (2700K - 6500K)



Bumper Spacer

# ALUMINUM CHANNEL

## TRIMLESS LED CHANNELS

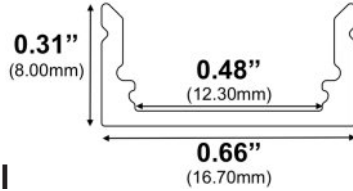


# ALUMINUM CHANNEL

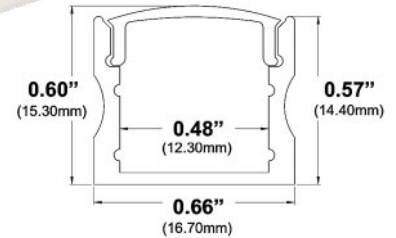
## BLACK LED CHANNELS



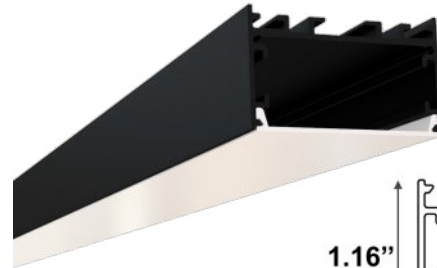
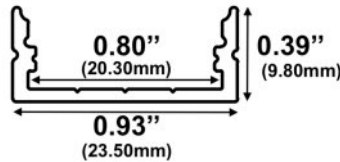
**8.**  
**11/16" Low Profile  
Black Slim Channel**



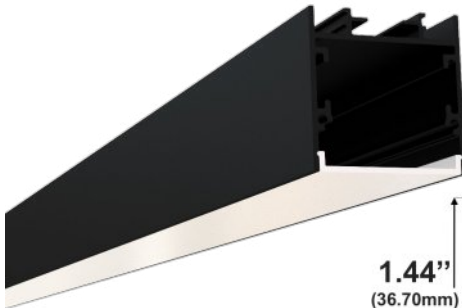
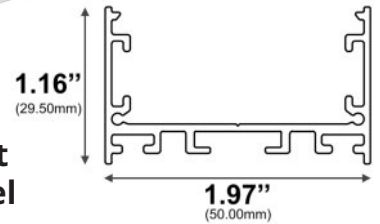
**9.**  
**11/16" Deep Curved  
Black Slim Channel**



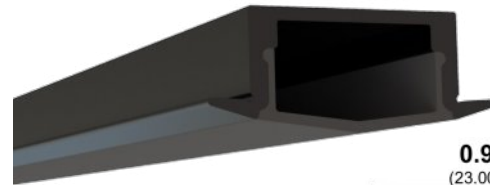
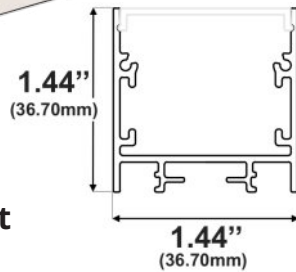
**10.**  
**1" Low Profile  
Black Slim Channel**



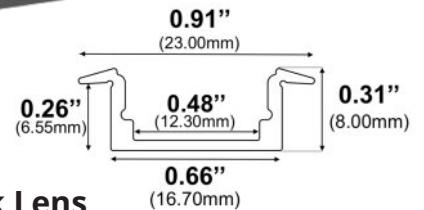
**11.**  
**2" Surface/Pendant  
Black Deep Channel**



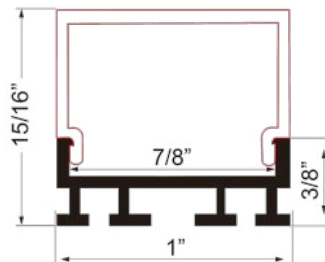
**12.**  
**1 1/2" Surface/Pendant  
Black Deep Channel**



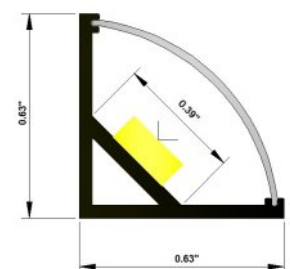
**13.**  
**1" Recessed Black Lens  
Black Slim Channel**



**14.**  
**1" Black Lens Square Top  
Black Deep Channel**

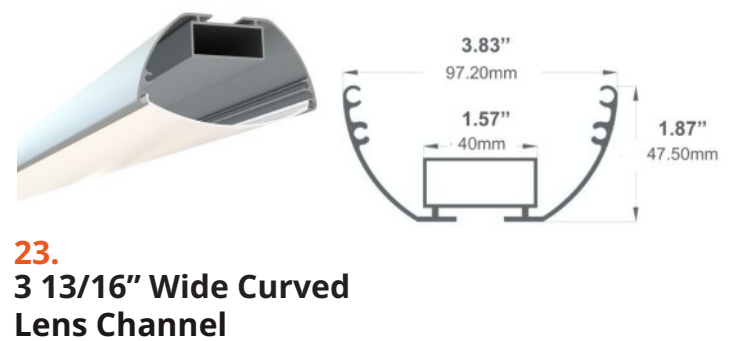
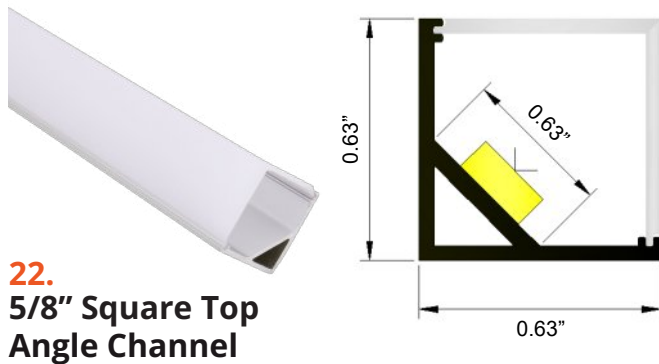
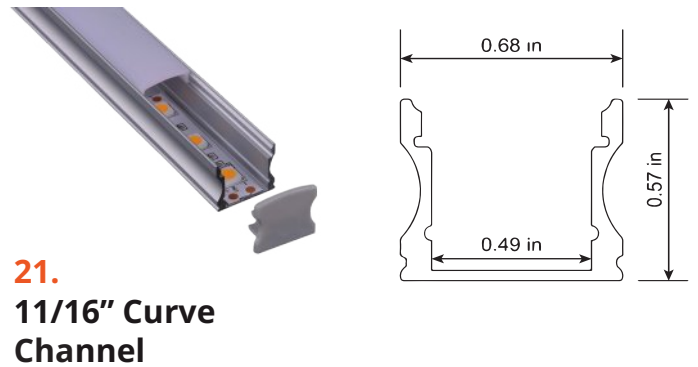
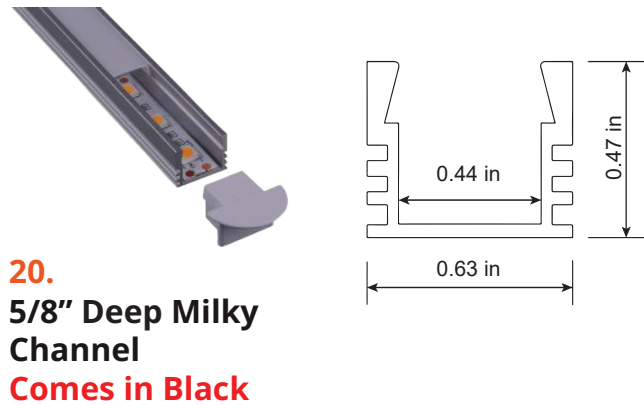
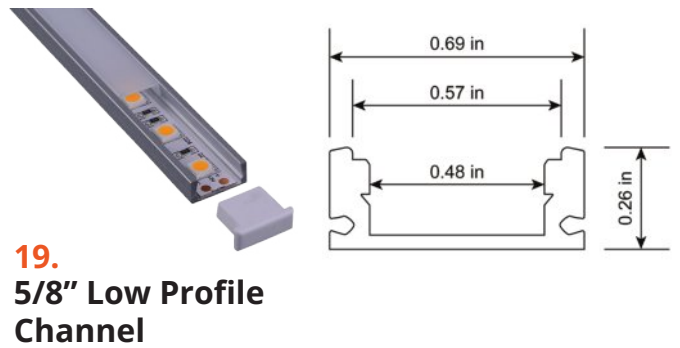
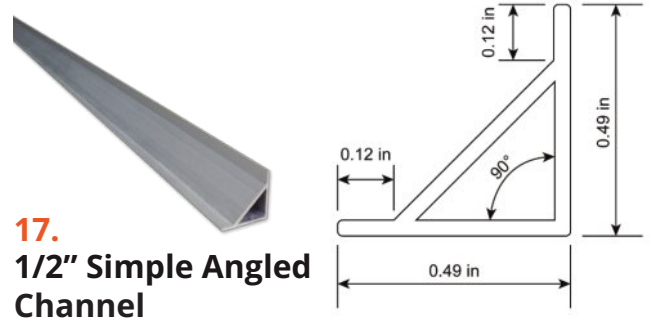
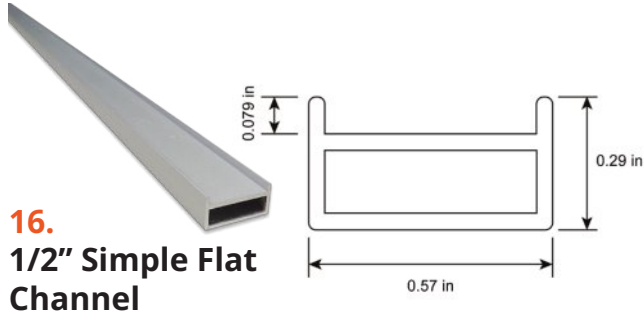


**15.**  
**1" Black Lens Angle  
Black Deep Channel**



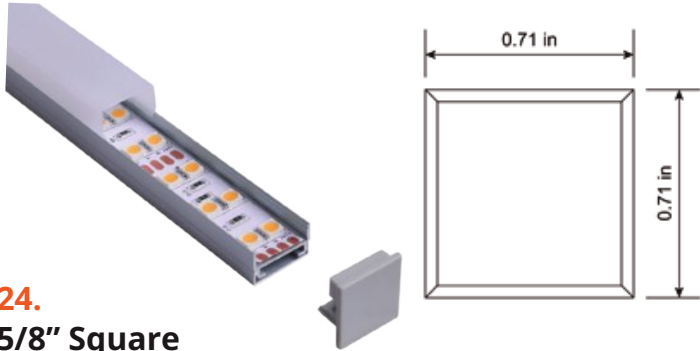
# ALUMINUM CHANNEL

## SURFACE MOUNT CHANNELS

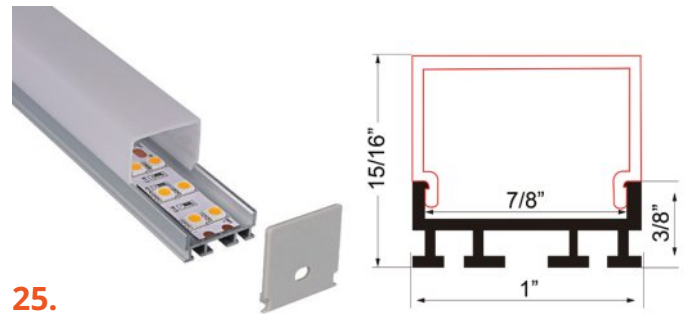


# ALUMINUM CHANNEL

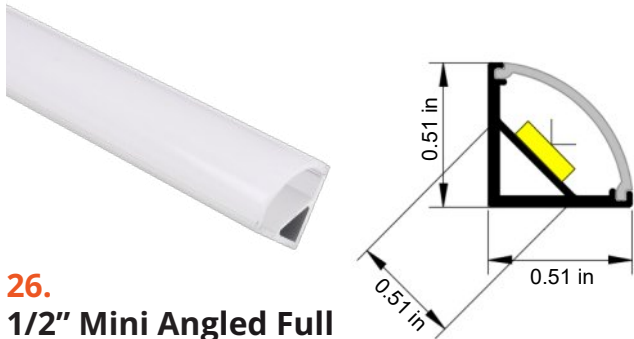
## SURFACE MOUNT CHANNELS



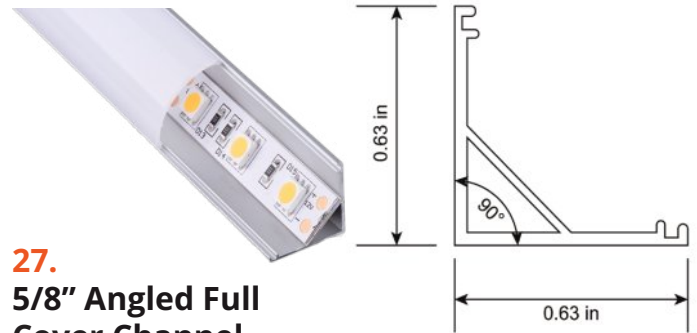
**24.**  
5/8" Square  
Milky Channel



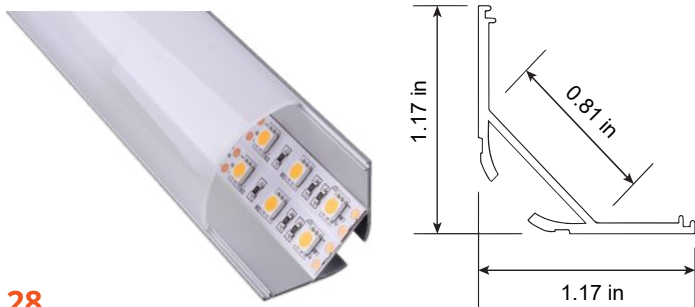
**25.**  
1" Square  
Milky Channel



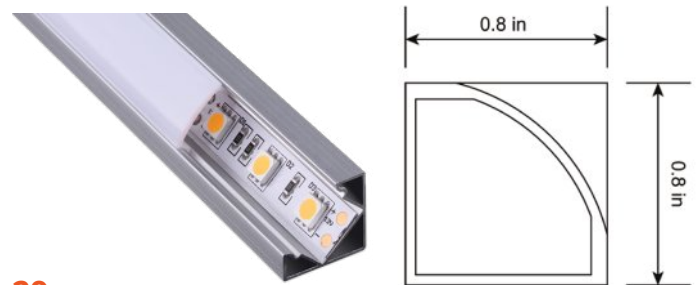
**26.**  
1/2" Mini Angled Full  
Cover Channel



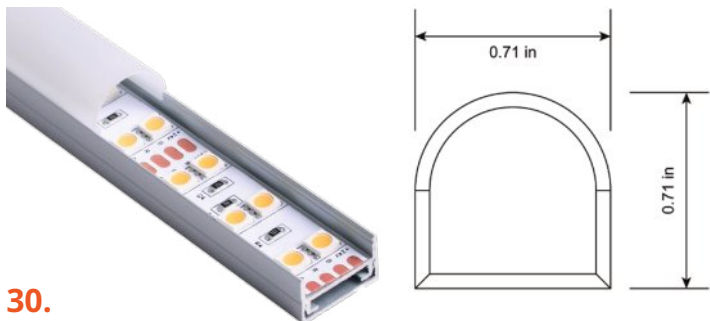
**27.**  
5/8" Angled Full  
Cover Channel



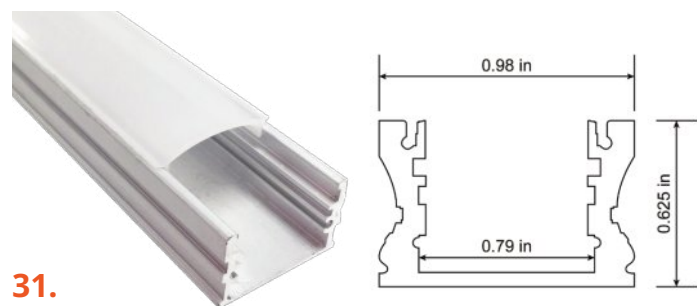
**28.**  
1 3/16" Angled Full  
Cover Channel



**29.**  
13/16" Angled  
Milky Channel



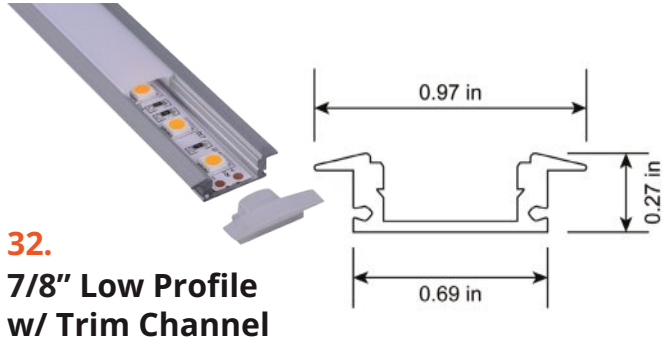
**30.**  
3/4" Round  
Milky Channel



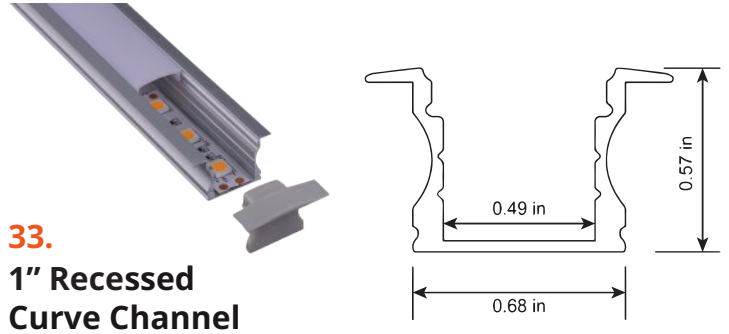
**31.**  
1" Wide  
Deep Channel

# ALUMINUM CHANNEL

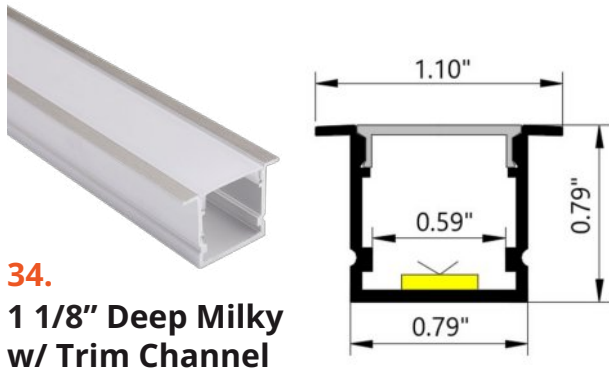
## FLUSH MOUNT CHANNELS



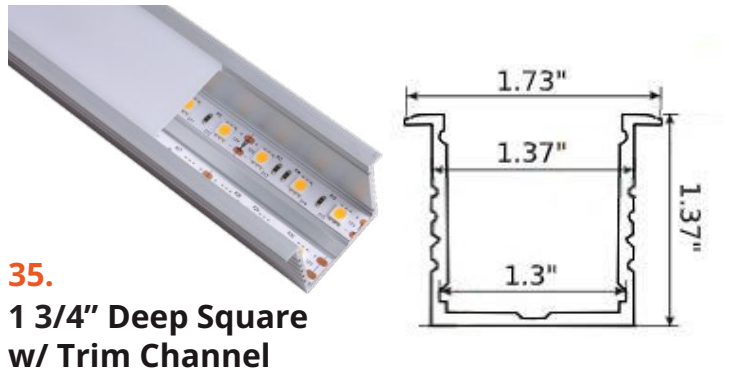
**32.**  
7/8" Low Profile  
w/ Trim Channel



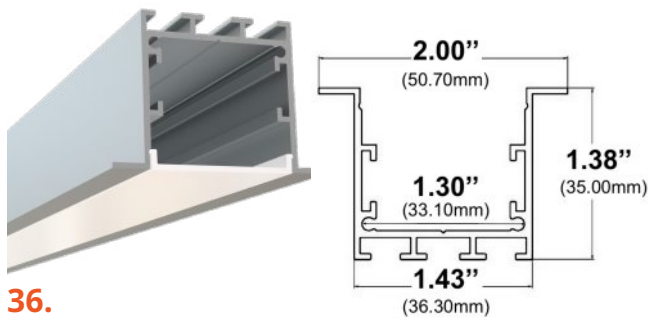
**33.**  
1" Recessed  
Curve Channel



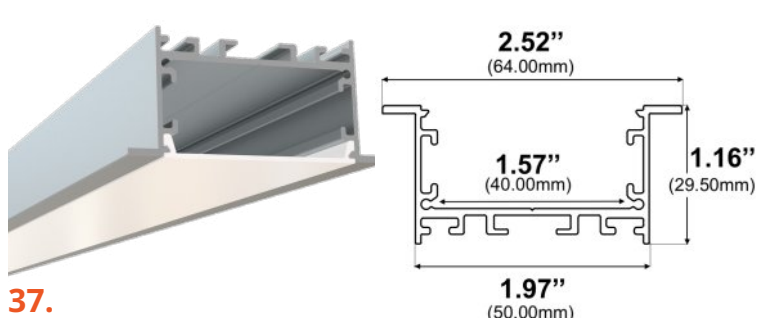
**34.**  
1 1/8" Deep Milky  
w/ Trim Channel



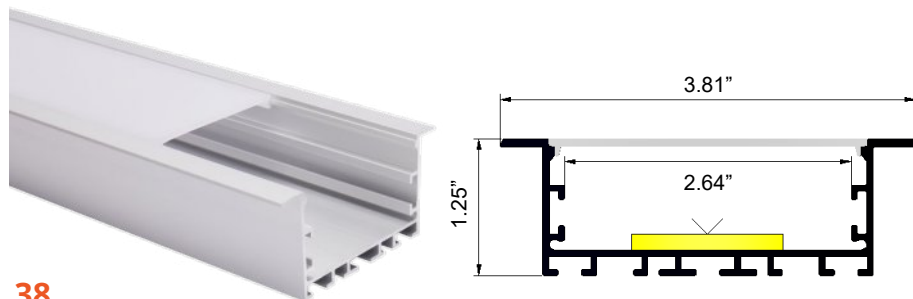
**35.**  
1 3/4" Deep Square  
w/ Trim Channel



**36.**  
2" Deep Square  
w/ Trim Channel



**37.**  
2 1/2" Deep Rectangle  
w/ Trim Channel

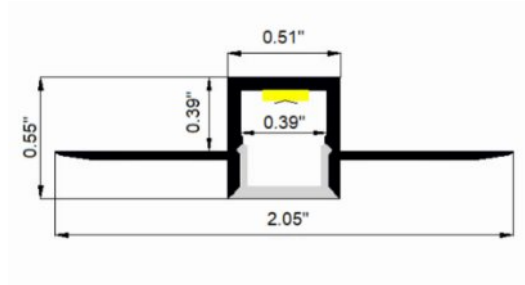
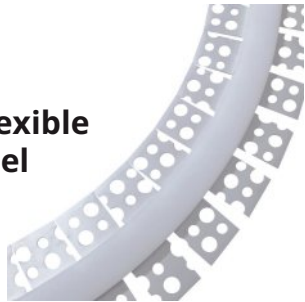


**38.**  
3 13/16" Deep Milky  
w/ Trim Channel

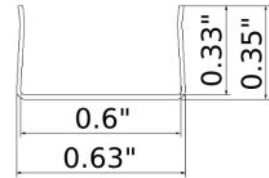
# ALUMINUM CHANNEL

## ARCHITECTURAL FLEXIBLE CHANNELS

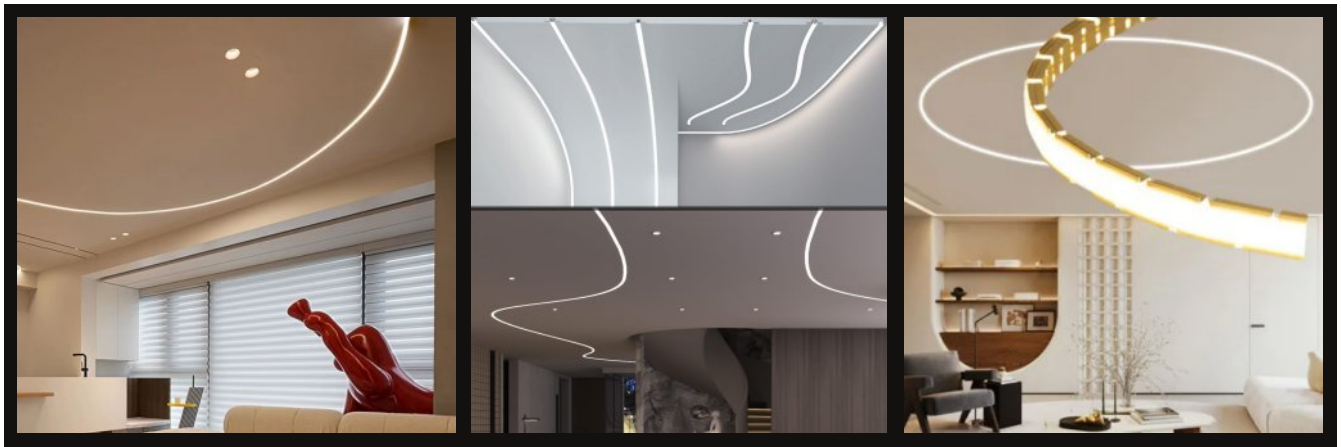
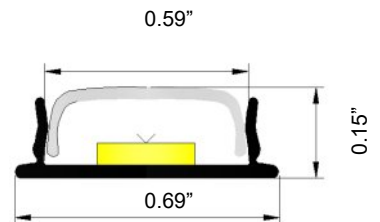
**39.**  
**9/16" Mud-in Flexible  
 Trimless Channel**



**40.**  
**5/8" Ultra Flexible  
 3D Keel**  
 Compatible with  
 3D Bendable Strips



**41.**  
**11/16" Flexible  
 Slim Channel**  
 Comes in Black



# POWER SUPPLIES

## ADAPTERS

**60W Adapter**  
12V/24V



**72W Adapter**  
12V/24V



**96W Adapter**  
12V/24V



**120W Adapter**  
24V



**150W Adapter**  
12V



**200W/300W Adapter**  
24V



## INDOOR

**Small LED Power Supply**  
12W - 24W  
36W - 60W  
12V/24V



12W / 24W



36W / 60W

**Meanwell Integrated Fan Power Supply**  
350W - 600W  
12V/24V



350W / 600W

**Meanwell Switching Fan-Less Power Supply**  
100W - 150W  
200W - 500W  
12V/24V  
750W  
24V Only



100W / 150W  
200W



500W / 750W

# POWER SUPPLIES

## ELECTRONIC DIMMABLE

Small Dimmable  
ELV / MLV / Triac  
Class 2 LED Driver

60W 12V/24V  
96W 24V

60W



96W



Compact Dimmable  
ELV / MLV / Triac  
Class 2 LED Driver

60W 12V/24V  
96W 24V

60W



96W



100-277V Phase Cut LED  
Triac Dimmable Driver

30W - 60W - 100W  
120W - 150W  
200W - 300W  
12V/24V

30W/60W



100W/120W/150W



200W



300W



## MAGNETIC DIMMABLE

Magnetic LED  
Dimmable Driver

20W - 50W  
60W - 75W - 100W  
150W - 200W  
300W - 600W  
12V/24V

20W/50W



60W/75W  
100W



150W/200W  
300W/600W



# POWER SUPPLIES

## 0-10V DIMMABLE

**5 in 1 Slim Dimmable  
ELV / MLV / Triac  
0-10V LED Driver**  
30W 12V/24V - 60W 12V/24V  
96W 24V - 100W 12V  
150W 12V/24V



30W Class 2



60W Class 2



96W Class 2



100W



150W

**0 - 10V Meanwell  
LED Dimmable Driver**  
100W - 150W  
240W - 320W  
12V/24V



100W/150W



240W



320W

## OUTDOOR



**Meanwell Class 2  
Power Supply**  
20W - 60W  
100W - 150W  
12V/24V



**Meanwell Outdoor  
Power Supply**  
100W - 150W  
240W - 320W  
12V/24V



**Landscape Power Supply  
w/ Photocell**  
75W - 150W - 200W  
300W - 600W  
12V/15V AC

# LIGHTING CONTROLLERS

## MI LIGHT SYSTEM

The Mi Light System offers a complete solution for color changing lights. The WiFi module enables the entire system to be controlled with an app. Alexa and Google Assist are also compatible with this system.



**4 Zone Dimmer Remote**



**4 Zone Dimmer Wall Mount Remote**



**4 Zone RGB+W Black Remote**



**4 Zone RGB+W Wall Mount Remote**



**4 Zone RGB+CCT Remote**



**2.4GHz WiFi Gateway**

**12V-48V 5 in 1 Wifi Multi-Zone Receiver**  
 Single Color = 30A Load  
 Tunable White = 30A Load  
 RGB = 30A Load  
 RGB+W = 30A Load  
 RGB+CCT = 30A Load



## LOW VOLTAGE DIMMERS AND SWITCHES



**12V/24V Touch Dimmer**  
 Single Color = 6A Load



**12V/24V Mini RF Remote Dimmer**  
 Single Color = 6A Load



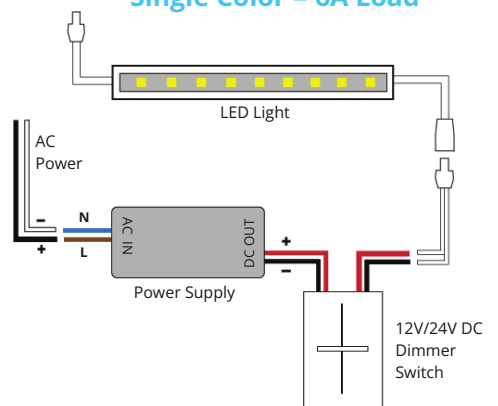
**12V/24V Knob Dimmer**  
 Single Color = 6A Load



**12V/24V Rocker Switch**  
 Single Color = 6A Load



**12V/24V IR Sensor Switch**  
 Single Color = 3A Load



# LIGHTING CONTROLLERS

## MI LIGHT FIXTURES

### Color Changing Garden Light

9W = 700 lm  
 15W = 1,200 lm  
 25W = 2,000 lm  
 RGB+CCT (2700K-6500K)



### Color Changing Flood Light

50W = 4,000 lm  
 RGB+CCT  
 (2700K-6500K)



### Color Changing 3.2ft Wall Washer

48W = 3,200 lm  
 RGB+CCT  
 (2700K-6500K)

## RGB CONTROLLERS

### 12V/24V 1 Zone RGB/W Controller

RGB = 15A Load  
 RGB+W = 15A Load



### 12V/24V RGB Mini Controller

RGB = 6A Load  
 Wire Connectors Available



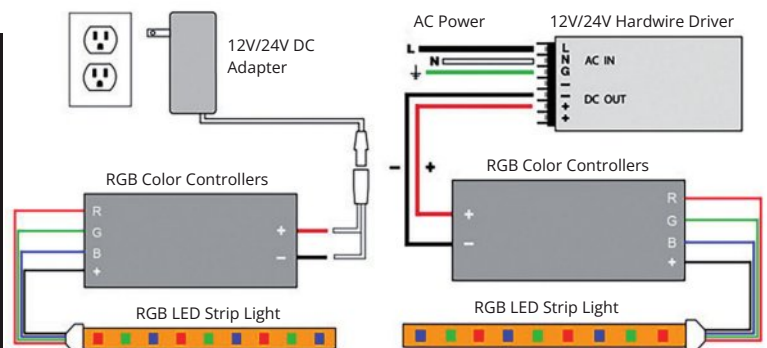
### 12V/24V RGB Music Controller

RGB = 15A Load  
 Music Controls the Light



## 12V/24V Color Changing LED Strip Connections

An LED Power Supply is needed to provide the correct voltage for color-changing controllers and LED strips. A color-changing controller, which also acts as a dimmer, goes between the power supply and the LED strip to manage color and brightness. Every color-changing strip requires both a controller and a compatible power supply to function correctly.



# LIGHTING CONTROLLERS

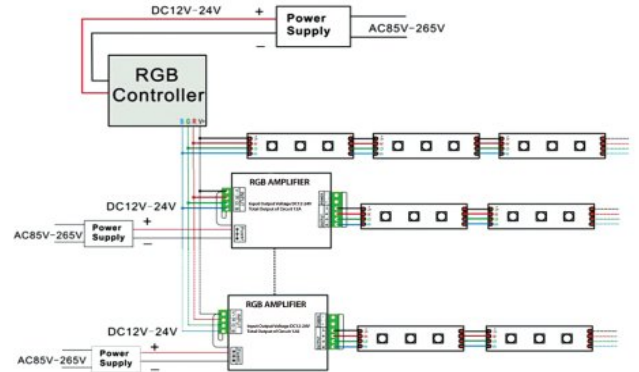
## AMPLIFIERS



**12V/24V RGB Amplifier**  
**RGB = 30A Load**

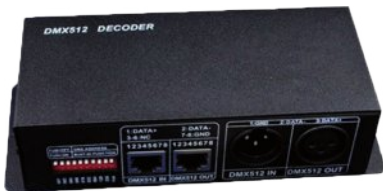


**12V/24V RGBW Amplifier**  
**RGBW = 24A Load**



Amplifiers are used to increase the load capacity of Color Changing Controllers. We recommend to install amplifiers parallel to the LED Strip.

## DMX CONTROLLERS



**12V/24V RGB/W DMX Decoder**  
**RGB = 12A Load**  
**RGBW = 16A Load**



**12V/24V RGB DMX Decoder**  
**RGB = 15A Load**



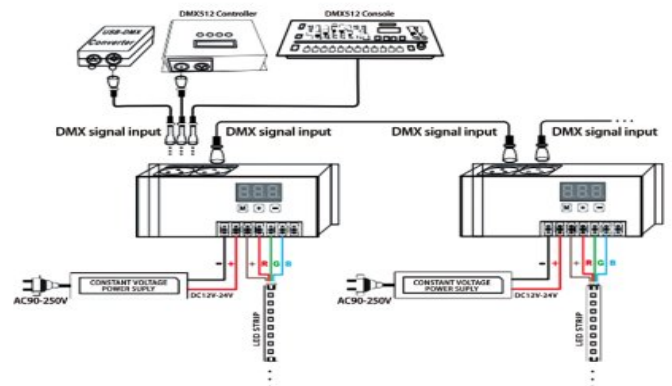
**12V/24V 5 CH DMX Decoder**  
**5 x 8A = 40A Load**



**12V/24V 12 CH DMX Decoder**  
**12 x 5A = 60A Load**



**12V/24V 24 CH DMX Decoder**  
**24 x 4A = 96A Load**

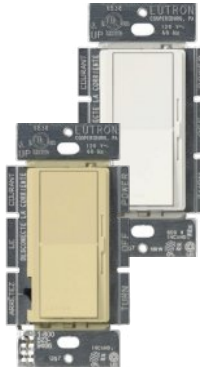


DMX Decoders are used to integrate any 12V/24V Color Changing or Single Color LED product to existing DMX lighting systems.

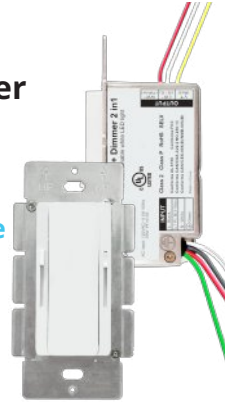
# LIGHTING CONTROLLERS

## DIMMERS SERIES

**150W 3 Way LED/CFL Diva Dimmer**  
Great for LED Bulbs and Recessed Lights  
Finishes in White, Black, Almond, Light Almond, and More



**2 in 1 CCT Dimmer and Driver**  
Input 120V AC and Output 24V DC.  
Connect low voltage lights directly to dimmer switch.  
96W and 160W



**0-10V Rocker and Slider Dimmer**  
Suitable for 0-10V Lights and Drivers



## legrand® ADORNE SERIES

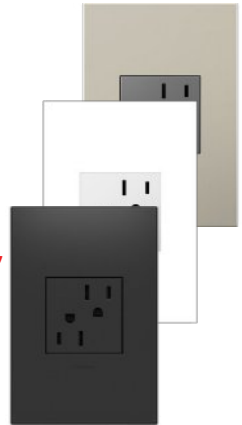
**700W Paddle Square Dimmer**  
Fits in Electrical Boxes  
Finishes in White, Graphite, and Magnesium



**15A Paddle Square Switch**  
Fits in Electrical Boxes  
Finishes in White, Graphite, and Magnesium



**15A Square Outlet**  
Fits in Electrical Boxes  
Finishes in White, Graphite, and Magnesium



## RadioRA3 SERIES

**Sunnata RF Touch Dimmer**  
Works with LED, Incandescent, MLV and ELV  
Finishes in White, Black, Almond, Light Almond, and More



**Sunnata RF 2/3/4 Keypad**  
Activate scenes, Dimming levels, music and more  
Finishes in White, Black, Almond, Light Almond, and More



**All-in-One Processor**  
Brain of the RadioRA 3 system  
Connects motion Sensors, keypads, lights and more.



# LIGHTING CONTROLLERS

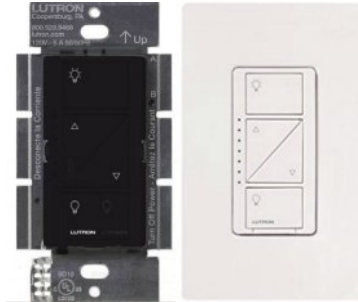
## CASÉTA SERIES



**Caséta Remotes**  
 Compatible w/ all Caséta Products  
 Available in Black and 3 Scenes



**Plug-in Caséta Lamp Dimmer**  
 100W CFL/LED Load  
 300W Halogen Incandescent Load



**LED Caséta Wireless Dimmer**  
 150W CFL/LED Load  
 600W Halogen/Incandescent Load



**Wi-Fi Caséta Smart Bridge Module**  
 5V DC Input  
 Compatible w/ App

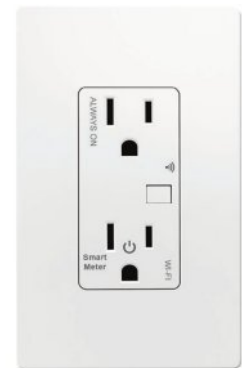
## WIFI SERIES



**WiFi Switch**



**150W 3 Way LED/CFL WiFi Dimmer**



**WiFi Receptacle**

All items in the WiFi series works with Amazon Alexa, Google Assistant, and their own phone app. They use your existing router and internet connection to link up with other systems, so there is no need to purchase or set up a hub. The app includes scene control, scheduling, multiple device control, and energy monitoring, and is compatible with Android and iOS.

JUST ASK amazon alexa

works with the Google Assistant

Phone App Available

# LIGHTING CONTROLLERS

## SENSORS SERIES



**PIR In- Wall  
Occupancy/Vacancy  
Sensor**  
Up to 700 Sq. Ft Range



**360° PIR High Voltage  
Ceiling Mount  
Occupancy Sensor**  
Up to 1200 Sq. Ft Range



**360° PIR High Voltage  
1/2" Knuckle Mount  
Occupancy Sensor**  
Up to 800 Sq. Ft Range



**Power Packs**  
0-10V Dimming Available



**In- Wall Humidity  
Sensor**  
1/6 HP, 3 Amp Fan Load



**12V/24V  
Low Voltage PIR  
Motion Sensor**  
26 Ft Radius Range

## LUTRON TITLE 24



**Wireless Ceiling  
Daylight Sensor**  
Works with wireless  
Lutron systems  
Light range 0 to 1600 lx



**Wireless Ceiling PIR  
Occupancy/Vacancy  
Sensor**  
Works with wireless  
Lutron systems  
Up to 676 Sq. Ft Range



**Vive Wireless  
Dimmer**  
Up to 600W Load



**Vive 0-10V  
Dimming Power Pack**  
8A Switch Rating

# ELECTRICAL

## SWITCHES



**Rocker Switch**  
Single Pole and 3 way  
15A Load  
Finishes in White and Black



**Stack Rocker Switch**  
Single Pole and 3 way  
15A Load  
Finishes in White and Black



**Timer Switch**  
Up to 4 Hour Delay  
15A Load

## RECEPTACLES



**Floor Pop Up**  
15A Load



**GFCI Outlet**  
15A Load

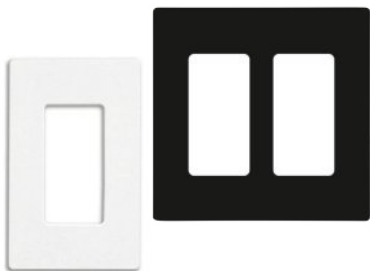


**Outlet**  
15A Load



**Outlet w/ USB Charger**  
5VDC, 4.8A Output 15A Load

## WALL PLATES



**Decora Wall Plates**  
Multiple Finishes and Gangs Available



**Waterproof Wall Plate**  
Finishes in Gray, White, and Bronze



**Outdoor Bubble Cover**  
Comes in Single and 2 Gang

# ACCESSORIES

## STRIP ACCESSORIES



**98' Double Sided Tape**  
Gray/Clear



**Screw-in Barrel Connectors**  
Female/Male



**Barrel Connectors w / Wire**  
Female/Male



**Low Voltage Strip Coupling**  
Single Color/RGB



**Barrel Connector to Strip Coupling**



**Line Voltage Strip Input Connector**



**Line Voltage Strip to Strip Coupling**



**Line Voltage Strip L and T Coupling**

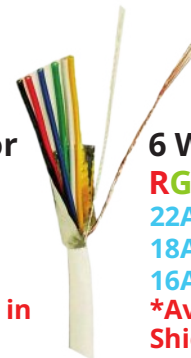
## WIRES



**2 Wire for Single Color**  
18AWG\*  
16AWG  
14AWG  
\*Available in Shielded



**4 Wire for RGB**  
22AWG\*  
18AWG  
16AWG  
\*Available in Shielded



**6 Wire for RGBW**  
22AWG\*  
18AWG  
16AWG  
\*Available in Shielded



**2 Wire for Landscape**  
14AWG  
12AWG  
10AWG

## SOCKETS



**T8 Socket**



**E12 to E26 Adapter**



**G9 Socket**



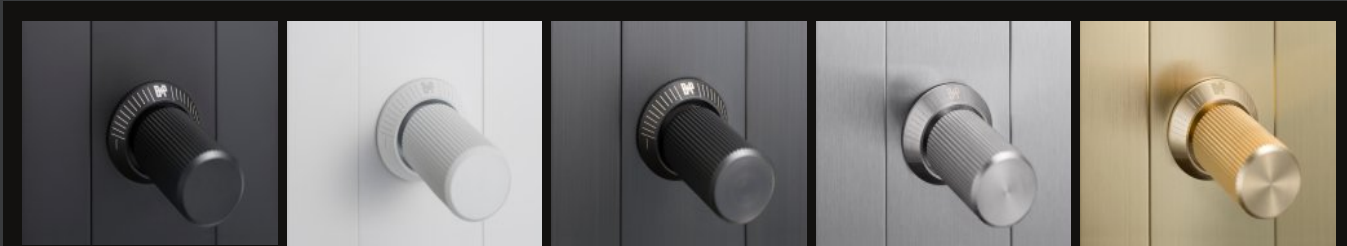
**GU10 Socket**



**MR16 Socket**

# BUSTER+PUNCH

## DIMMERS



Buster+Punch provide a unique variety of dimmers, light switches, outlets, wall plates and more. Finishes are available in Black, White, Smoked Bronze, Steel, and Brass.



1 Gang Dimmer



2 Gang Dimmer



3 Gang Dimmer



4 Gang Dimmer

## TOGGLE SWITCHES



1 Gang Toggle Switches



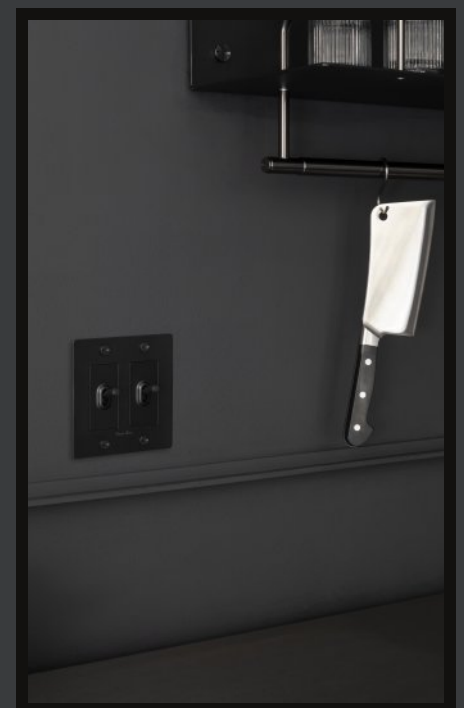
2 Gang Toggle Switches



3 Gang Toggle Switches



4 Gang Toggle Switches



# BUSTER+PUNCH

## OUTLETS



1 Gang Duplex Outlet



1 Gang Duplex GFCI Outlet



1 Gang Duplex USB A + C Outlet



2 Gang Duplex Outlet

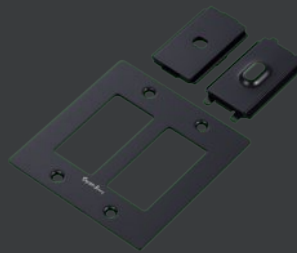


2 Gang Duplex USB A Outlet

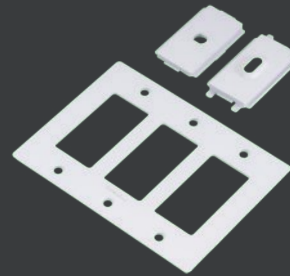
## WALL PLATES



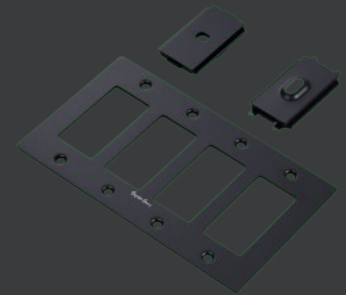
1 Gang Wall Plate



2 Gang Wall Plate



3 Gang Wall Plate



4 Gang Wall Plate

## DETAIL KITS

Detail kits can be purchased to fully customized installations. Switches, dimmers, outlets, and call all be used interchangeably.



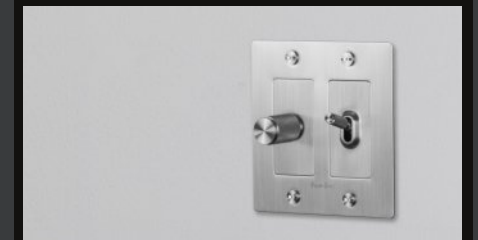
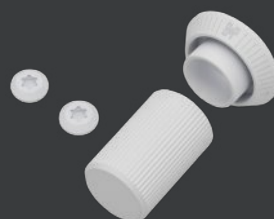
Plate Detail Kit



Toggle Detail Kit



Dimmer Detail Kit









# ADVANCE LED SUPPLY

Advance LED Supply delivers the best in LED lighting. From strips to commercial, residential, and landscape solutions, our curated products and expert technicians ensure top results for any project.

5404 San Fernando Rd. Glendale, CA 91203

CALL: (818) 649-1999

TEXT: (818) 862-0871

[sales@advanceledsupply.com](mailto:sales@advanceledsupply.com)

[www.advanceledsupply.com](http://www.advanceledsupply.com)



Advance LED Supply reserves the right to revise product appearance, dimensions, and technical data, but does not undertake responsibility for the accuracy of the content. Advance LED Supply ensures that the contents of this catalog have been carefully checked, so we will not assume responsibility for any loss. Recipient hereby acknowledges that Advance LED Supply Lighting Catalog, which it has received, is a confidential trade secret for Advance LED Supply, and it may not be disclosed to any third party whomsoever without first obtaining the prior written permission of Advance LED Supply.