

Low Voltage: Bullet Spot Light

Aluminum Housing– Integrated LED

RGB + 5-CCT



Detail Specifications:

- Finish: Bronze or Black
- Housing: Aluminum
- LED Integrated
- Power: 5W
- Lumens: 450
- Beam Angle: 60°
- IP Rating: Wet Location IP65
- Lens: Clear glass

Applications:

- Landscape
- Walkways & Pathways
- Hospitality, Multi-Family
- Outdoor Corridors
- General Outdoor Lighting
- Residential, Commercial

Product Information:

- 17 color scene options to chose from with a push button on each individual fixture
- Color switch is located on the back of the fixture
- Heat resistant glass lens
- Fully adjustable knuckle for precise control
- Water tight silicone ring for waterproofing
- Packaging: Retail color box
- Master box quantity: 24pcs.

Driver Options:

- Compatible with Low Voltage Drivers - 12-24V AC/DC
- Max load should not exceed more than 80% of the transformer wattage

Mounting & Installations:

- Wire: 6' (72") SPT-1W 20 gauge wire lead
- Bracket: Adjustable 180° bracket
- Spike: 6.2" Non-metallic spike included - Optional brass spike available

Warranty:

- 3 Year Limited Warranty

Models

LED-BLS-5W-RGB+5CCT-ALM-BZ-LV

Bronze Finish

LED-BLS-5W-RGB+5CCT-ALM-BL-LV

Black Finish

Optional Accessories on Page 3

Specs and model numbers are subject to change with or without notice. Customization of product is available.

FEATURES

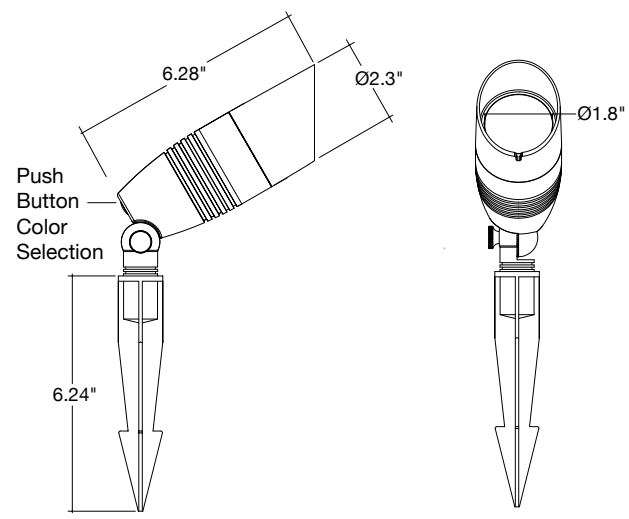


17 SCENE OPTIONS

| | |
|----------------|--|
| 2700K | |
| 3000K | |
| 3500K | |
| 4000K | |
| 5000K | |
| WHITE | |
| RED | |
| GREEN | |
| BLUE | |
| ORANGE | |
| PURPLE | |
| CYAN | |
| RED/GREEN/BLUE | • 2 Second Smooth Color Change |
| RED/GREEN/BLUE | • 2 Second Flash Color Change |
| ALL COLORS | • 2 Second Smooth Color Change |
| ALL COLORS | • 2 Second Flash Color Change |
| ALL COLORS | • 2 Second Smooth Color Change + 2 Second Flash Color Change |
| OFF | |



DIMENSIONS



ACCESSORIES



STK-HD-1/2-BR



SM-1/2-BR-ORB



SM-1/2-BR-MBL



SM-1/2-ALM-BZ



SM-1/2-ALM-BL



SM3-1/2-BR-ORB



SM3-1/2-BR-MBL



STKC-1/2-BR-ORB



STKC-1/2-BR-MBL



GM-1/2-BR-SS



GM-1/2-ALM-BZ



GM-1/2-ALM-BL

| Model | Voltage | Watts | Lumens | Color |
|-------------------------------|--------------|-------|--------|------------------|
| LED-BLS-5W-RGB+5CCT-ALM-BZ-LV | 12-24V AC/DC | 5w | 450 | 27/30/40/50k+RGB |
| LED-BLS-5W-RGB+5CCT-ALM-BL-LV | 12-24V AC/DC | 5w | 450 | 27/30/40/50k+RGB |

STAKE

| Model | Voltage |
|---------------|----------------------------|
| STK-HD-1/2-BR | Brass Stake 10" Heavy Duty |

SURFACE MOUNT

| Model | Description |
|---------------|--|
| SM-1/2-BR-ORB | Brass Stake 10" Heavy Duty (Oil Rubber Bronze) |
| SM-1/2-BR-MBL | Brass 1/2" Surface Mount (Matte Black) |
| SM-1/2-ALM-BZ | Aluminum 1/2" Surface Mount (Bronze) |
| SM-1/2-ALM-BL | Aluminum 1/2" Surface Mount (Black) |

TREE MOUNT

| Model | Description |
|----------------|--|
| SM3-1/2-BR-ORB | Brass Stake 10" Heavy Duty (Oil Rubber Bronze) |
| SM3-1/2-BR-MBL | Brass 1/2" Surface Mount (Matte Black) |

STAKE COVER

| Model | Description |
|-----------------|--------------------------------------|
| STKC-1/2-BR-ORB | Brass Stake Cover(Oil Rubbed Bronze) |
| STKC-1/2-BR-MBL | Brass Stake Cover(Matte Black) |

GUTTER MOUNT

| Model | Description |
|---------------|--------------------------------------|
| GM-1/2-BR-SS | Brass Gutter Mount (Stainless Steel) |
| GM-1/2-ALM-BZ | Aluminum Gutter Mount (Bronze) |
| GM-1/2-ALM-BL | Aluminum Gutter Mount (Black) |