

Project:

Fixture Type:

Location:

Contact/Phone:

The JRT2-56-3CCT-SQ is 6 inch Economy version of LED Retrofit Kit with Square Smooth. This LED retrofit is CCT adjustable. It is compatible with most of 6 inch standard recessed new construction and remodel housings. The Retrofit Kit comes with a E26 medium screw-base Edison adaptor for easy installation into standard incandescent sockets.

DESCRIPTION

- Conduit quick-connect connectors facilitate installation.
- Use select 3 kinds of CCT with a switch on the driver.
- Die cast aluminum heat sink dissipates heat from the LED board.
- Torsion spring mounting style are designed to accommodate most 6" standard and shallow housings.
- E26 medium screw-base Edison adaptor provides easy installation into Incandescent housings.

LED LIGHT ENGINE

- Protected LED driver performs at 120V.
- Dimming down to 10% with most dimmers.
- CCT 2700K, 3000K, 4000K, 5000K available
- CRI ≥80 or ≥90
- Long life LED chips guaranteed up to 50,000 hours.

WARRANTY

Guaranteed five years from the purchase date of the product, against mechanical defects in manufacturing.

LISTINGS

- cULus classified
- Energy star qualified
- Wet locations (Not suitable for coastal/salt water area)
- Damp locations
- RoHS compliances
- Tested in accordance with IESNA LM79 & LM80

PERFORMANCE DATA

Input Voltage	120V		
Input Power	15W		
Frequency	50 / 60Hz		
C R I	90		
T Ambient	-30 °C ~40 °C (-22°F ~104°F)		
C C T	3000 K	4000 K	5000 K
Lumens	1120 lm	1240 lm	1130 lm

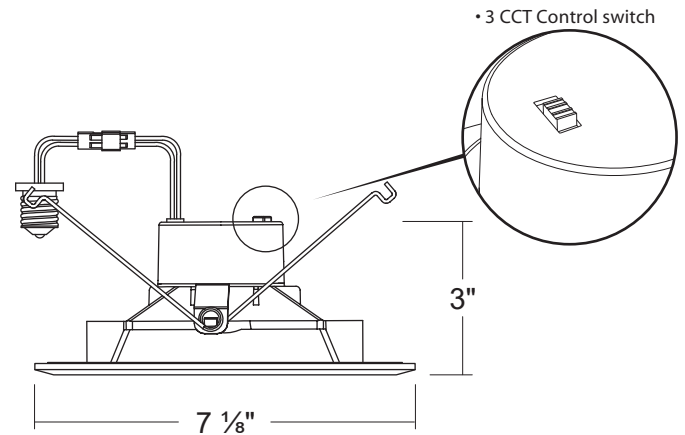
(all values at 25°C without a dimming control in circuit)

JRT2-56-3CCT-SQ

6" LED Square Smooth Retrofit 3 CCT Kit



DIMENSIONS



120V Dimmer List		
Mfr	Model #	Dimming Rate
COOPER	DLC03P	10 - 100%
Leviton	1A1505 / 1C1605	10 - 100%
Leviton	6631 / 6633	10 - 100%
Lutron	CT-603PG / CT-600PR	10 - 100%
Lutron	DV-600PR / DV603PG	10 - 100%
Lutron	DVW-603PGH / DVCL-153P	10 - 100%
Lutron	MACL-153M / TGCL-153P	10 - 100%
Lutron	S-600PR / S-2-LH	10 - 100%