

Project Name:	Notes:	Date:	Type:
---------------	--------	-------	-------

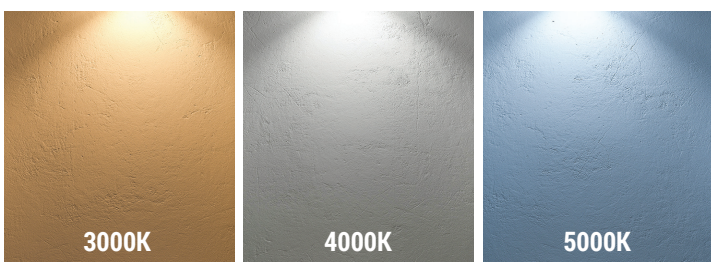
DESCRIPTION

No can or housing needed! Install directly into ceilings with 2" clearance. Portor's slim profile residential downlights are taking the market by storm! Available in 6" and featuring color tunable technology that lets the user choose between 3000K, 4000K, or 5000K.

Ideal for soffits, drop ceilings, closets, attics, hallways, bathrooms, kitchens, basements, entry ways, porches (covered ceiling only), garages, stairwells, corridors, nursing/retirement homes, condos, elevators, apartments, and any other small areas with limited space.



TUNABLE 3-1 CCT SELECTOR



Easily flip the switch for desired CCT. It's that simple!

FEATURES

- Edge-lit technology, with no glare or dark spots
- Instant-on
- Ultra slim design, 1" thickness
- Integrated LED fixtures
- LED technology fits anywhere you need general light source
- IC rated for direct contact with insulation
- Perfect solution where joists or duct work would normally prevent recessed installation
- Damp location rated for soffit applications
- Install J-Box in ceiling beam, and insert light right into drywall opening

DIMMING

Triac dimmable down to 100%-10%.
Compatible with most major brands of dimmers.

LISTING

ETL Listed, FCC, RoHS, CE & Energy Star Listed

TECHNICAL SPECIFICATION

WATTAGE	14W
LUMENS	1000 lumens (@ 5000K)
EFFICACY	71 lm/W
VOLTAGE	120V
POWER FREQUENCY	50/60 Hz
CCT	3000K 4000K 5000K
CRI	90
BEAM ANGLE	120°
IP RATING	Suitable for damp locations
DIMMABLE	Triac dimming
POWER FACTOR	>0.9
WARRANTY	5 year limited



MODEL NUMBER(S)						
MODEL#	WATTS	LUMENS	LM/WATT	CCT	CRI	VOLTAGE
PT-DLS-R-6I-14W-3CCT	14W	1000 (at 5000K)	71	3000K/4000K/5000K	90	120V

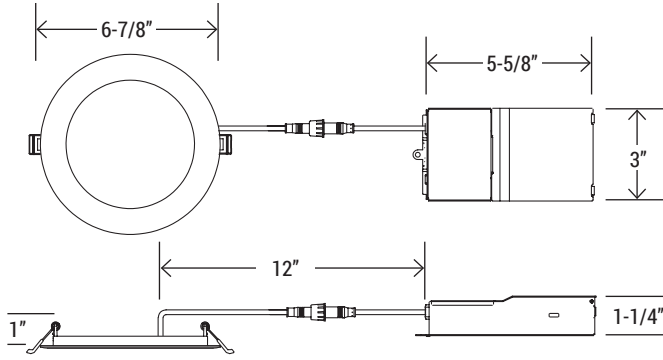
Project Name:	Notes:	Date:	Type:
---------------	--------	-------	-------



Easily flip the switch for desired CCT

• Sealing gasket standard

DIMENSION



(Cut-out: 6-1/4")

MOUNTING OPTIONS



UNI-DLS
4"/6" Universal Slim LED
Housing for New Construction



RP-DLS-6I
6" Slim LED Rough plate

PHOTOMETRY

