

### Safety Instructions

- Ensure the power supply is switched off before installation.
- Do not install this wall light where the ambient temperature can be below -20°C or exceeds 40°C.
- This wall light must be mounted on a non-flammable surface.
- After turning on the switch, temperature of bulb rises gradually, when bulb is lighting or not completely cooled, please don't touch bulb with hand.
- It should change bulb, please cut off the power first, then change the bulb after the bulb has been cooled enough (for details see the specified of changing bulb).
- The bulb must not exceed the specified wattage.
- When the lamp cover is broken, please change it as soon as possible, Never use the bulb after the bulb without lamp cover.
- Please don't look at the lighting directly.
- This wall light is of Class III construction.
- Do not use this wall light if it appears damaged in any way.
- This wall light must be installed in accordance with the current edition of the IEE Wiring Regulations.
- Please use the double-pole-off switch.

**If in doubt, contact a qualified electrician.**

### Maintenance instructions

- There are no user serviceable parts in this fitting.
- Periodically clean the housing and lens with a clean damp cloth and dry with a lint free cloth.

### Installation Instructions

BEFORE ATTEMPTING TO INSTALL UNITS, ENSURE POWER IS OFF, AND PLEASE PAY ATTENTION TO FOLLOWING STEPS:

#### Installation of the wall lamp

- Installation of wall lamp (Fig. 1)
- First install plastic expansion piece in wall.
- Insert two fixed screws in plastic plate.
- Fix the plastic plate onto the plastic expansion piece with self-tapping screws.
- Then put the lamp on the fixed screws and twist covered screw.
- Open upper lamp cover, screw a new bulb into lampholder, and close the upper cover, the bulb must not exceed wattage specified on the fixture label.
- Plug the low voltage cable into the socket on the mains transformer.
- Plug the mains transformer power lead into the mains outlet socket and switch on the mains supply.
- Fit fitting base onto the base cover with screws.
- Open upper lamp cover, screw a new bulb into lamp holder, and close the upper cover, the bulb must not exceed wattage specified on the fixture label.

#### DIRECTION OF CHANGE BULB:

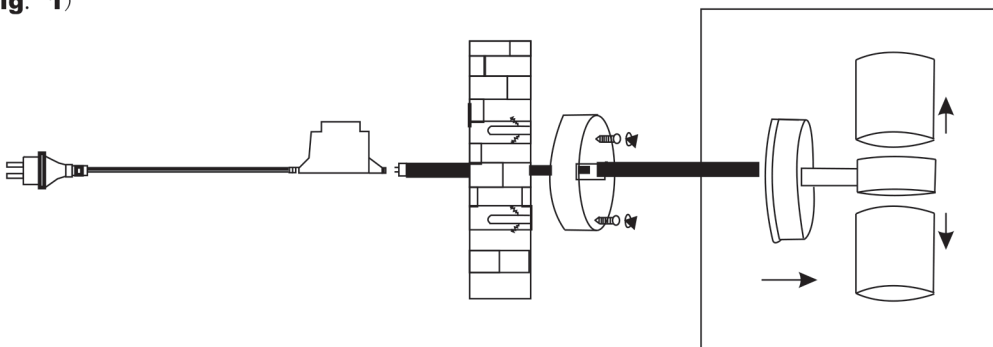
- Turn off the power.
- Open the upper cover of the lamp, Don't touch bulb with bare hand.
- After the bulb has cooled, twist out the bulb slightly.
- When installing bulb, please twist bulb into socket carefully
- Before turning on the power, please ensure to assemble the upper cover of the lamp correctly.

**Power supply: 12V AC~50-60Hz**

**Lamp type: MR16 2 × Max.35W or MR16 LED 2\*max.5w**

**Waterproof: Ip54**

(Fig. 1)



IF IN DOUBT ABOUT FITTING THIS PRODUCT, PLEASE CONSULT A QUALIFIED ELECTRICIAN

#### WARNING:

Before proceeding, make sure the wall light is switched OFF and the electricity is switched OFF at the mains supply board