



# XS-Line: Mini Floods

## 3-CCT w/ Selectable Photocell



### Detail Specifications

- Finish: Bronze, White, Black
- IP Rating: Wet Location (IP65)
- Beam Angle: 120°
- CCT: 30/40/50K Selectable
- Chip: SMD 2835, R9 >50, CRI >80
- Operating Temperature: -40° - 122° F
- Lens: PC Lens: Clear acrylic
- Average life (L70) of 50,000 hours

### Applications:

- Dock and Loading
- Walkways & Pathways
- Parking Lots
- Hospitality, Multi-Family
- Outdoor Corridors
- General Outdoor Lighting
- Residential, Commercial and Industrial

### Product Information:

- Sturdy die-cast aluminum housing finished with corrosion free powder coat
- XS-Line: Extra Small Body Line
- Selectable Photocell included on each fixture
- 1.5' STJW 18.3 AWG cable whip included
- Select-n-Switch Technology
- Instant-On to full brightness

### Driver Options:

- UNV: 120-277V or 277-480V 0-10V Dimmable
- Built in 6Kv Surge Protector
- THD: <20% (+/-5% tolerance), PF >0.9, 50/60Hz

### Mounting & Installation:

- 1/2" Knuckle mount installed on each fixture
- Yoke mount included in the box

### Certifications:

- UL Listed for USA and CA
- DLC Listed
- ROHS Compliant
- Approved for CA T24
- 5 Year Limited Warranty
- FCC CFR 47, GCC Part 15, Subpart B:2017

### Series

#### LED-FL-15W-TRI

15W • 1,950lm

#### LED-FL-30W-TRI

30W 3,900lm

#### LED-FL-3P60-TRI

60/50/40w • 7,800/6,500/5,200lm

#### LED-FL-3P100-TRI

100/80/60w • 13,500/10,800/8,100lm

#### LED-FL-3P150-TRI

150/120/100w • 20,250/16,200/13,500lm

### Color

#### BZ

Bronze  
(Standard)

#### WH

White

#### BL

Black

### Bracket

#### - KNYK - PC

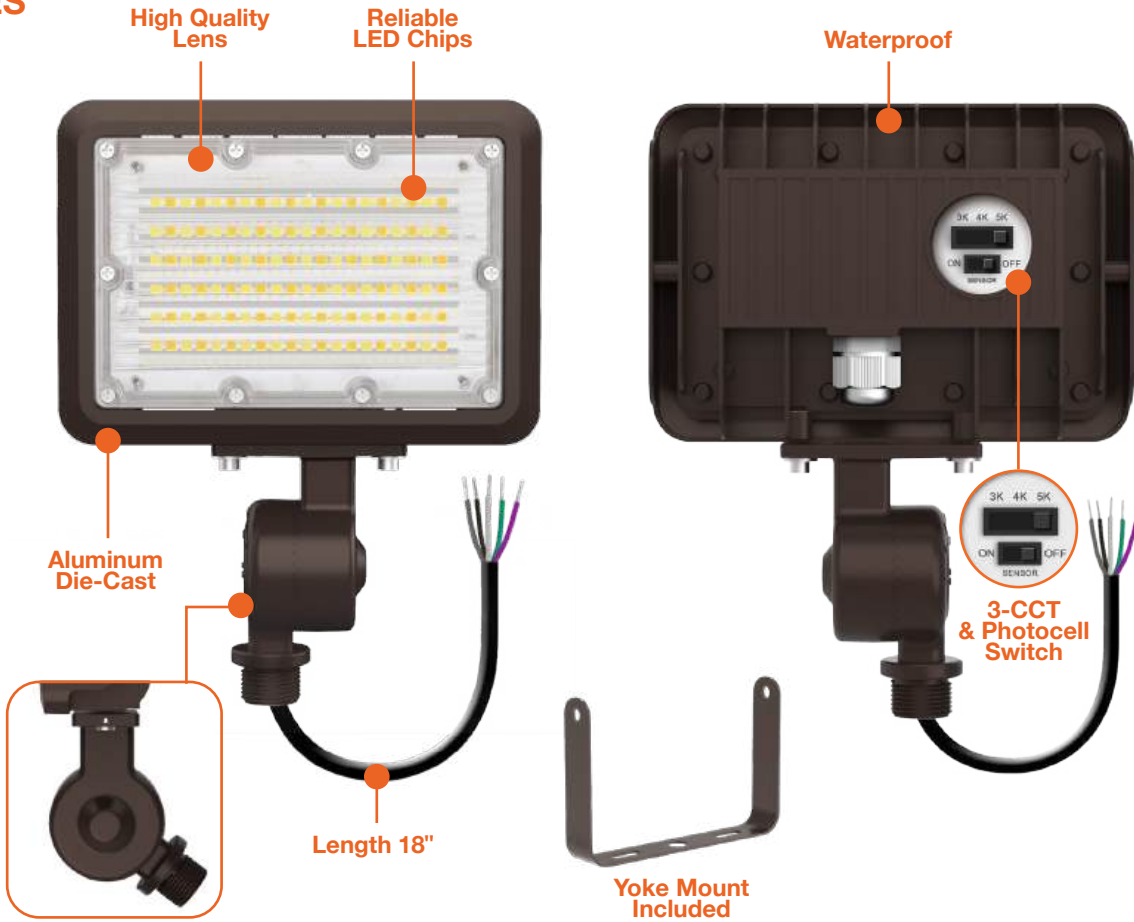
1/2" Knuckle  
Installed.  
Yoke  
included.

### Photocell

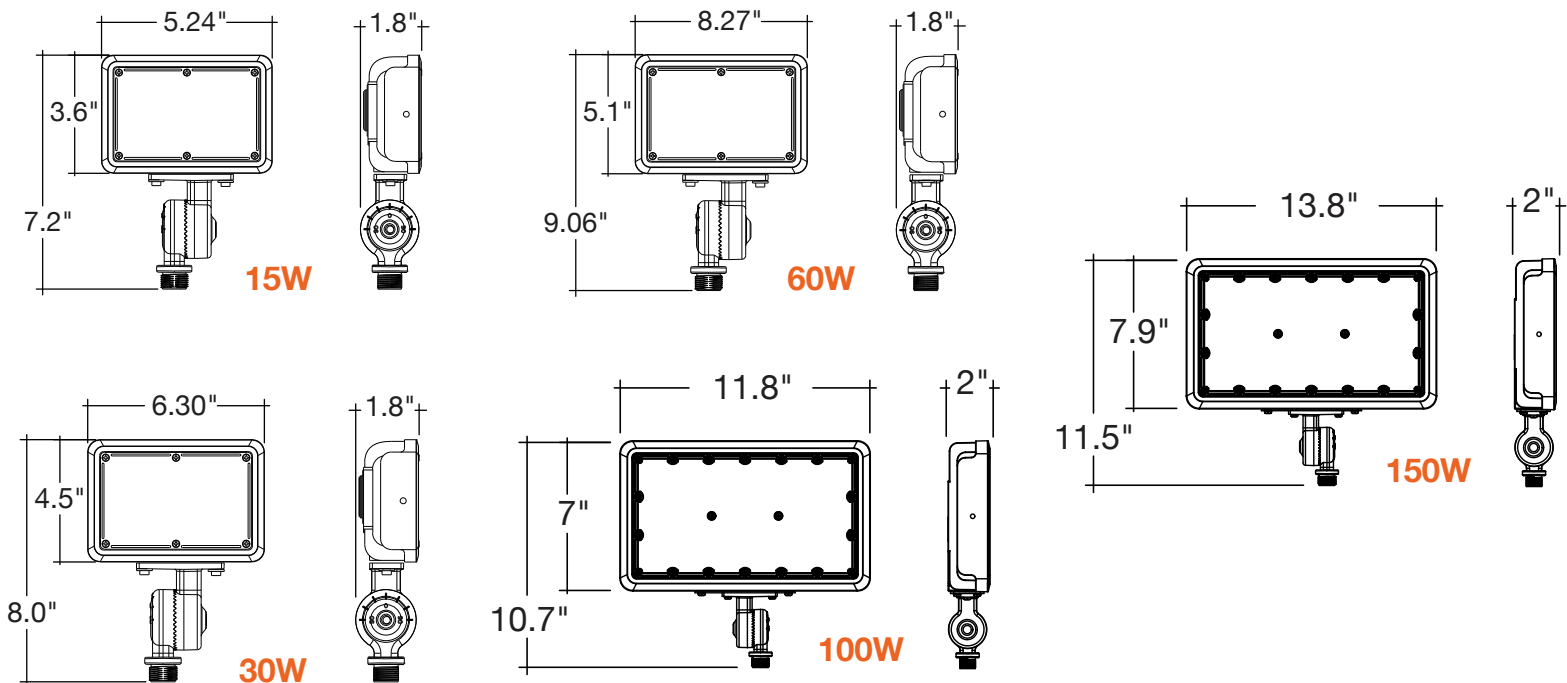
Selectable  
photocell  
is included.

Specs and model numbers are subject to change with or without notice.

**FEATURES**



**DIMENSIONS**



*Specs and model numbers are subject to change with or without notice.*