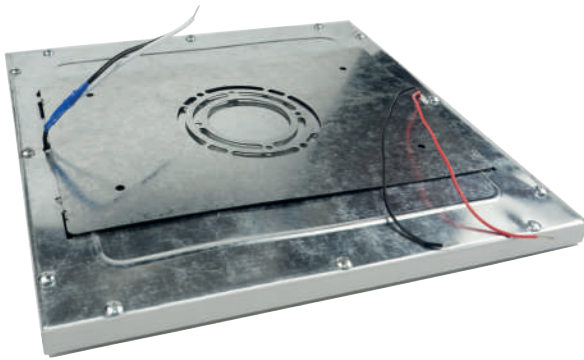


1X1 INTEGRATED LED PANEL



The EnVision LED integrated panels are edge-lit and do not have a driver in the back, allowing for an easy lay-in or a flush mounted recessed application. EnVisions driverless fixture is only .55 inches thick, allowing for a clean install. EnVision’s edge-lit panel gives off low glare and produces no hot spots.

Product Information:

- Dimmable with most dimmers down to 5%
- Edge-Lit: Ultra slim design emitting shadowless light, uniformity and no spots
- Power Efficiency: >0.87 / Power Factor: 0.9
- Chip: SMD 4014 LM80 Certification
- 5 Year Limited Warranty

What makes EnVisions Panel different?

- Powder Coated Edges
- Flicker-Free, Instant start, no UV radiation, no RF interference
- PMMA: More light transparency, Does not yellow
- Efficiency: 100LM/W

Applications:

- Recessed Lighting, Residential Lighting, Hallways, Living Spaces, Meeting Rooms

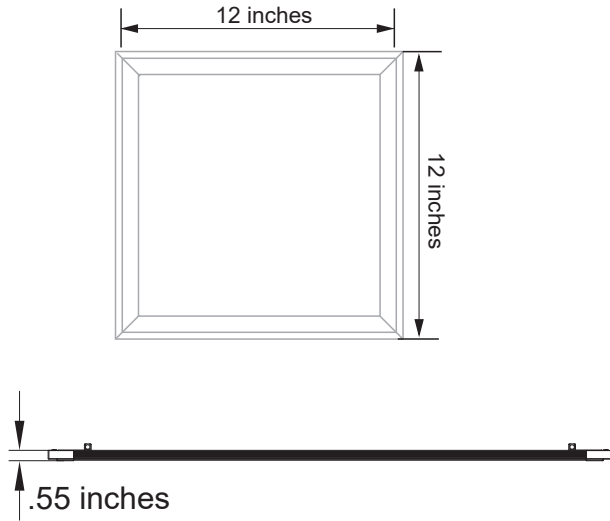
Accessories:

- Flush ceiling mount bracket included

Type	Model	Volt	Watt	LM/W	Lumen	Color	CRI	Beam Spread
1x1 Panel	LED-PNL-1x1-18W-27K	120V	18W	100lm/w	1,800	2700k	>90	120°
1x1 Panel	LED-PNL-1x1-18W-30K	120V	18W	100lm/w	1,800	3000k	>90	120°
1x1 Panel	LED-PNL-1x1-18W-40K	120V	18W	100lm/w	1,800	4000k	>90	120°
1x1 Panel	LED-PNL-1x1-18W-50K	120V	18W	100lm/w	1,800	5000k	>90	120°

1X1 INTEGRATED LED PANEL

DIMENSIONS AND DIMMING



DIMMER COMPATIBILITY				
Brand	Series	Model	Load	Dimmability
Lutron	Ariadni	AYCL-153P	150W	OK
	Diva	DV-600PR	600W	OK
	Diva	DVCL-153P	150W	OK
	Maestro	MACL-153MH	600W	OK
	Maestro Wireless	MRF2-6CL	150W	OK
	Rotary	D-600P	600W	OK
	Electronic(ELV)	NTELV-300P	600W	OK
	Skylark	S-600P	600W	OK
	Skylark Contour	CT-600P	600W	OK
	Skylark Contour	CTCL-153P	150W	OK
	Toggler	TG-600P	600W	OK
	Toggler	TGCL-153P	150W	OK
Leviton	Sureslide	6633	600W	OK
	Sureslide Decora	6674	600W	20-100%
	Trimatron	6602	600W	20-100%
	ILLVMATECH	IPL06	600W	OK
Legrand	Adorne	ADTP703TU	700W	20-100%
	Harmony	H703PTW	700W	OK
Cooper	Aspire	9540	1000W	OK
	Devine	DAL06P	300W	OK

List reflects suggested dimmers, but is not limited to the provided models.

FEATURES

Edge-Lit Technology

Uniformed light distribution with no glare or hot spots

White Frame

Powder coated frame with seamless bezel

Integrated Driver

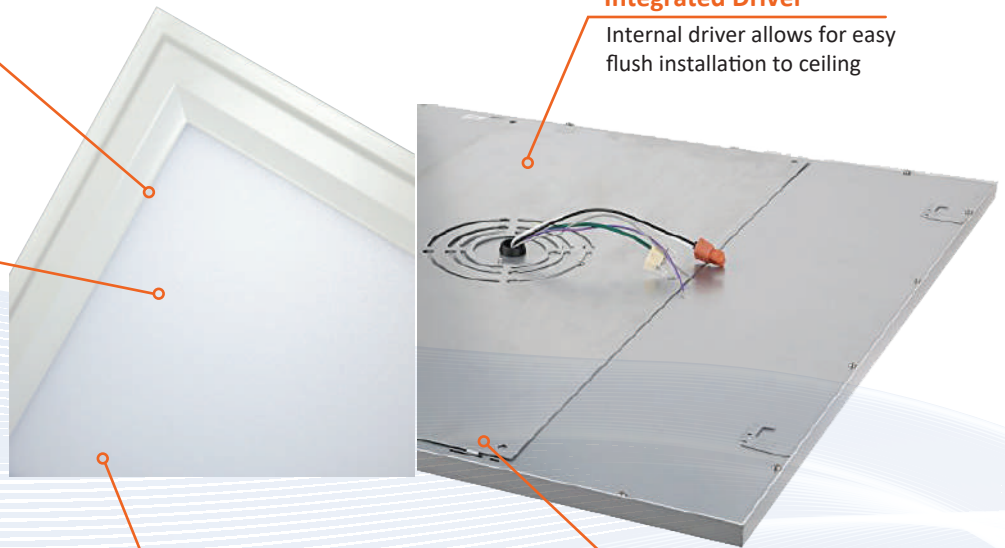
Internal driver allows for easy flush installation to ceiling

Durable Construction

PMMA Lens not PS prevents yellowing

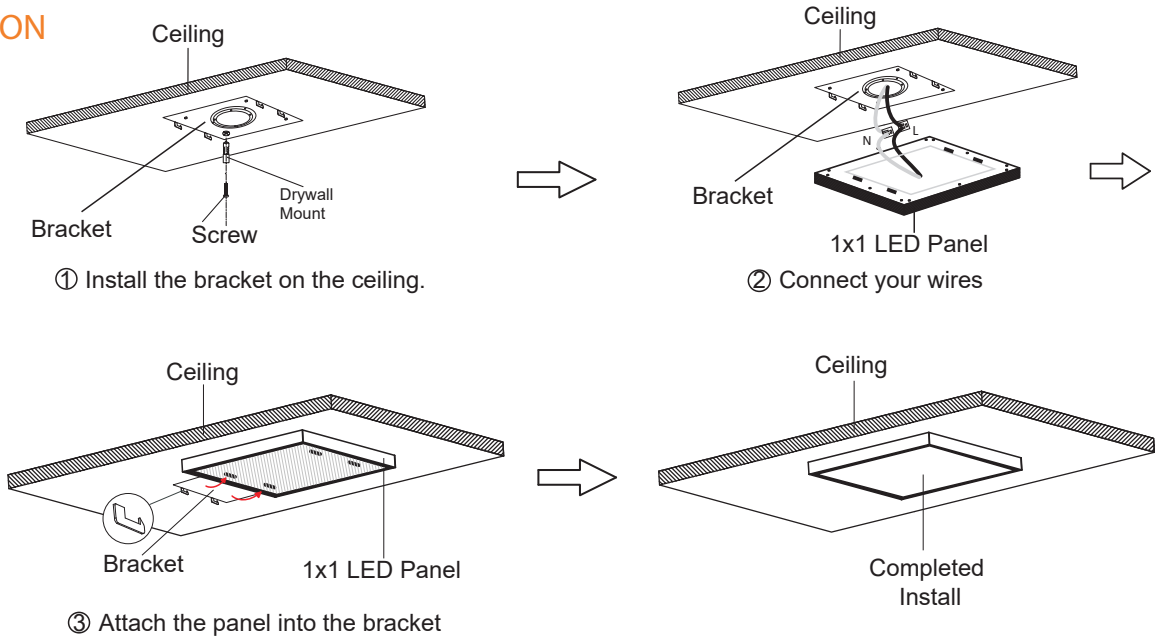
Easy Installation

Includes a ceiling bracket without the need of a surface mount kit



1X1 INTEGRATED LED PANEL

INSTALLATION



 Make sure the panel is attached securely into the bracket

PHOTOMETRICS

LUMINOUS INTENSITY DISTRIBUTION DIAGRAM

