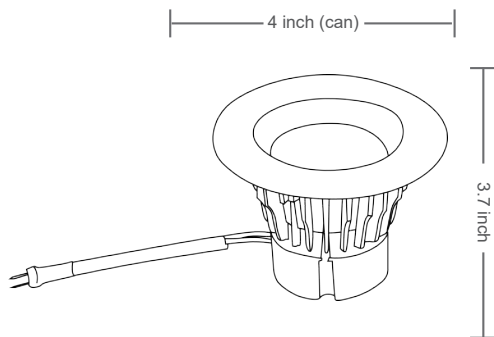


DOWNLIGHT 4INCH 12V



The EnVision 12V Low Voltage MR-16 Bi-Pin retrofit downlight surpasses most other recessed lights on the market. It has an aluminum heatsink for efficient heat dissipation, and a state of the art LED driver which gives it excellent dimming performance. Replace a traditional MR-16 in a low voltage can to a 750 Lumen fully dimmable downlight. The light turns on instantly, and is not affected by frequent on/off switching.

Applications:

- Recessed Downlighting
- New Construction
- Residential Lighting

Product Information:

- Increase energy savings and shorten payback period
- High intensity: ready to replace existing 75w halogens
- Title 24 (Ideal) Connector Plug or Bi-Pin GU 5.3
- Dimmable: Compatible with most dimmers down to 5%
- Fits most MR-16 4inch cans
- Works with magnetic transformers

Type	Model	Volt	Watt	Lumen	Color	CRI	Beam Spread
Round	LED-FL-RES-4-11W-WW-12V	12V AC/DC	11W	750	Warm-3000k	>83	120°
Round	LED-FL-RES-4-11W-DL-12V	12V AC/DC	11W	750	Day- 5000k	>83	120°
Square	LED-SQ-RES-4-11W-WW-12V	12V AC/DC	11W	750	Warm-3000k	>83	120°
Square	LED-SQ-RES-4-11W-DL-12V	12V AC/DC	11W	750	Day- 5000k	>83	120°