

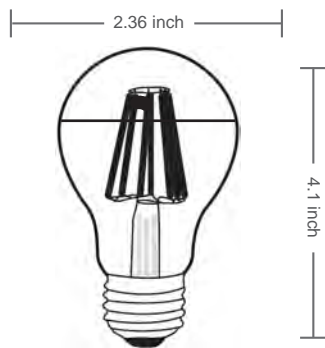
# HM FILAMENT A-19



The EnVision Filament Half Mirror A19 LED achieves a perfect 180° beam spread, puts off very little heat, and importantly contains no mercury. Lastly, for each bulb replaced, not only do you save in energy costs, but you are helping to lower your impact on the environment as well

### Applications:

- Indoor Lighting
- Decorative Lighting
- Residential Lighting



### Product Information:

- Increase energy savings and shorten payback period
- High intensity: ready to replace existing 40w halogen
- Suitable for use in existing fixtures
- Dimmable: Up to 5%
- 3 Year Limited Warranty

Type	Model	Volt	Watt	Lumen	Color	CRI	Beam Spread
Filament A19	LED-FLM-A19HM-4W-18K	120V	4W	400	Amber- 1800k	>83	180°