



Project: _____
 Part#: _____
 Type: _____



Square Slim Canopy Light 3-Power + 3CCT Selectable

EnVisionLED's innovative Square Slim Canopy Light provides bright, even illumination for applications where high efficacy is desired. Offering a universal mounting bracket for ease of installation means less labor costs and with our **Select-N-Switch technology**, your choice of wattage and color temperature can be chosen at the time of installation. This Square Canopy provides unique reverse-throw lighting which gives up light, avoiding the common cave effect with other products on the market. Optional motion sensor modulates light intensity when nearby vehicles or occupants are detected.

Product Information:

- UL certified
- IP67-rated
- 0-10V Dimmable
- No UV emission
- Internal 100-277V Driver
- PF >0.9 / Input: .85A/ Output: 36-66V DC
- Operating Temperature: -4° F ~ 124° F
- Storing Temperature: -40° F ~ 185° F

Why the EnVision Parking Garage Light?:

- Optic lens provides forward and reverse throw light
- Easy installation with universal mounting plate
- 5 year limited warranty.
- Instant start, NO flickering, NO humming.

Applications:

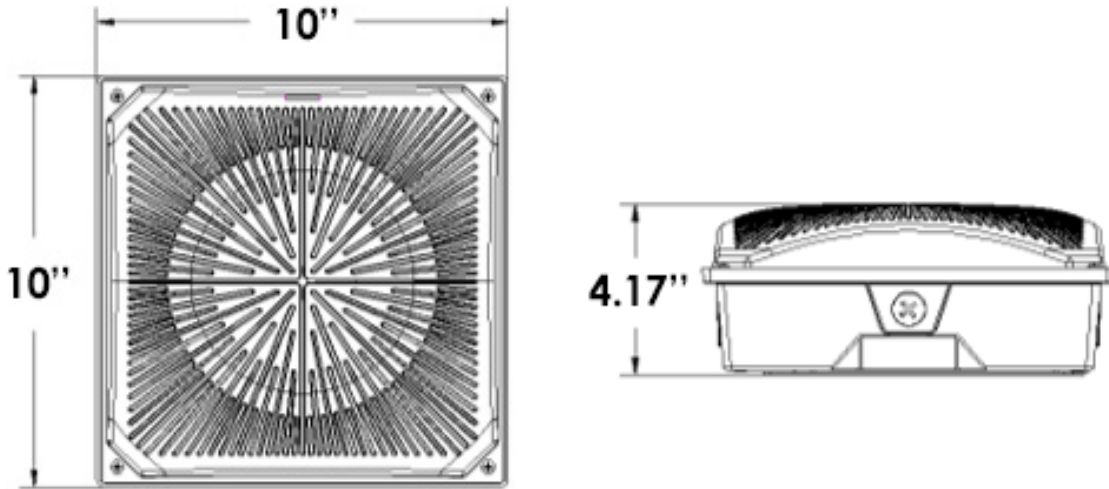
- Parking Structures
- Canopies
- Car Parks
- Soffits

Series	Wattage	TRI	Finish	Accessories	EMB	Warranty
LED-SCP	25W 3,625lm 3P60 40W 5,800lm 60W 8,700lm	TRI 30/40/50K Selectable	WH White BZ Bronze	(Blank) HB01DMS-A None Daylight Sensor/ Bi-Level Motion Sensor HB01R Controller for HB01DMS-A (Controls Multiple)	(Blank) EMB None 20W Internal Emergency Backup	(Blank) 10YR 5 Year (incl.) 10 Year
Optional Pre-Installed Accessories						
-SBT	Bluetooth Control					
-BMS	Bi-Level Motion Sensor					
-HV	347-480V Driver for Fixture					

Specs and model numbers are subject to change with or without notice



DIMENSIONS



FEATURES

3-Power + 3CCT Selectable

Choose between 3 different wattages and color temps in one single fixture

Selectable wattages:
25/40/60W (145lm/w)

Selectable color temps:
3000K/4000K/5000K

Optic Lens

Each chip is controlled in order to provide forward throw light output

Instant Start

No flickering or humming. Light is soft and uniform while being easy on the eyes

Reverse-Throw Light

Light is emitted from the back of the fixture as well as the front

Integrated Heatsink

Improves longevity of fixture by dissipating heat generated during operation

Rugged Aluminum Housing

Robust die-cast aluminum housing includes corrosion resistant primer and powder coat finish

