

Project: \_\_\_\_\_  
 Part#: \_\_\_\_\_  
 Type: \_\_\_\_\_

## LARGE OUTDOOR FLOOD/AREA LIGHTS SHOEBOX, FLOOD LIGHT, POLE APPLICATIONS



Light up your outdoor area with The EnVision Bolt Series, a line of Area Light fixtures with high lumen per watt efficacy combined with a stunning finish. The Large BOLT series are available in a trunnion, yoke, slip fitter, or straight arm mount. The EnVision area floods are equipped with a diecast aluminum housing, finished with a matte bronze power paint, and anti-corrosion priming. Enjoy lighting up your outdoor area with over 125lm/w+ efficiency.

### Applications:

- General outdoor lighting
- Landscape lighting
- Pathways, streets, loading areas, etc.

### Detail Specifications

- Average life (L70) of 70,000 hours with the integration of Philips Lumileds 3030 chips
- Operating temperature -4 -- + 114 F°
- PF >0.9 / Input: .85A/ Output: 36-66V DC

### Product Information:

- Sturdy die-cast aluminum housing finished with corrosion free powder coat
- Suitable for wet location, professionally waterproofed IP67
- Type III optics standard/ Type I, II, IV, & V by request
- Slim and architectural fixture
- 1.5 Ft power cable cord connected to every fixture
- 7 year limited warranty (refer to website for more info)

L
E
D
-
A
R
L
-
Watts
-
Color
-
Finish
-
Bracket
-
Warranty
-
Controls
-
Optics

#### 1 Product

LED-ARL ARE LIGHT/ FLOOD LIGHT LED

#### 2 Watts/Lumens

100W	12,363 LM
150W	17,904 LM
240W	29,542 LM
300W	37,360 LM

#### 3 Color

40K	4000K
50K	5000K

#### 4 Finish

BZ	Bronze
----	--------

#### 5 Bracket

YK	Yoke
TR	Trunnion
SF	Slip Fitter
SA	Straight Arm

#### 6 Warranty

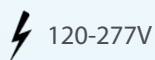
(blank)	7 Year Warranty
10YR	10 Year Warranty Optional

#### 7 Controls

(blank)	None
PC	Photocell
BMS	Bi-Level Motion
SBT	Smart Bluetooth Control

#### 8

I	Type I
II	Type II
III	Type III (Standard)
IV	Type IV
V	Type V



**BRACKET TYPES**



**Slip Fitter (Type A)**

- Shoebox fixture bracket
- For use in round poles
- Inner diameter of 2.5" to fit 2-2.4" pole
- Adjustable design to angle area light luminaire



**Straight Arm (Type B)**

- Shoebox fixture bracket
- For use with round or square poles
- Can be used for shoebox



**Trunnion Mount (Type C)**

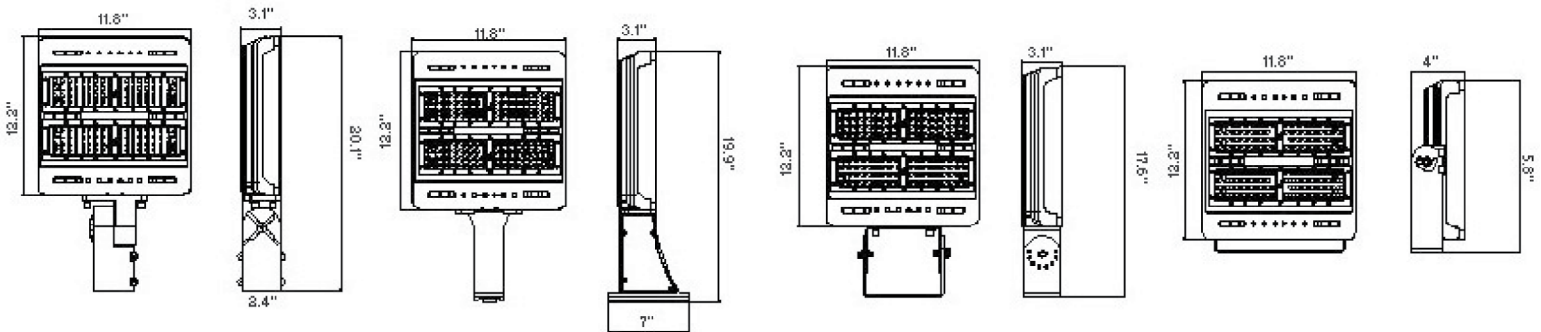
- Flood light bracket
- Ideal use on a wall
- Can be used for shoebox
- Adjustable design to angle area light luminaire



**Yoke Bracket (Type D)**

- Flood light bracket
- Ideal use on a wall
- Adjustable design to angle area light luminaire

**DIMENSIONS 100/150W**



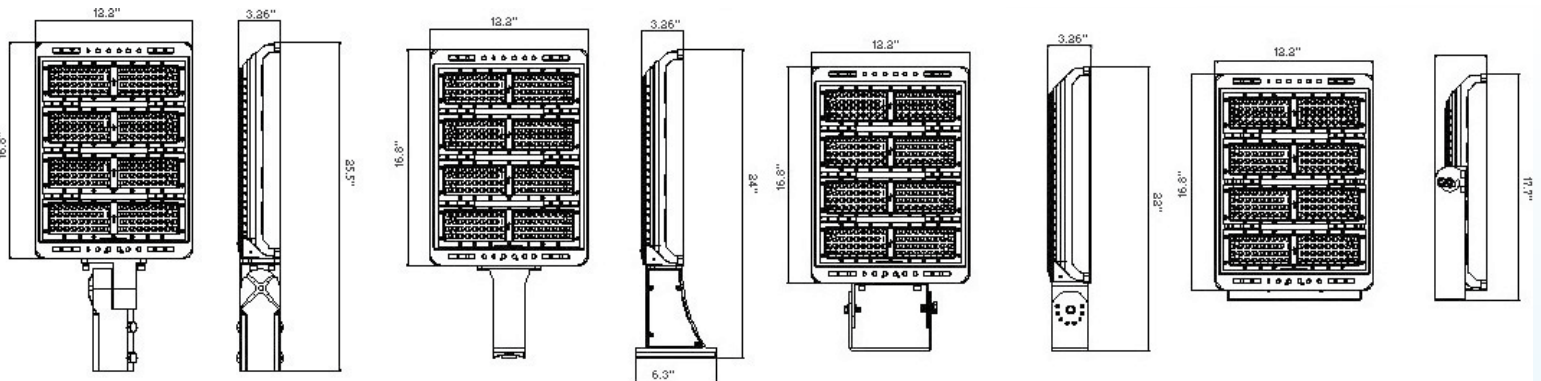
**Slip Fitter**

**Straight Arm**

**Trunnion**

**Yoke**

**DIMENSIONS 240/300W**



**Slip Fitter**

**Straight Arm**

**Trunnion**

**Yoke**

**ACCESSORIES**



**Optic Lenses**  
 -100/150W 2 Pieces Required  
 -240/300W 4 Pieces Required



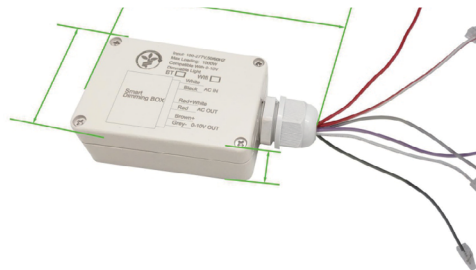
**Photocell Receptacle**  
 -Also includes a plate to replace existing housing



**Photocell**  
 -Dusk to Dawn Control

**ACCESSORIES MODEL #**

Accessory Model	Accessory Description
LED-ARL-OPTICS-T-I	Type I Optical Lens
LED-ARL-OPTICS-T-II	Type II Optical Lens
LED-ARL-OPTICS-T-IV	Type IV Optical Lens
LED-ARL-OPTICS-T-V	Type V Optical Lens
ARL-2MOD-PC	Photocell Backplate (100/150w)
ARL-4MOD-PC	Photocell Backplate (240/300w)
LED-TWL-PC	3-Pin Photocell
POLE-MS-BLM	Bi-Level Motion Sensor
LED-ARL-SF	Slip Fitter Bracket
LED-ARL-SA	Straight Arm Bracket
LED-ARL-YK	Yoke Bracket
LED-ARL-TR	Trunnion Bracket
SMART-MOD-BT	Bluetooth Control Module
SMART-MOD-BT-GTW	Bluetooth Control Gateway



**Smart Module**  
 Bluetooth Control hooks up to 0-10V wires  
 Dimming and time control with mobile device



**Yoke**



**Trunnion**

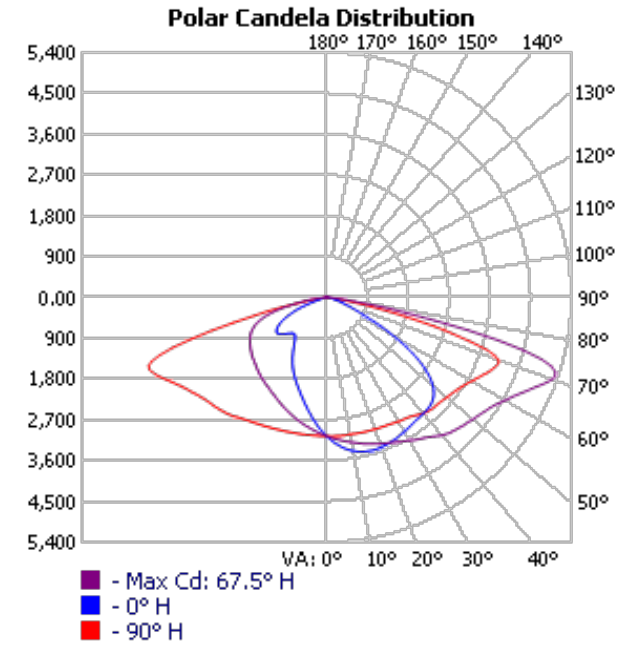
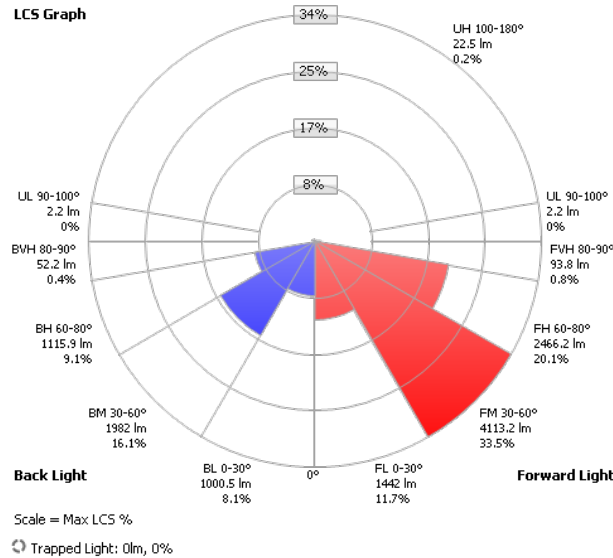
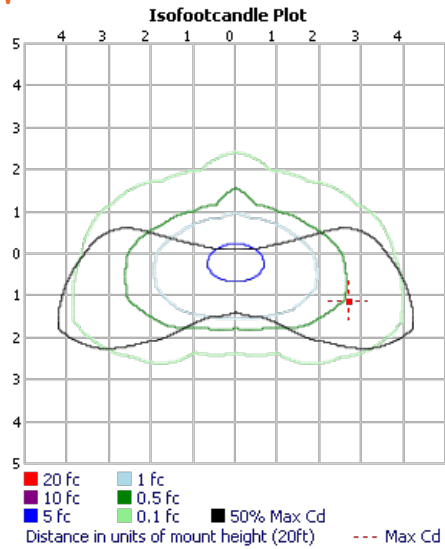


**Slip Fitter**



**Straight Arm**

100W



150W

