



XS-Line: Mini Floods

3-CCT w/ Selectable Photocell



Detail Specifications

- Finish: Bronze, White, Black
- IP Rating: Wet Location (IP65)
- Beam Angle: 120°
- CCT: 30/40/50K Selectable
- Chip: SMD 2835, R9 >50, CRI >80
- Operating Temperature: -40° - 122° F
- Lens: PC Lens: Clear acrylic
- Average life (L70) of 50,000 hours

Applications:

- Dock and Loading
- Walkways & Pathways
- Parking Lots
- Hospitality, Multi-Family
- Outdoor Corridors
- General Outdoor Lighting
- Residential, Commercial and Industrial

Product Information:

- Sturdy die-cast aluminum housing finished with corrosion free powder coat
- XS-Line: Extra Small Body Line
- Selectable Photocell included on each fixture
- 1.5' STJW 18.3 AWG cable whip included
- Select-n-Switch Technology
- Instant-On to full brightness

Driver Options:

- UNV: 120-277V or 277-480V 0-10V Dimmable
- Built in 6Kv Surge Protector
- THD: <20% (+/-5% tolerance), PF >0.9, 50/60Hz

Mounting & Installation:

- 1/2" Knuckle mount installed on each fixture
- Yoke mount included in the box

Certifications:

- UL Listed for USA and CA
- DLC Listed
- ROHS Compliant
- Approved for CA T24
- 5 Year Limited Warranty
- FCC CFR 47, GCC Part 15, Subpart B:2017

Series

LED-FL-15W-TRI

15W • 1,950lm

LED-FL-30W-TRI

30W 3,900lm

LED-FL-3P60-TRI

60/50/40w • 7,800/6,500/5,200lm

LED-FL-3P100-TRI

100/80/60w • 13,500/10,800/8,100lm

LED-FL-3P150-TRI

150/120/100w • 20,250/16,200/13,500lm

Color

BZ

Bronze
(Standard)

WH

White

BL

Black

Bracket

- KNYK - PC

1/2" Knuckle

Installed.

Yoke

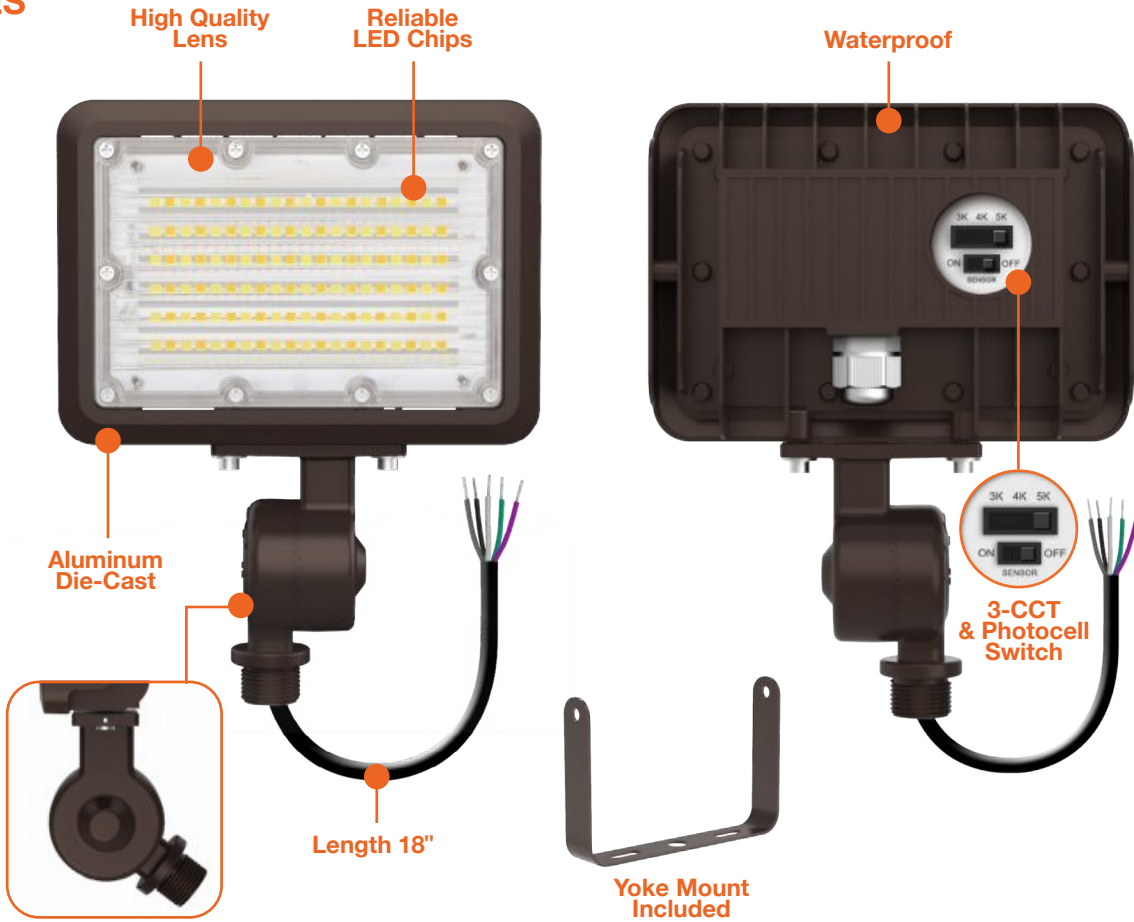
included.

Photocell

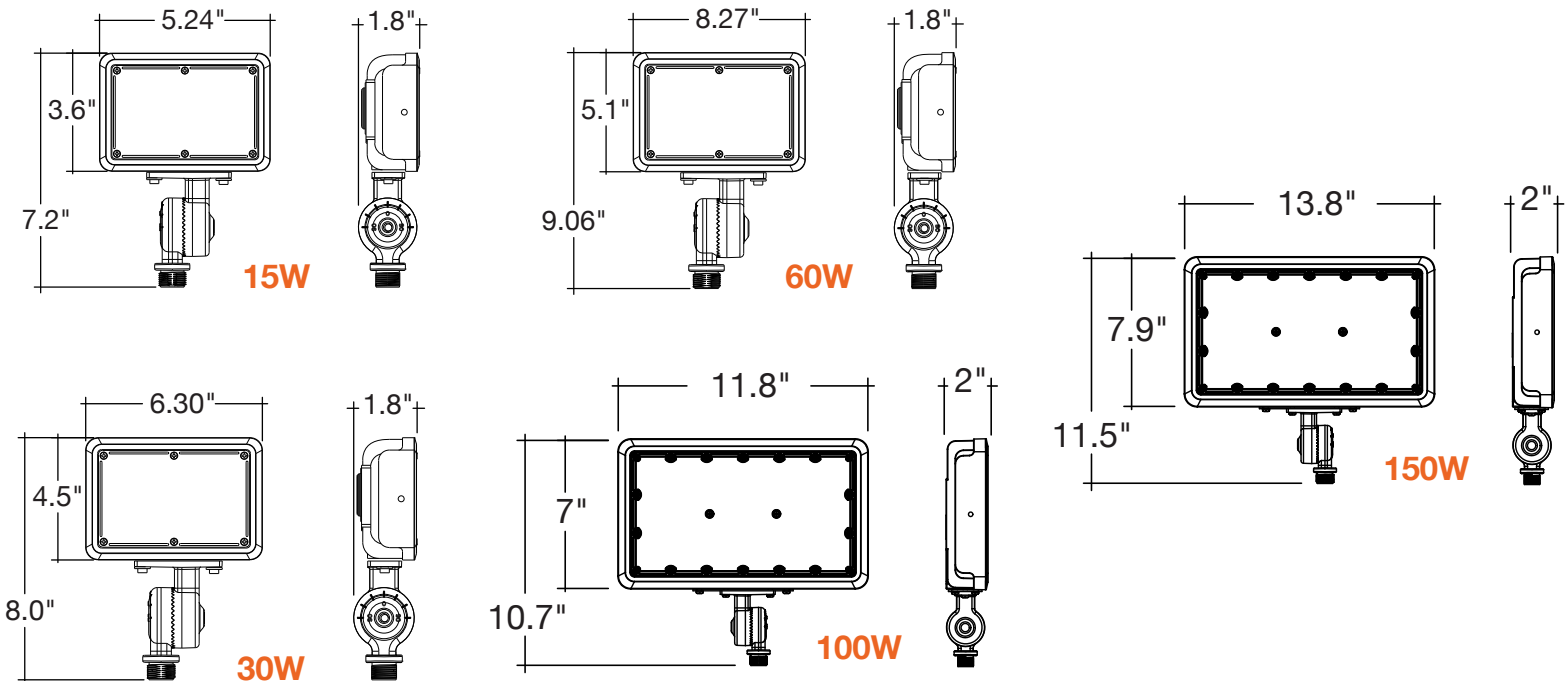
Selectable
photocell
is included.

Specs and model numbers are subject to change with or without notice.

FEATURES



DIMENSIONS



Specs and model numbers are subject to change with or without notice.