

Square Slim Canopy Light 150W Version

The EnVision Canopy replacement LED integrates high performance and quality in a slim design. With the integration of a Meanwell Driver, and Philips LED Chips, the recessed canopy provides high light output along with savings in energy and maintenance cost.

Applications:

- Parking Lot Lighting
- Gas Station Lighting
- Commercial Lighting
- Canopy Replacement

Product Information:

- Aluminum housing for heat dissipation
- High intensity: Ready to replace existing 400W fixture
- Suitable for retrofit with existing fixtures
- 100-277VAC
- PF >0.9 / Input: .85A/ Output: 36-66V DC
- 100° Beam Angle
- Operating Temperature: -40° F ~ 140° F
- Storing Temperature: -40° F ~ 185° F

Why the EnVision Parking Garage Light:

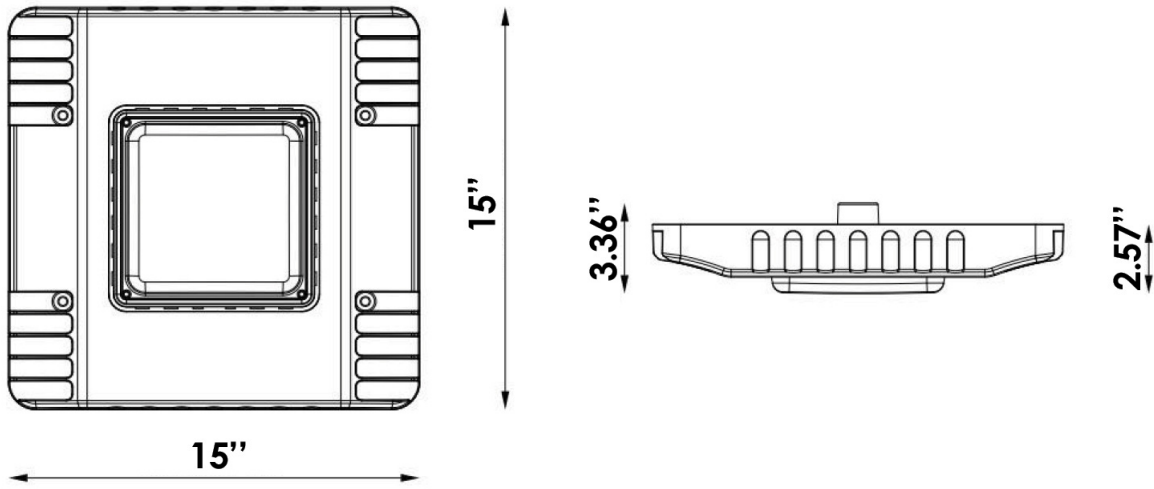
- Optic lens provides forward and reverse throw light
- Easy installation with universal mounting plate
- 5 year limited warranty.
- Instant start, NO flickering, NO humming.
- IP65 Outdoor use

Product	Wattage	Color	Warranty
LED - CP2 -	150W -	50K -	
1	2	3	4

1 Product	2 Wattage	3 Color	4 Warranty
LED-CP2	150W 18,000lm	50K 5,000K	(Blank) 5 Years (incl.) 10YR 10 Years

Specs and model numbers are subject to change with or without notice.

DIMENSIONS



FEATURES

Reverse-Throw Light

Light is emitted from the back of the fixture as well as the front

Optic Lens

Each chip is controlled in order to provide forward throw light output

Instant Start

No flickering or humming

Integrated Heatsink

Improves longevity of fixture by dissipating heat generated during operation

Rugged Aluminum Housing

Robust die-cast aluminum housing includes corrosion resistant primer and powder coat finish

