

# Slim-Line: 4FT Linear High Bay

## 3-CCT + 5-Power Selectable



### Detail Specifications

- Finish: White
- IP Rating: Damp Location
- Beam Angle: 110°
- Chip: SMD 2835, R9 >50, CRI >80
- Operating Temperature: -4° - 122° F
- Lens: Clear Prismatic Ribbed
- Low Glare
- Average life (L70) of 70,000 hours

### Applications:

- Warehouse/Distribution Facility
- Utility & Storage
- Garage Structures
- Commercial and Industrial

### Product Information:

- Aluminum housing finished with corrosion free power coat
- Replace existing fixtures or use in new construction
- Easy maintenance: driver access from front
- Instant-On to full brightness
- Twist-C Control: Control ready receptacle built into each fixture

### Driver Options:

- UNV: 120-277V 0-10V Dimmable
- HV: 347-480V 0-10V Dimmable
- THD: <20% (+/-5% tolerance), PF >0.9, 50/60Hz

### Mounting & Installation:

- 3.5' adjustable suspension kit included
- Optional 10' & 20' adjustable suspension kit available
- Optional 6' chain kit available
- Optional surface mount kit available
- Optional pendant mount kit available

### Certifications:

- UL Listed for USA and CA
- DLC Premium Listed
- ROHS Compliant
- Approved for CA T24
- 5 Year Limited Warranty
- FCC CFR 47, GCC Part 15, Subpart B:2017

WATT	LUMENS
160	23,200
200	29,000
240	34,800
280	40,600
320	46,400

Series	CCT	Voltage <sup>1</sup>	Whip <sup>2</sup>	Plug	Optic	EMB
<b>LED-LHB-4FT-5P320</b>	<b>CTRI</b>					
160/200/240/280/320W	30/40 50K	<b>UNV</b> 120- 277V <b>HV</b> <sup>1</sup> 347- 480V	<b>(Blank)</b> No Whip <b>-6</b> 6ft Whip 3-Wire <b>-10</b> 10ft Whip 3-Wire <b>-20</b> 20ft Whip 3-Wire <b>-6F</b> 6' Whip 5-Wire <b>-10F</b> 10' Whip 5-Wire <b>-20F</b> 20' Whip 5-Wire	<b>(Blank)</b> Hardwire <b>SB</b> 5-15P Straight Blade <b>TL</b> L5-15P Twist Lock Plug	<b>(Blank)</b> 110° Standard <b>30D</b> <sup>2</sup> 30°	<b>(Blank)</b> No Emergency Back-Up <b>EMB25</b> 25W 90 minute emergency backup <b>EMB40</b> 40W 90 minute emergency backup

1. HV: High voltage is made to order.

2. 3-wire: for non-dimming or twist-c sensor applications. 5-wire: for 0-10v dimming applications. Emergency models will ship standard with extra emergency wire.

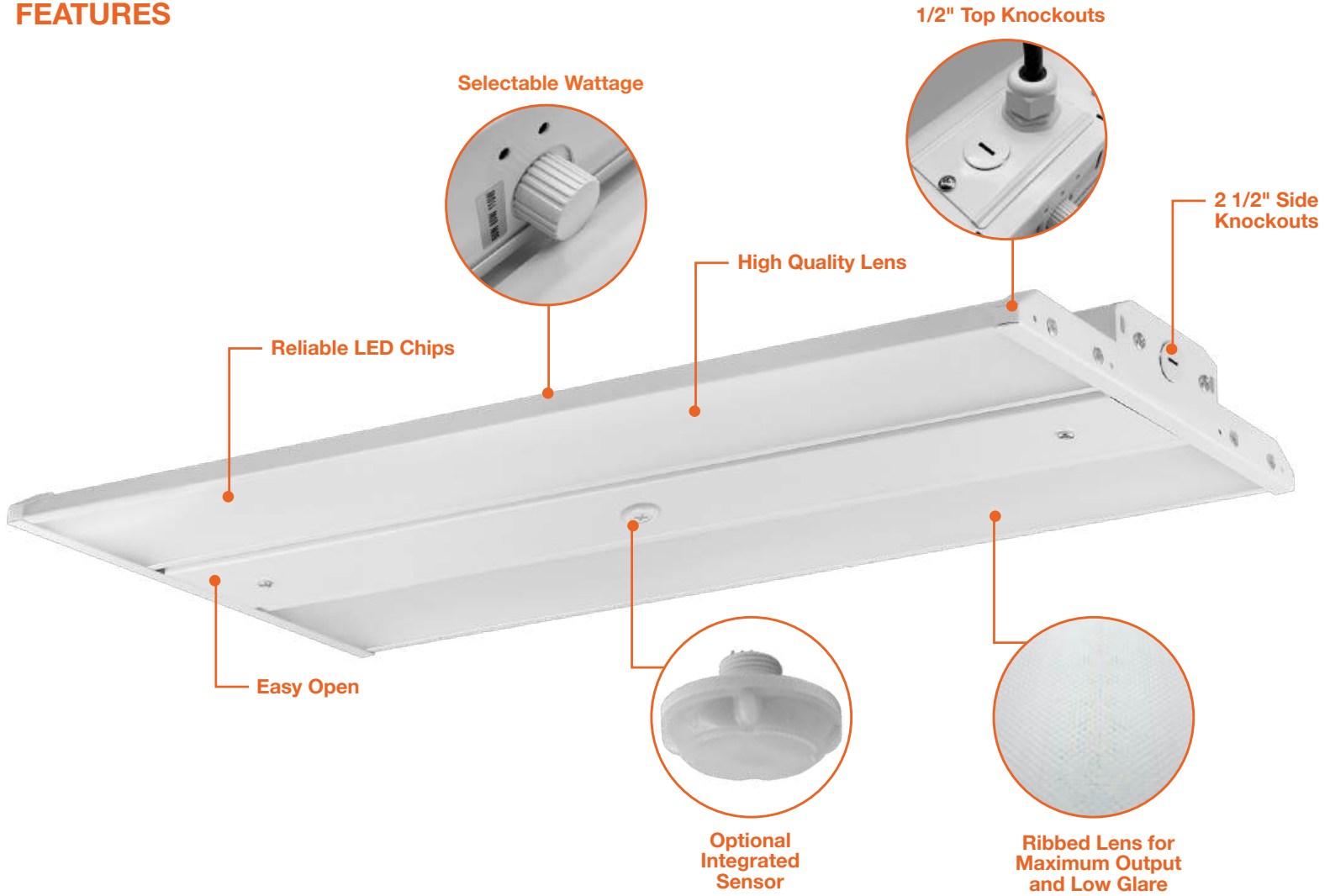
### Optional Accessories (Order Separately)

Suspension Kits	Mounting Kits	Wire Guards	Whips (Field Install)	Sensors <sup>1</sup>	Sensor Remote
<b>SK-10FT-Y-LC-PD</b> 10' Y-Shape, Loop Top, Paddle Bottom (Adjustable Length)	<b>LHB-3P-PDM</b> 320W Pendant Mount Kit	<b>LHB-3P-4FT -WG</b> 2ft 220 & 320W	<b>6'-WHIP-1/2KO</b> 6' Whip <b>10'-WHIP-1/2KO</b> 10' Whip Custom whips to size available <b>20'-WHIP-1/2KO</b> 20' Whip Custom whips to size available	<b>S-TWC-MW-1</b> Microwave Bi-Level Motion + Daylight Sensor (Remote Req'd) <b>S-TWC-PIR-1</b> PIR Bi-Level Motion + Daylight Sensor (Remote Req'd) <b>S-TWC-MW-BT</b> Bluetooth or Android Microwave Bi-Level Motion + Daylight Sensor <b>S-TWC-PIR-BT</b> PIR Microwave Bi-Level Motion + Daylight Sensor	<b>S-LINE-R</b> Remote for S-Line Sensor <b>ENVISION</b> <b>CONNECT</b> Bluetooth smart app. Download on Apple or Android app store.
<b>SK-20FT-Y-LC-PD</b> 20' Y-Shape, Loop Top, Paddle Bottom (Adjustable Length)	<b>LHB-3P-SM</b> 320W Surface Mount Kit				
<b>SK-10FT-Y-LC-CB</b> 10' Y-Shape, Loop Top, Carabiner Bottom (Adjustable Length)					
<b>SK-20FT-Y-LC-CB</b> 20' Y-Shape, Loop Top, Carabiner Bottom (Adjustable Length)					
<b>CK-6FT-V</b> 6' chain hanging kit					

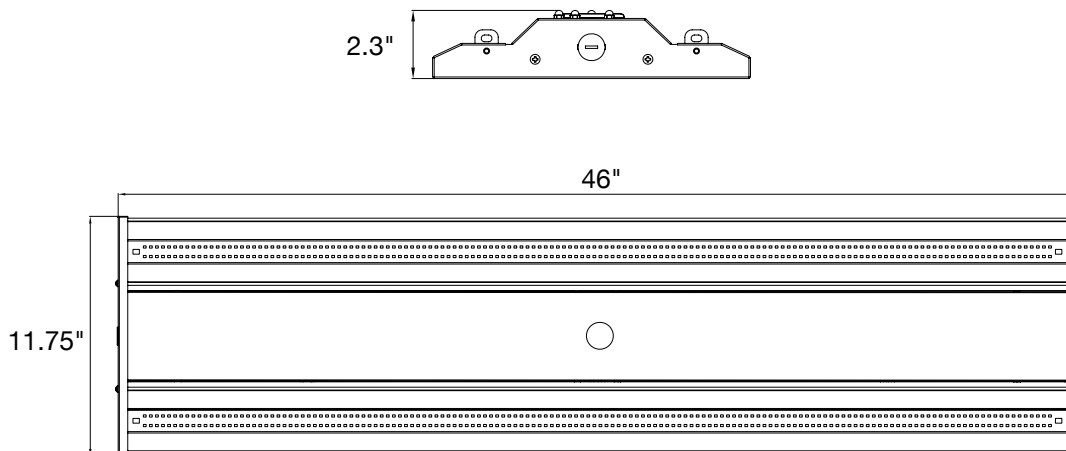
#### 1. Sensor Note:

Microwave: Detects motion through barriers such as walls, and doors. Ideal for applications where obstacles might obstruct the line of sight. Works effectively outdoors, in large open spaces, & parking lots. Do not use in areas of high vibrations or metal.  
PIR: Ideal for indoor environments with clear lines of sight to the area of interest. Detects warm objects, like a person or animal. Good for high vibration, areas of metal.

**FEATURES**



**DIMENSIONS**



## ACCESSORIES



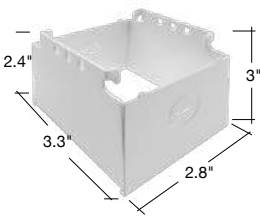
**SK-10FT-Y-LC-PD**  
**SK-20FT-Y-LC-PD**



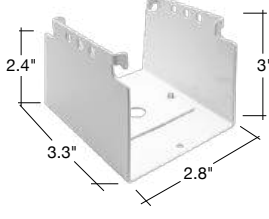
**SK-10FT-Y-LC-CB**  
**SK-20FT-Y-LC-CB**



**CK-6FT-V**



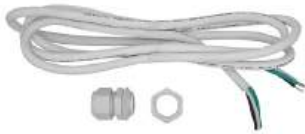
**Pendant Mount 2ft**  
**LHB-2FT-3P-PDM**  
Center Hole Size .85"



**Surface Mount 2ft**  
**(2 Pcs)**  
**LHB-2FT-3P-SM**  
Center Hole Size 1"  
Center Hole Size  
w/ Plate .43"



**LHB-3P-4FT-WG**



**6'-WHIP-1/2KO**  
**10'-WHIP-1/2KO**  
**20'-WHIP-1/2KO**



**S-TWC-MW-1**  
**S-TWC-MW-BT**



**S-TWC-PIR-1**  
**S-TWC-PIR-BT**



**S-LINE-R**  
Controller



**SB**  
5-15P Straight  
Blade Plug



**TL**  
L5-15P Twist  
Lock Plug

## HIGHBAY FIXTURE

Model	Voltage	Watts	Lumens	Color
LED-LHB-4FT-5P320-CTRI-UNV	120-277V	320/280/240/200/160w	145lm/w	5000k

## SUSPENSION KITS

Accessory	Description
SK-10FT-Y-LC-PD	10' Y-Shape, Loop Top, Paddle Bottom (Adjustable Length)
SK-20FT-Y-LC-PD	20' Y-Shape, Loop Top, Paddle Bottom (Adjustable Length)
SK-10FT-Y-LC-CB	10' Y-Shape, Loop Top, Carabiner Bottom (Adjustable Length)
SK-20FT-Y-LC-CB	20' Y-Shape, Loop Top, Carabiner Bottom (Adjustable Length)
CK-6FT-V	6' Chain Hanging Kit

## MOUNTING KITS

Accessory Model	Description
LHB-3P-PDM	LHB: Pendant mount bracket up to 320W
LHB-3P-SM	LHB: Surface mount bracket up to 320W

## WIRE GUARDS

Accessory Model	Description
LHB-3P-4FT-WG	Linear Highbay Wire Guard 4ft

## WHIPS (FIELD INSTALL)

Accessory Model	Description
6'-WHIP-1/2KO	6' Whip
10'-WHIP-1/2KO	10' Whip
20'-WHIP-1/2KO	20' Whip

## SENSORS

Accessory Model	Description
S-TWC-MW-1	Microwave Bi-Level Motion + Daylight Sensor (Remote Req'd)
S-TWC-PIR-1	PIR Bi-Level Motion + Daylight Sensor (Remote Req'd)
S-TWC-MW-BT	Bluetooth Microwave Bi-Level Motion + Daylight Sensor
S-TWC-PIR-BT	PIR Microwave Bi-Level Motion + Daylight Sensor

## SENSOR REMOTE

Accessory Model	Description
S-LINE-R	Remote for S-Line Sensor
ENVISION CONNECT	Bluetooth smart app. Download on Apple and Android.

## PLUG

Accessory Model	Description
SB	5-15P Straight Blade Plug
TL	L5-15P Twist Lock Plug