

MR-16 7W



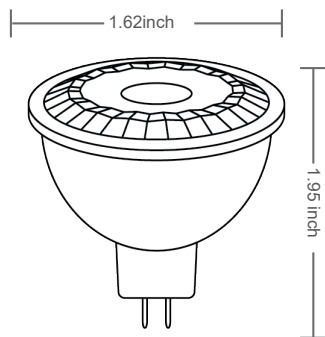
The EnVision LED MR-16 bulb in LED brings lighting to the next level. This MR-16 bulb is equipped with a COB chip that illuminates evenly. The bulb is wet location listed so it is perfect for landscape and bathroom use. The bulb is also equipped with a High CRI for a crisp and clear light output.

Applications:

- Track Lights
- Showcases
- Recessed Downlighting
- Restaurants, Bars, Pubs, Cafe Lighting

Product Information:

- WET location rated
- Ready to replace existing 50W halogen
- Same size as traditional MR-16
- Fully Dimmable: With magnetic and electronic transformers



Type	Model	Volt	Watt	Lumen	Color	CRI	Beam Spread
MR-16	LED-MR16-7W-27K-HD	12V AC/DC	7W	500	Soft- 3000k	>90	35°
MR-16	LED-MR16-7W-30K-HD	12V AC/DC	7W	500	Warm- 3000k	>90	35°
MR-16	LED-MR16-7W-40K-HD	12V AC/DC	7W	500	Cool- 3000k	>90	35°
MR-16	LED-MR16-7W-50K-HD	12V AC/DC	7W	500	Day- 3000k	>90	35°