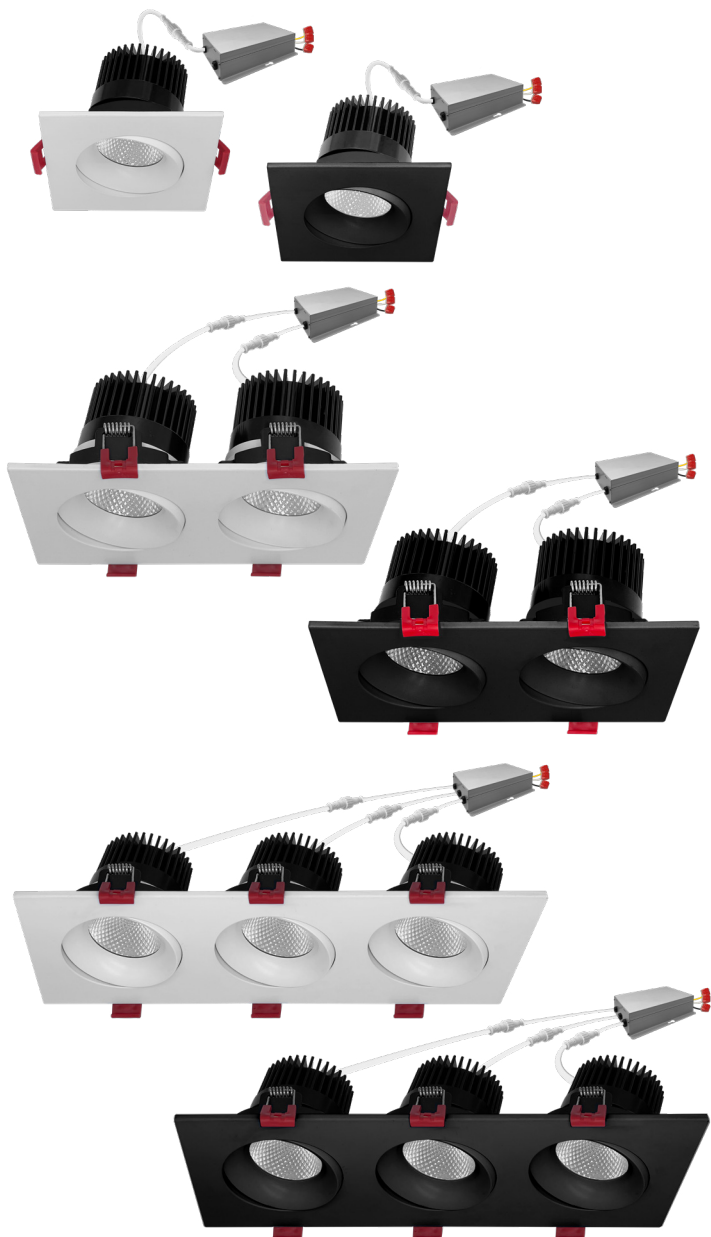


# 4" Multiple Head Downlights

## 5-CCT Selectable

Canless Downlights



### Detail Specification:

- Finish: White & Black
- Wet Location Rated
- Beam Angle: 38° Standard, 24° & 60° available
- Chip: COB, R9 >50, CRI >90
- 2 Step MacAdam Ellipses
- Operating Temperature: -40° - 114° F
- Lens: Clear, non-yellowing
- Average life (L70) of 50,000 hours

### Applications

- General Recessed Lighting
- Residential & Multifamily
- Office and Meeting Rooms
- Education, Healthcare, Retail, Hospitality

### Product Information:

- 5-CCT: 27/30/35/40/50K COB LED Chip
- Metal housing and trim for better heat dissipation
- 360° Rotation and 15° Tilt gimbal light source
- Standard white round trim included: optional trims available
- Optional emergency backup available: delivers full lumens in EM mode up to 25W
- SnapTrim Canless: Spring clips with remote j-box eliminates can

### Driver Options:

- 120V Triac Dimmable (Standard)
- 0/10V: 120-277V 0-10V Dimmable Custom Order
- Built in 2.5Kv Surge Protector
- Flicker Free

### Mounting & Installation:

- Cut Out Dimensions
  - Single Head: 3-3/4"
  - Double Head: 7-1/4" x 3-3/4"
  - Triple Head: 10-4/5" x 3-3/4"
- Optional new construction plate available
- This fixture does not fit into a recessed can
- No can needed in remodel applications, tension clips mount into 1/2" to 1.5" thick ceiling
- Can be removed from below the ceiling for service or replacement
- Pre-wired junction box with circuit wiring built in (3 in/ 3 out)

### Certifications:

- ETL Listed for USA and CA
- Energy Star Certified
- CA Title 24 JA8-2022 CEC Listed
- 5 Year Limited Warranty
- FCC CFR 47, GCC Part 15, Subpart B:2017
- IC Rated and ASTM-E283 Air-Tight
- Complies with UL 263, ASTM E119, CAN ULC S101

Series	Finish	Emergency	Beam Angle	Driver
<b>LED-SQM1-4-15W-5CCT</b> Single Head 15W • 1,000lm • 120V	<b>WH</b> White	<b>Blank</b> No Emergency	<b>Blank</b> 38°	<b>Blank</b> 120V Triac Dim
<b>LED-SQM2-4-30W-5CCT</b> Double Head 30W • 2,000lm • 120V	<b>BLK</b> Black	<b>EMB</b> Emergency	<b>24D</b> 24°	<b>0/10V<sup>1</sup></b> 120-277V 0-10V
<b>LED-SQM3-4-45W-5CCT</b> Triple Head 45W • 3,000lm • 120V		<b>Backup</b>	<b>60D</b> 60°	<b>Dimmable*</b>

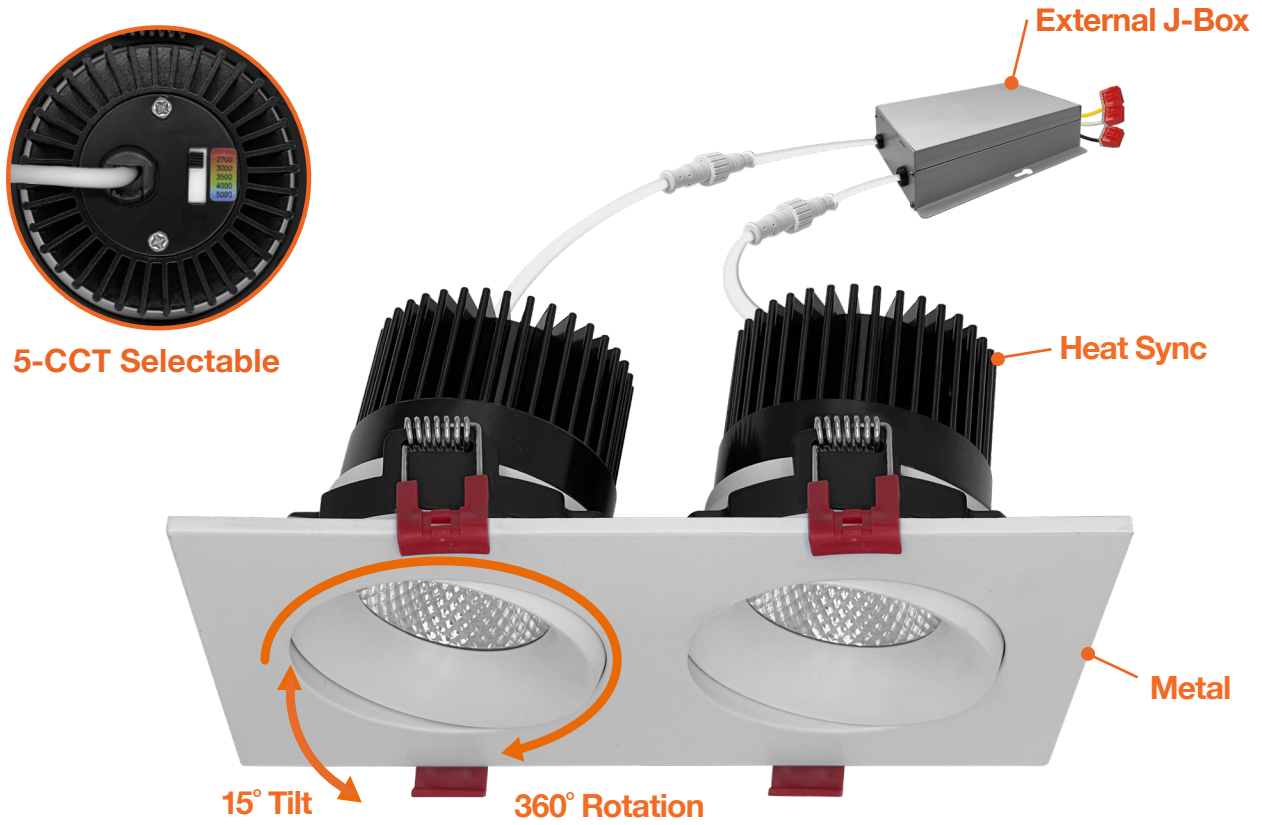
1. Custom order only

Optional Accessories (Order Separately)	
New Construction Plate	Emergency Backup <sup>1</sup>
<b>CUNV-SQM-NC-ICAT</b> Universal plate w/ hanging bars	<b>LED-EMB-25W-HV</b> <b>-0/10V-2P</b> Up to 24W fixtures

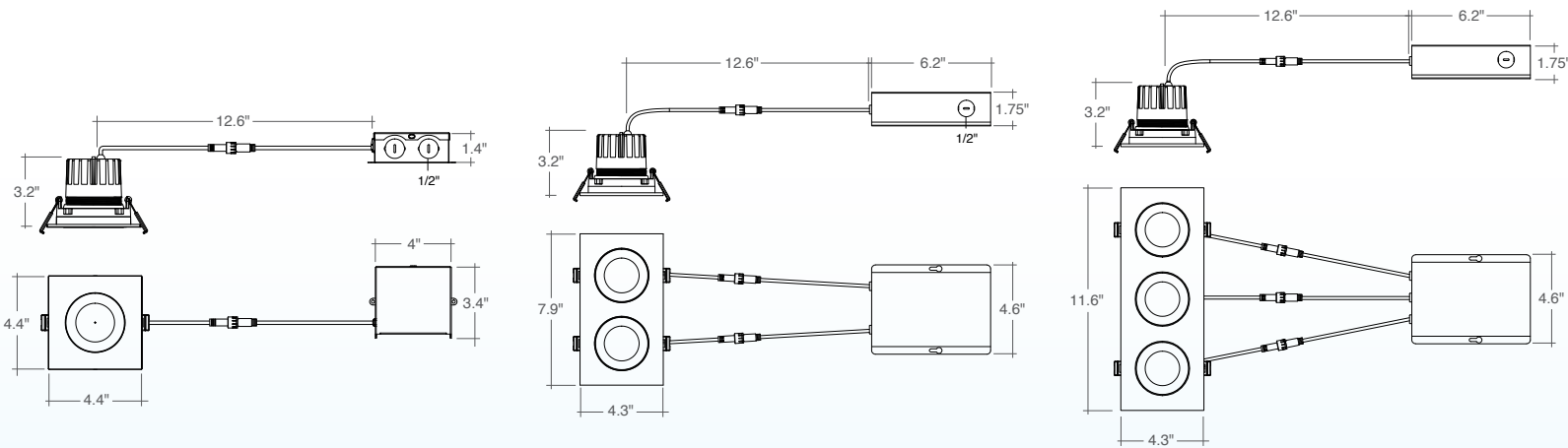
1. Field installable.  
Lasts 90 minutes.

Specs and model numbers are subject to change with or without notice.

**FEATURES**

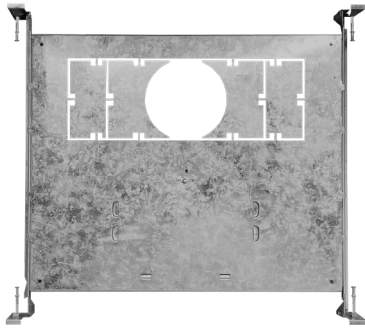


**DIMENSIONS**

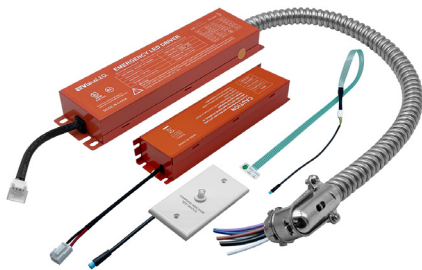


*Specs and model numbers are subject to change with or without notice.*

### ACCESSORIES



**CUNV-SQM-NC-ICAT**  
Universal Pre-Mounting Plate  
14 3/4" x 11 3/4"



**LED-EMB-25W-HV-0/10V-2P**

Model	Voltage	Watts	Lumens	Color	CRI
LED-SQM1-4-15W-5CCT-WH	120V	15w	1000	27/30/35/40/50K	>90
LED-SQM1-4-15W-5CCT-BLK	120V	15w	1000	27/30/35/40/50K	>90
LED-SQM2-4-30W-5CCT-WH	120V	30w	2000	27/30/35/40/50K	>90
LED-SQM2-4-30W-5CCT-BLK	120V	30w	2000	27/30/35/40/50K	>90
LED-SQM3-4-45W-5CCT-WH	120V	45w	3000	27/30/35/40/50K	>90
LED-SQM3-4-45W-5CCT-BLK	120V	45w	3000	27/30/35/40/50K	>90

### CONSTRUCTION PLATES

Accessory	Description
CUNV-SQM-NC-ICAT	New Construction Plate: SQM Fixtures

### BATTERY BACK-UP

Accessory	Description
LED-EMB-25W-HV-0/10V-2P	Up to 24W fixtures

### TESTED COMPATIBLE DIMMERS

Other dimmers may be compatible but have not been tested. Please contact us for more information.

#### TRIAC/ELV Dimmers

Lutron	Leviton	Legrand	Cooper
AYCL-153P	6633	ADTP703TU	9540
DV-600PR	6674	H703PTW	DAL06P
DVCL-153P	6602		
MACL-153MH	IPL06		
MRF2-6CL			
D-600P			
NTELV-300P			
S-600P			
CT-600P			
CTCL-153P			
TG-600P			
TCCL-153P			

#### 0-10V Dimmers

Lutron	Leviton	Wattstopper	Lightolier
DVTV	Illumitech - IP7	DCLV1	ZP600FAM120
NFTV			SR1200ZTUNV
NFTV			

Specs and model numbers are subject to change with or without notice.