

Project: _____
 Part#: _____
 Type: _____

LED Corn Bulbs

3 Power + 3 CCT Selectable: 30/40/50K



The EnVision corn light allows the end user to light an area in a full 360° spectrum. The lamp includes an internal driver with a 4kV surge protector, and has a universal input voltage of 120-277v. The light turns on instantly, and is not affected by frequent on/off switching. With 3 different color temperatures and 3 wattages to swap from, it's like having nine SKU's all in one!

Applications:

- Residential/Commercial Lighting
- Outdoor/Garden Lighting
- Warehouse/Garage Lighting

Product Information:

- Switch between 30/40/50K color temps
- Also switch between 3 different wattage types
- Includes 4kV surge protection
- 120-277V with ballast bypass

Additional Information

- Operating Temperature: -40°C/-40°F ~ 60°C/140°F
- Integral driver eliminates the need for external ballast
- Suitable for use in fully enclosed fixture
- Environmental friendly; No mercury used



1	Product	2	3-Power Selectable	3	Color	3	Base Type	4	Accessories	5	Warranty
LED-CRN	Corn Lights	3M36	(150 Lumen/W) 36/27/18W - 5,600lm (36W) 4,050lm (27W), 2,700lm (18W)	TRI	3CCT Selectable 30/40/50K	E26* EX39	E26* EX39	(Blank) BMDSL*	None *Daylight + Motion Sensor	(Blank) 10YR	5 Year (incl.) 10 Year
		3M54	54/45/36W - 8,100lm (54W) 6,750lm (45W), 5,600lm (36W)								
		3M80	80/63/54W - 12,000lm (80W) 9,450lm (63W), 8,100lm (54W)								
		3M120	120/100/80W - 18,000lm (120W) 15,000lm (100W), 12,000lm (80W)								

*E26 Only Available for 3M36 and 3M54 bulbs *BMDSL Only Available for 3M80 and 3M120 bulbs

Specs and model numbers are subject to change with or without notice

FEATURES

360° Beam Spread



3CCT Selectable

3-Watt and CCT Selectable

Switch between different color temps and wattages, making this light six different fixtures in one!

High Quality LED Chips

We use high quality LED chips for longevity, consistent color and reliability.



3 Power Selectable



Grade A Heat Sync

Eliminates the need for a fan with a build in grade A heat sync.

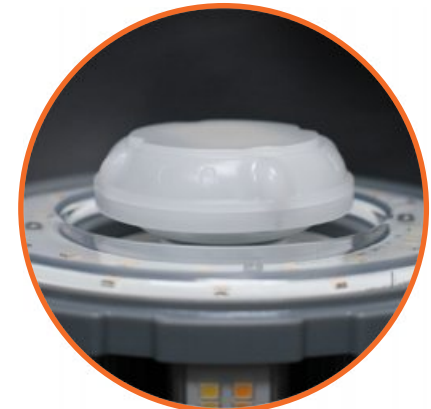
Optional Motion + Daylight Sensor

(Only available for 3M80 and 3M120 bulbs)

E26 / EX39 Base

Multiple Applications

Use this fixture with retrofit applications, such as shoebox and street fixtures, post top fixtures, high bay fixtures, and even barn and yard lights.



WIRING DIAGRAM

1. Disconnect power and remove existing ballast, capacitor, and/or ignitor (where applicable) from fixture. **(See Image 1)**

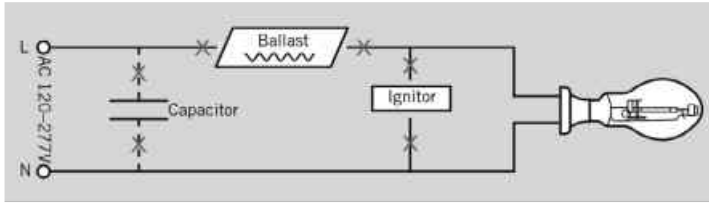


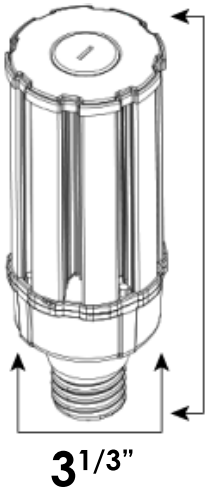
Image 1



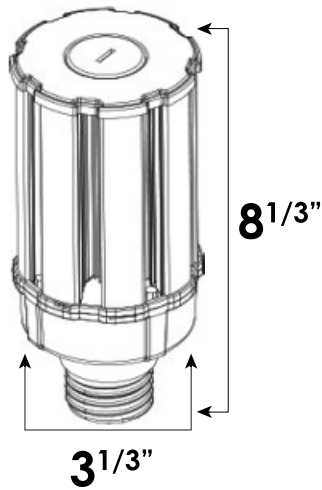
Image 2

2. Rewire for line voltage to the lamp socket. **(See Image 2)**
 3. Install new LED replacement lamp. Ensure lamp is operating properly when power is on.

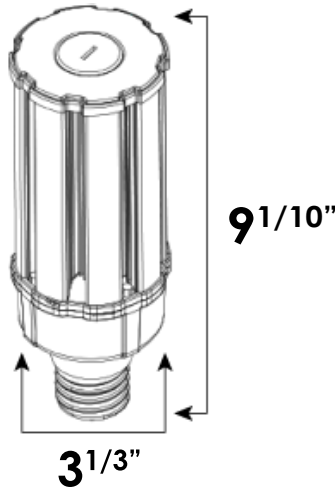
DIMENSIONS



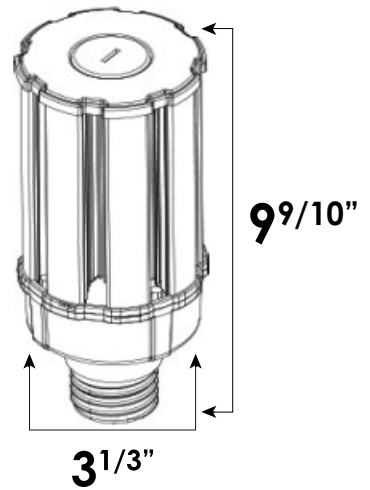
3M36 - E26



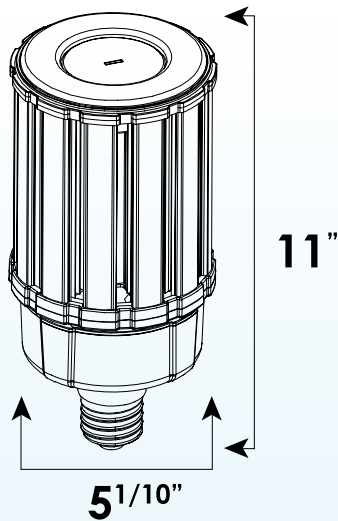
3M36 - EX39



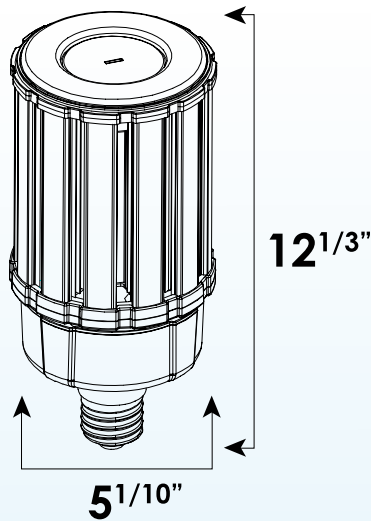
3M54 - E26



3M54 - EX39



3M80 - EX39



3M120 - EX39

MOTION + DAYLIGHT SENSOR SPECS



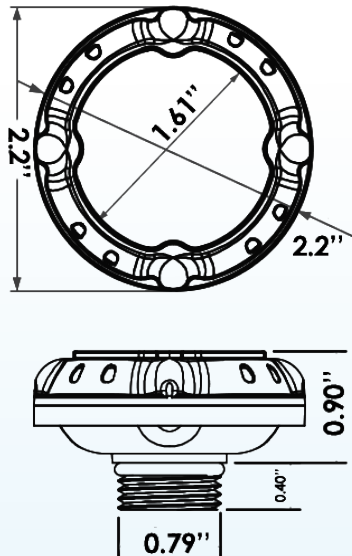
Motion + Daylight Sensor Controller



Motion and Daylight Sensor

Technical Data	
Operating Voltage	12±2VDC
Operating Current	30mA
Output	DIM 0-10V
Stand-by Power	<0.5W
Brightness	70%/80%/90%/100%
Sensitivity	20%/50%/75%/100%
Hold Time	10s/1min/10min/30min
Daylight Threshold	10Lux/30Lux/50Lux/100Lux/Disable
Stand-by Time	1min/30min/60min/+∞
Stand-by Dimming Level	10%/20%/30%/50%
Microwave Frequency	5.8GHz±75MHz
Microwave Power	<0.5mW
Detection Angle	30-150°
Control Line	Pink: +12V; Purple: DIM+; Gray: GND/DIM-
Mounting Height	Max.15m (ceiling mounted)
Detection Angle	Max.Ø15m (ceiling mounted) Max.20m (wall mounted)
Operating Temperature	-25°C (-25°F) ~+ 60°C (140°F)
IP Rating	IP65

DIMENSIONS



WIRING DIAGRAM

