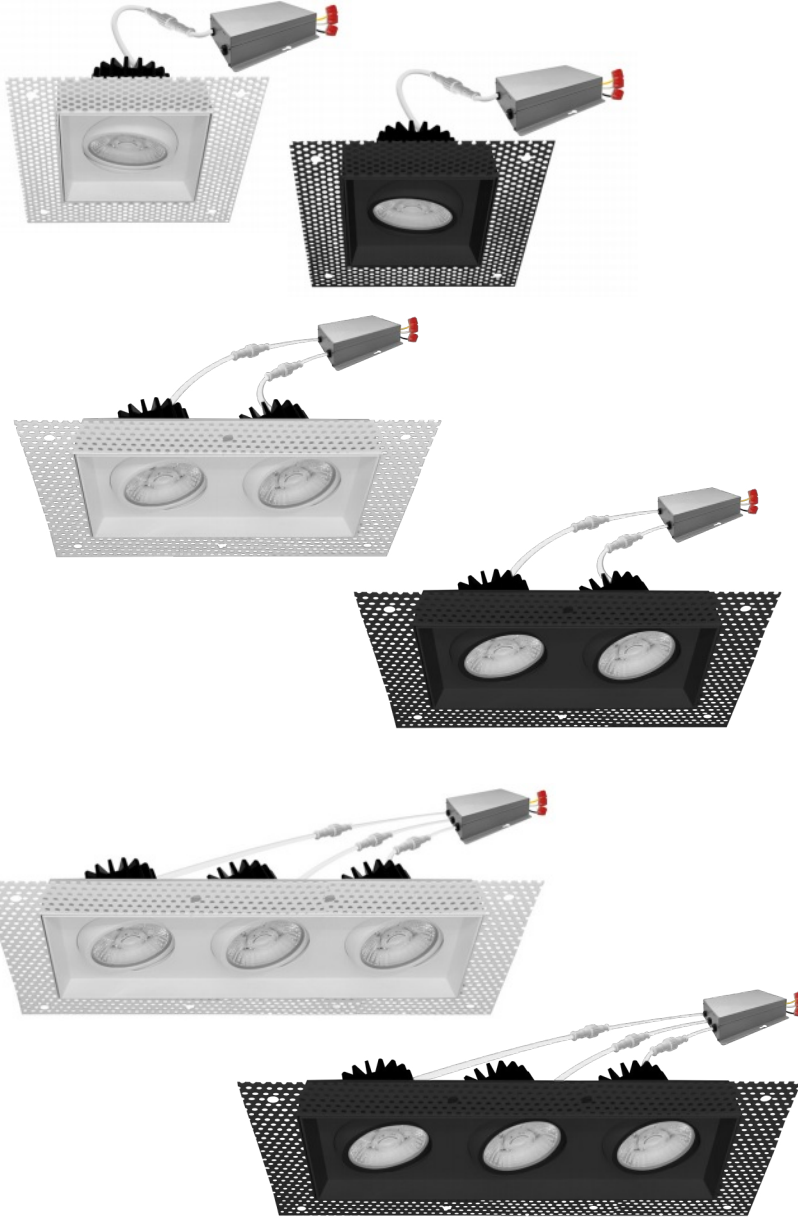


4" Trimless Multiple Head Downlights

5-CCT Selectable



Detail Specification:

- Finish: White & Black
- Wet Location Rated
- Beam Angle: 20° Standard, 38° & 60° available
- Chip: COB, R9 >50, CRI >90
- 3 Step MacAdam Ellipses
- Operating Temperature: -40° - 114° F
- Lens: Clear, non-yellowing
- Average life (L70) of 50,000 hours

Applications

- General Recessed Lighting
- Residential & Multifamily
- Office and Meeting Rooms
- Education, Healthcare, Retail, Hospitality

Product Information:

- 5-CCT: 27/30/35/40/50K COB LED Chip
- Available in single, double, or triple head
- Metal housing and trim for better heat dissipation
- 360° Rotation and 15° from center
- Standard white round trim included: optional trims available
- Optional emergency backup available: delivers full lumens in EM mode up to 25W
- SnapTrim Canless: Spring clips w/ remote j-box eliminates can

Driver Options:

- 120V Triac Dimmable (Standard)
- 0/10V: 120-277V 0-10V Dimmable Custom Order
- Built in 2.5Kv Surge Protector
- Flicker Free

Mounting & Installations:

- Cut Out Dimensions
 - Single Head: 4 1/8" x 4 1/8"
 - Double Head: 7 1/4" x 3 3/4"
 - Triple Head: 11 5/8" x 4 1/8"
- Optional new construction plate available
- This fixture does not fit into a recessed can
- Can be removed from below the ceiling for service or replacement while mud-in plate remains in the ceiling
- Pre-wired junction box with circuit wiring built in (3 in/ 3 out)

Certifications:

- ETL Listed for USA and CA
- Energy Star Certified
- CA Title 24 JA8-2022 CEC Listed
- 5 Year Limited Warranty
- FCC CFR 47, GCC Part 15, Subpart B:2017
- IC Rated and ASTM-E283 Air-Tight

Series	Finish	Beam Angle	Emergency	Driver
LED-SQM1-TML-4-15W-5CCT 15W • 1000Lm	WH White	20 20°	EMB Emergency	(Blank) 120V Triac
LED-SQM2-TML-4-30W-5CCT 30W • 2000Lm	BLK Black	38¹ 38°	Backup	Dim 120-277V
LED-SQM3-TML-4-45W-5CCT 45W • 3000Lm		60¹ 60°		0/10V² 0-10V Dimmable

1. 20DG Standard Quick ship. Other beam angles require production, 5-7 day lead time. 2. Custom order only

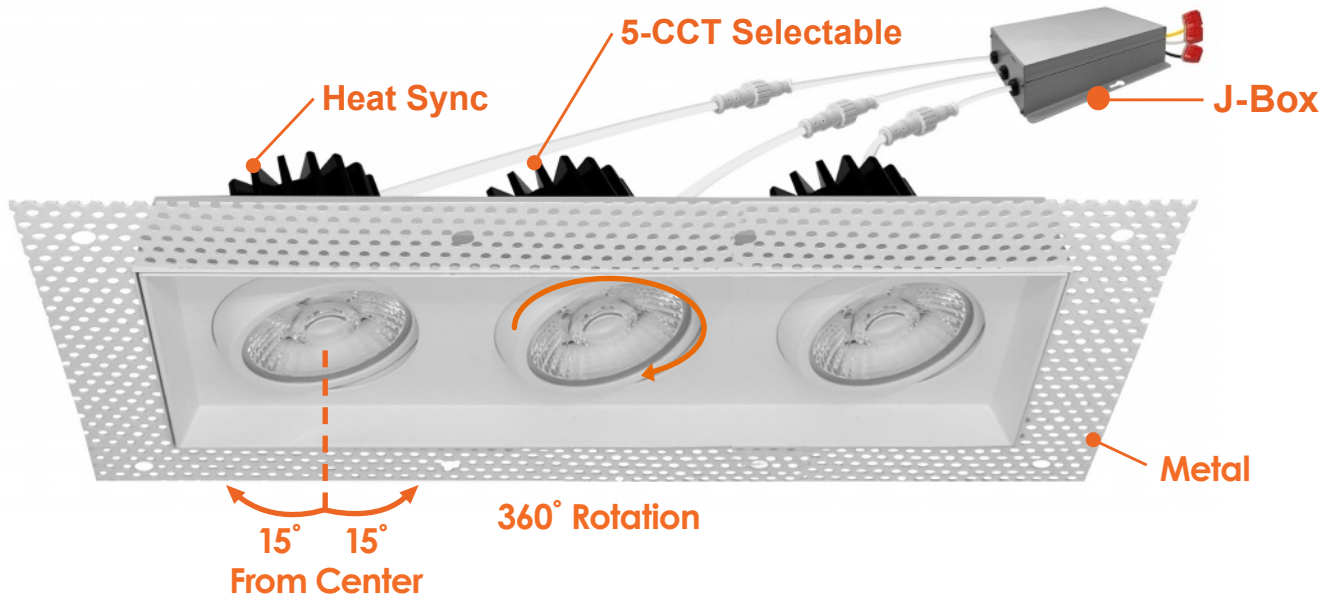
Optional Accessories (Order Separately)

Emergency Backup¹
LED-EMB-25W
-HV-0/10V-2P
Connects to one module

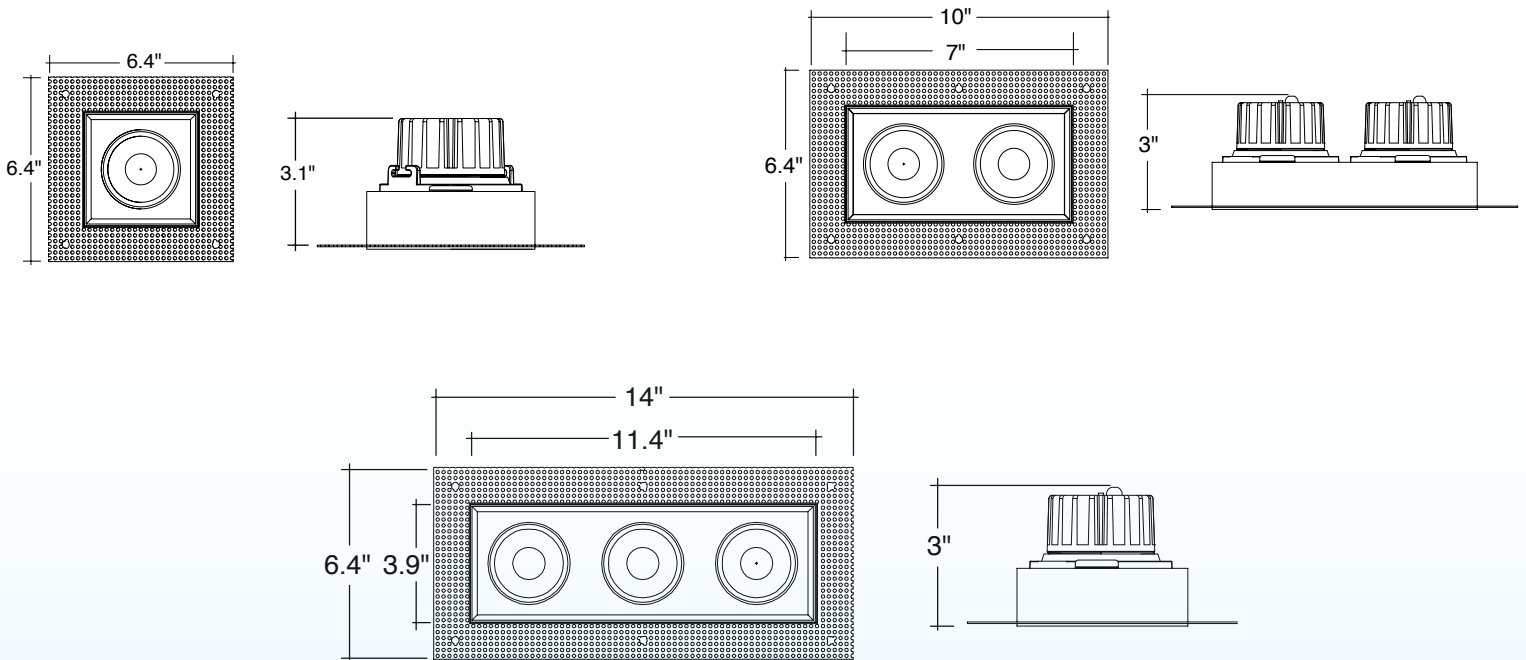
1. Field installable. Lasts 90 minutes.

Specs and model numbers are subject to change with or without notice.

FEATURES



DIMENSIONS



ACCESSORIES

Model	Voltage	Watts	Lumens	Color	CRI
LED-SQM1-TML-4-15W-5CCT-WH	120/277V	15w	1000	50/40/35/30/27K	>90
LED-SQM1-TML-4-15W-5CCT-BLK	120/277V	15w	1000	50/40/35/30/27K	>90
LED-SQM2-TML-4-30W-5CCT-WH	120/277V	30w	2000	50/40/35/30/27K	>90
LED-SQM2-TML-4-30W-5CCT-BLK	120/277V	30w	2000	50/40/35/30/27K	>90
LED-SQM3-TML-4-45W-5CCT-WH	120/277V	45w	3000	50/40/35/30/27K	>90
LED-SQM3-TML-4-45W-5CCT-BLK	120/277V	45w	3000	50/40/35/30/27K	>90



20 / 38 / 60

TRACK HEAD

Accessory	Description
20	Track Head: 20D Optic
38	Track Head: 38D Optic
60	Track Head: 60D Optic



JBX-EXT
6' / 10' / 12' Extension Cable

EXTENSION CABLE

Accessory	Description
JBX-EXT-6'-2PIN	6" Extension Cable
JBX-EXT-10'-2PIN	10" Extension Cable
JBX-EXT-12'-2PIN	12" Extension Cable



LED-EMB-25W-HV-0/10V-2P

BATTERY BACK-UP

Accessory	Description
LED-EMB-25W-HV-0/10V-2P	Up to 24W fixtures

TESTED COMPATIBLE DIMMERS

Other dimmers may be compatible but have not been tested. Please contact us for more information.

TRIAC/ELV Dimmers

Lutron	Leviton	Legrand	Cooper
AYCL-153P	NTELV-300P	6633	ADTP703TU
DV-600PR	S-600P	6674	H703PTW
DVCL-153P	CT-600P	6602	DAL06P
MACL-153MH	CTCL-153P	IPL06	
MRF2-6CL	TG-600P		
D-600P	TCCL-153P		