



## WALL PACK FULL CUTOFF ADJUSTABLE SLIM LIGHTING FIXTURE

Light up your outdoor area with The EnVision Bolt Series, a line of Area Light fixtures with high lumen per watt efficacy (minimum 115lm/w). The Bolt Wall Packs are available in a variety of different styles: non-cutoff, fully cut-off, semi cut-off, adjustable, and a rotatable up/down light. EnVision's cut off mini fixture is an architectural LED luminaire that allows end users to adjust the angle to light up a desired area. The fixtures is slim and low profile while providing a high lumen output.

### Applications:

- General outdoor lighting
- Commercial buildings
- Pathways, sidewalks, streets, etc.

### Detailed Specification

- Average life (L70) of 70,000 hours with the integration of Philips Lumileds 3030 chips
- 60° beam angle that can be adjusted
- Operating temperature -4 -- + 113 F°
- PF >0.9 / Input: .85A/ Output: 36-66V DC

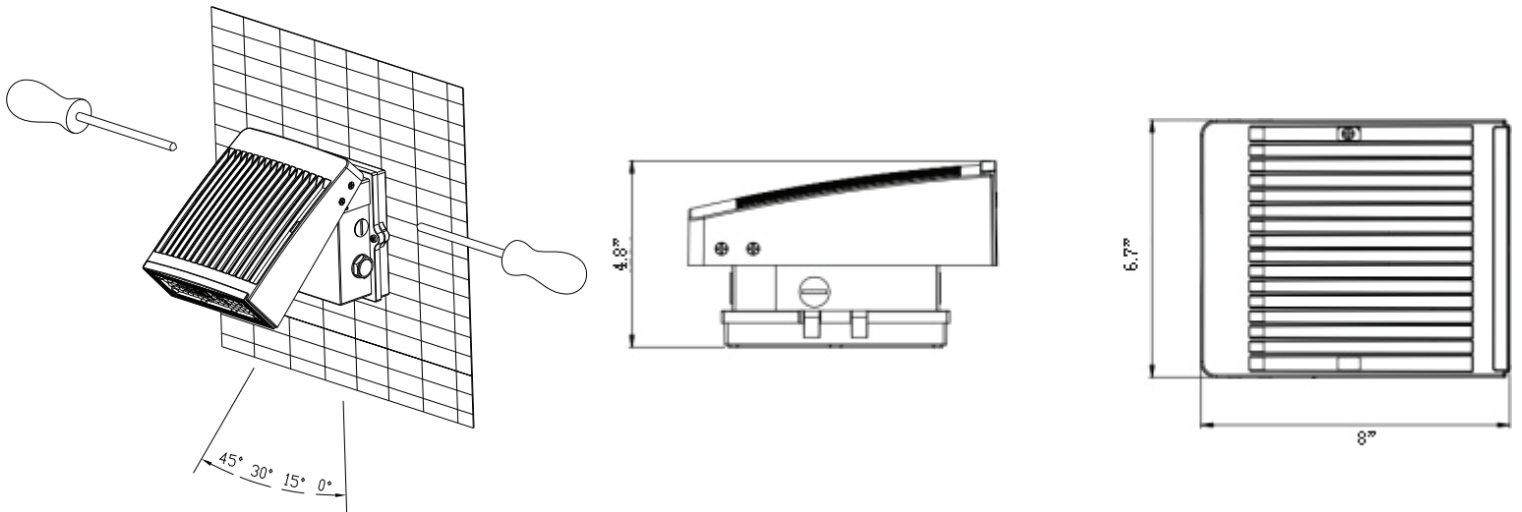
### Product Information:

- Sturdy die-cast aluminum housing finished with a bronze corrosion free powder coat
- Suitable for wet location, professionally waterproofed IP67
- Type I optics standard/ Type III & IV by request
- Five knock-outs on the fixture for easy installation
- Adjust the angle of your fixture by simply moving it up or down from 0° to 45°
- 7 Year Limited Warranty

Type	Model	Watt	Lumen	Color	Volt	CRI
Adjustable WP	LED-WPFC-ADJ-55W-50K-BZ	55W	6,150	5000K	100-277V	>80

## WALL PACK FULL CUT ADJUSTABLE

### DIMENSIONS FOR 55W



### FEATURES

#### Reliable LED Chips

Philips 3030 LED chips for longevity, consistent color, and reliability

#### Knockouts

Knockouts located on all sides of the fixture for convenient installation

#### High Quality Lens

PMMA Lens to ensure no cracking, yellowing, or lumen deficiency

#### Philip Screws

Easily open the access to the mounting bracket

#### Waterproofing

All ARL Bolt fixtures are equipped with the finest waterproof materials

#### Easy Access

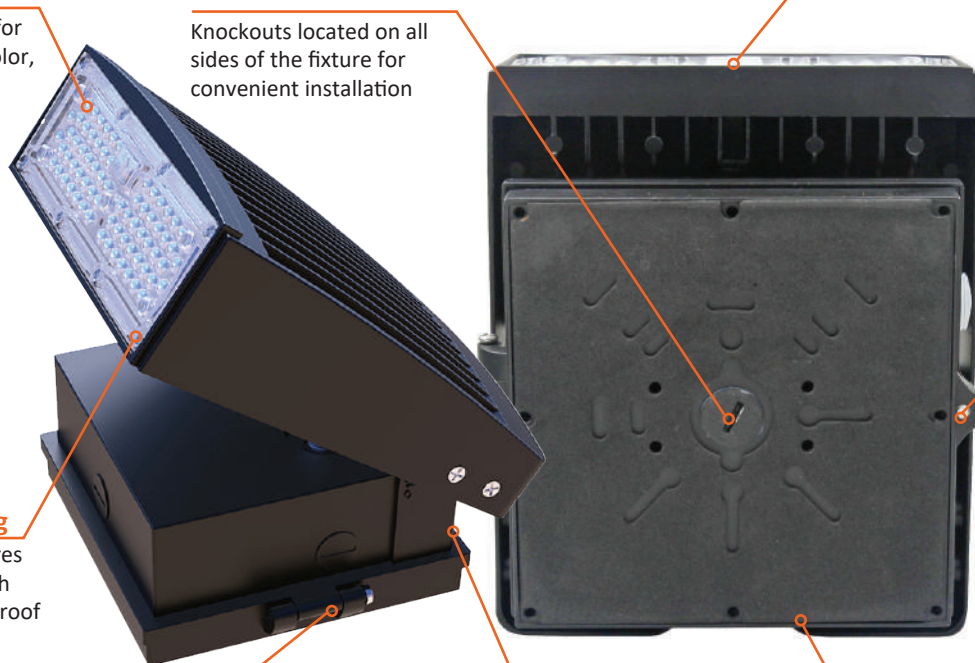
Twisting hinges make it easy to access driver and installation plate

#### Adjustable Angle

Move the angle up or down and tighten the screws at desired beam angle

#### Heat Dissipation

Made out of thick aluminum di-cast to withstand harsh conditions and dissipate heat



**55W PHOTOMETRICS (TYPE I)**

