



SL-Line: Wall Pack

3-CCT + 5-Power Selectable



| WATT | LUMENS |
|------|--------|
| 30 | 3,900 |
| 40 | 5,200 |
| 60 | 7,800 |
| 80 | 10,400 |
| 100 | 13,000 |
| 120 | 15,600 |

Detail Specifications:

- Finish: Bronze, Custom finishes available
- IP Rating: Wet Location
- Impact Rating: IK08
- Beam Angle: Type IV
- BUG:
 - 3P60W: B3-U3-G5
 - 3P120: B4-U4-G5
- Chip: SMD 2835, R9 >50, CRI >80
- Operating Temperature: -4° - 122° F
- Lens: Glass Lens
- Average life (L70) of 70,000 hours

Applications:

- Walkways & Pathways
- Parking Lots
- Hospitality, Multi-Family
- Outdoor Corridors
- Residential, Commercial and Industrial

Product Information:

- Sturdy die-cast aluminum housing finished with corrosion free powder coat
- Slim in size and easy to install
- Photocell is included with an easy quick disconnect
- Instant-On to full brightness

Driver Options:

- UNV: 120-277V 0-10V Dimmable
- HV: 277-480V 0-10V Dimmable
- Built in 6Kv Surge Protector
- THD: <20% (+/-5% tolerance), PF >0.9, 50/60Hz

Mounting & Installation:

- Five 1/2" knockouts: 1 one each side for convenient installation

Certifications:

- UL Listed for USA and CA
- DLC Listed
- ROHS Compliant
- Approved for CA T24
- 5 Year Limited Warranty
- FCC CFR 47, GCC Part 15, Subpart B:2017

| Series | Finish ¹ | Photocell | Voltage | Sensor ² | Emergency | Surge Protector | Optional Accessories (Order Separately) |
|--|---|---|------------------------|--|--------------------------------|-------------------------------------|--|
| LED-WPF-SL-3P60-TRI 30/40/60W • 30/40/50K | BZ Bronze (Standard) | PC Photocell is included. Easy quick disconnect. | UNV 120-277V | (blank) No Sensor | (blank) No Emergency | (blank) 6KV Built in | Remote for Sensors Shield |
| LED-WPF-SL-3P120-TRI 80/100/120W • 30/40/50K | BL ¹ Black WH ¹ White GRY ¹ Gray CS ¹ Custom Color | PC Easy quick disconnect. (PC-3/4-3PIN-LV) | HV 277-480V | BMS Bi-Level Motion + Daylight Sensor (HB01DMS-C) BMS1 Bi-Level Motion + Daylight Sensor (S-BMS-EXT-1) BMS1BT Bi-Level Motion + Daylight Sensor -Bluetooth Control-(S-BMS-EXT-1-BT) | EMB Emergency Backup | 20KV 20KV Surge Protector | HB03R HB01DMS Remote S-LINE-R S-Line Remote |

1. Standard quickship is bronze. Other colors are custom finishes

2. Sensors require remote for programming

Specs and model numbers are subject to change with or without notice.

FEATURES

Waterproof Gasket

1/2" Knockout



1/2" Knockout

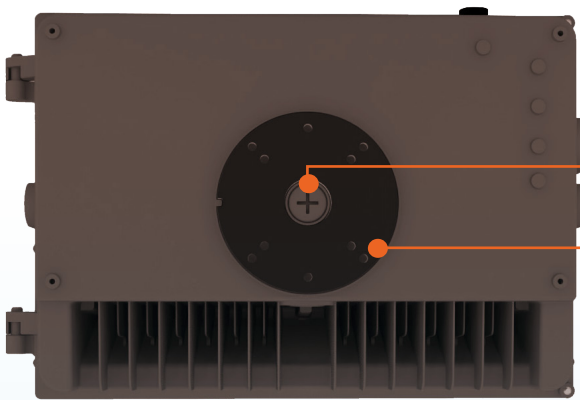


TOP



BOTTOM

1/2" Knockout



1/2" Knockout

Gasket

BACK

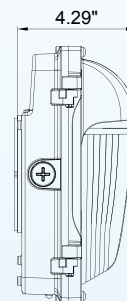
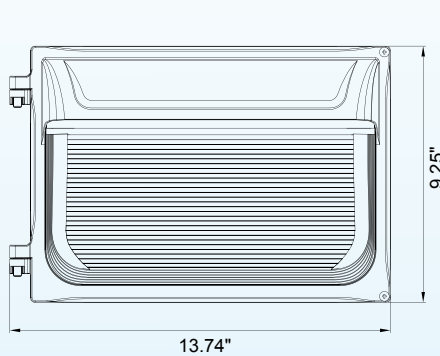


SIDE



3-CCT Selectable
 +
 3 Power Selectable

DIMENSIONS



SL-Line: Wall Pack

3-CCT + 5-Power Selectable



HB03R



S-LINE-R



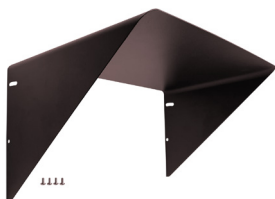
PC-BTN-UNV-1/2"



HB01DMS-C



S-BMS-EXT-1
S-BMS-EXT-1-BT



WPF-SL-SHIELD

WALL PACK

| Model | Voltage | Watts | Lumens | Color | CRI |
|--------------------------------|----------|-------------|----------------------|-----------|-----|
| LED-WPF-SL-3P60-TRI-BZ-UNV-PC | 120-277V | 60/40/30w | 3,900/5,200/ 7,800 | 30/40/50k | >80 |
| LED-WPF-SL-3P120-TRI-BZ-UNV-PC | 120-277V | 120/100/80w | 10,400/13,000/15,600 | 30/40/50k | >80 |
| LED-WPF-SL-3P60-TRI-BZ-HV-PC | 277-480V | 60/40/30w | 3,900/5,200/ 7,800 | 30/40/50k | >80 |
| LED-WPF-SL-3P120-TRI-BZ-HV-PC | 277-480V | 120/100/80w | 10,400/13,000/15,600 | 30/40/50k | >80 |

REMOTE CONTROL

| Accessory Model | Description |
|-----------------|----------------------------------|
| HB03R | Remote for HB-Line Series |
| S-LINE-R | Remote for S-LINE Series Sensors |

PHOTOCELL

| Accessory Model | Description |
|-----------------|--|
| PC-BTN-UNV-1/2" | Button Photocell Universal for 1/2" Knockout |

HB-LINE-SENSORS

| Model | Item Description | Voltage | Watts |
|----------------|--|---------|-------|
| HB01DMS-C | Bi Level Motion Sensor w/ Daylight Harvesting 1/2" Knockout - Includes Auxillary | 12V | <1w |
| S-BMS-EXT-1 | S-Line: Bi Level Motion Sensor w/ Daylight Harvesting, Ideal for use with LED WALLPACKS. 12V Aux REQD. (Remote Required) | 12V | <1w |
| S-BMS-EXT-1-BT | S-Line: Bi Level Motion Sensor w/ Daylight Harvesting, Ideal for use with Wallpacks. 12V Aux REQD. (Remote Required) | 12V | <1w |

SHIELD

| Accessory Model | Description |
|-----------------|-----------------|
| WPF-SL-SHIELD | Cout off shield |