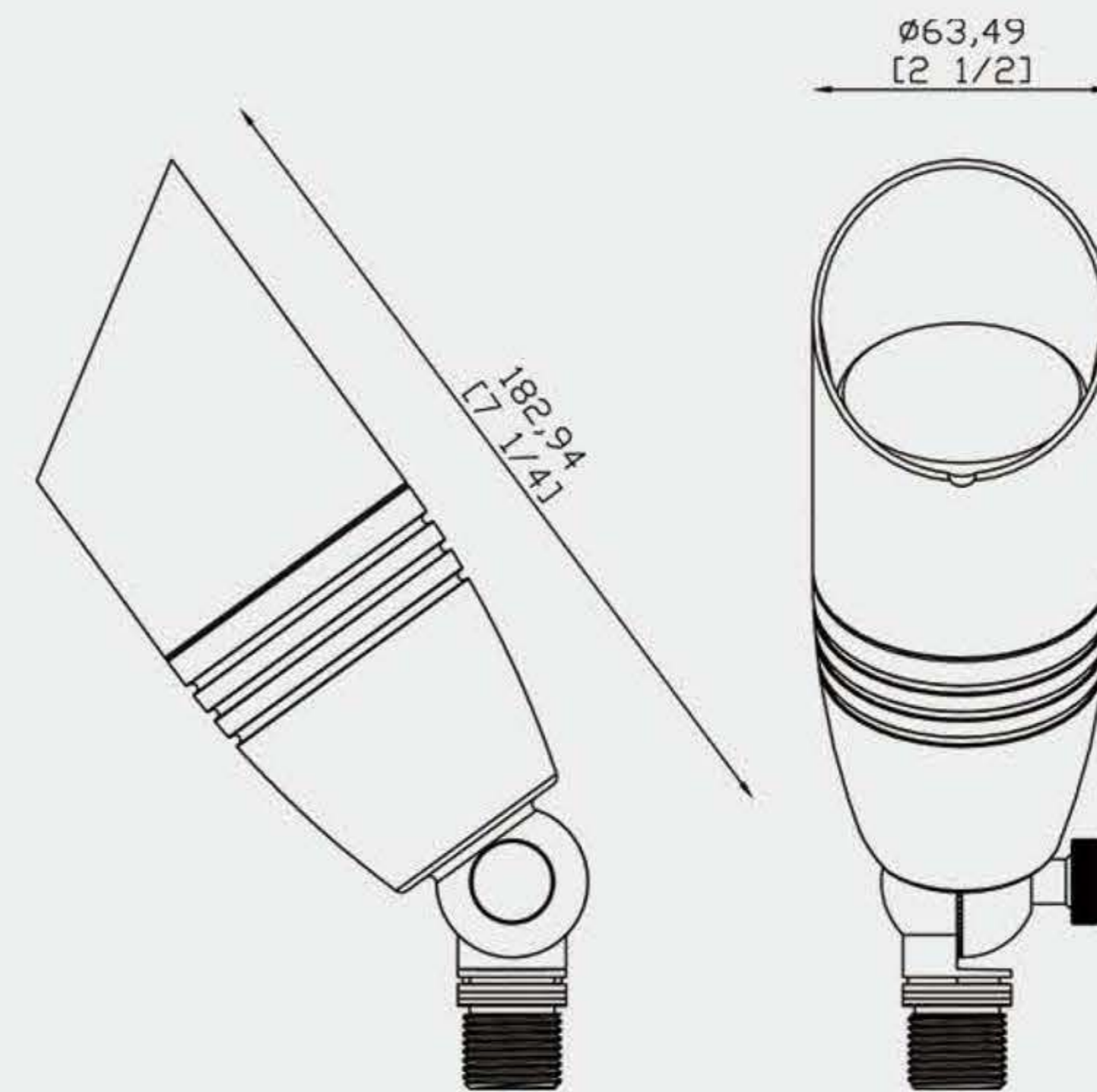


**JT-LV-215-AL-BK**

Materials

Die-cast aluminum

Body

Precision machined from solid aluminum casting,
Enclosed and water resistant wireway.

Shroud

Precision machined and comes with a factory sealed
socket resistant glass lens to prevent water intrusion.
Accepts up to one additional lens/hex cell accessory.

Knuckle

Machined brass knuckle with a solid brass adjustable
thumb screw. Vertical tilt 270° and horizontal rotation
of 360° for easy aiming

Lens

Clear convex glass

Gasket

High-temperature silicone o-ring for a
water-tight seal.

Lamp

For use with a halogen lamp up to 50W MR16
Lamp.

Warranty

3-Year warranty