



Product Name:

LSL-3"570WH

Product Specification

Dimmable: Yes

Power: 9W

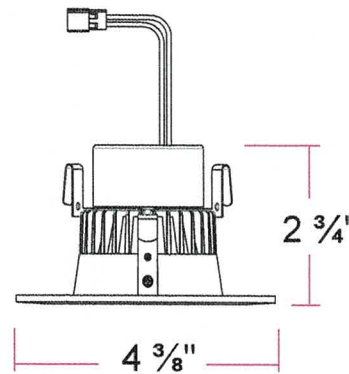
CRI: >90

Voltage/ Frequency: 120V AC/60Hz

CCT: 2700 / 3000 / 4000 / 5000K



DIMENSIONS



Features

- White painted Diecast body is appropriate for heat dissipation.
- Oversized trim ring constructed from one-piece diecast.
- 3 Tension clips pre-installed on unit for easy installation.

Product code	COLOR	COLOR TEMPERATURE	VOLTAGE	Wattage	Lumen	Luminous Efficiency
LSL-3"570WH / 27K	WHITE	2700K	120V	9W	620lm	69lm/w
LSL-3"570WH / 3K	WHITE	3000K	120V	9W	680lm	76lm/w
LSL-3"570WH / 4K	WHITE	4000K	120V	9W	730lm	81lm/w
LSL-3"570WH / 5K	WHITE	5000K	120V	9W	730lm	81lm/w