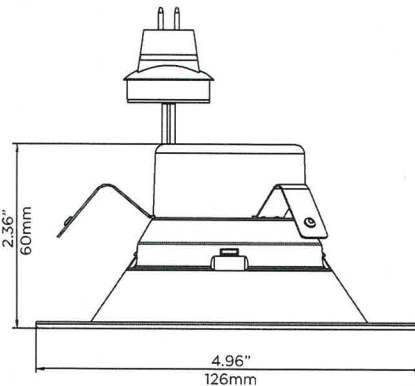
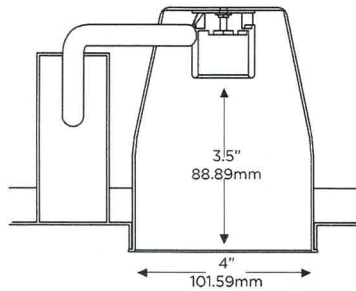


Product Name:

- LS2-ZS-4"12V/27K
- LS2-ZS-4"12V/3K
- LS2-ZS-4"12V/4K
- LS2-ZS-4"12V/5K

Product Specification

Light source: SEOUL
 LED Quantity: 15
 Voltage/ Frequency: 12V AC/DC/60Hz
 Power: 8.5W
 Lumens: 620lm
 CCT: 2700K
 PF: ≥0.9
 CRI: >90
 Lifetime: 35000 hours
 Beam Angle: 110°
 Dimmable: Yes
 Cut Size: D4.96" * H2.36"



Features

Suitable for type IC or NON-IC luminaires.
 Suitable for damp locations.
 Use only on 12V AC/DC 60Hz circuits.
 The device is for use with most type of 4" recessed fixtures.
 This device is not intended for use with emergency exits.

Product code	COLOR	COLOR TEMPERATURE	VOLTAGE	Wattage	Lumen	Luminous Efficiency	Beam Angle
LS2-ZS-4"12V/27K	WHITE	2700K	12V	8.5W	620lm	75lm/w	110°
LS2-ZS-4"12V/3K	WHITE	3000K	12V	8.5W	620lm	75lm/w	110°
LS2-ZS-4"12V/4K	WHITE	4000K	12V	8.5W	650lm	75lm/w	110°
LS2-ZS-4"12V/5K	WHITE	5000K	12V	8.5W	680lm	75lm/w	110°

	BOX SIZE	Unit Weight	Units per case	Package dimensions	Shipping Weight
LS2-ZS-4"12V/27K	130*130*68 MM	0.19 KG	20 PCS/Carton	365*278*285 MM	4.455 KG
LS2-ZS-4"12V/3K	130*130*68 MM	0.19 KG	20 PCS/Carton	365*278*285 MM	4.455 KG
LS2-ZS-4"12V/4K	130*130*68 MM	0.19 KG	20 PCS/Carton	365*278*285 MM	4.455 KG
LS2-ZS-4"12V/5K	130*130*68 MM	0.19 KG	20 PCS/Carton	365*278*285 MM	4.455 KG