

Project: _____

Fixture Type: _____

Location: _____

Contact/Phone: _____

The LSL-4"488EN is 4 inch LED Retrofit kit with Retractable Elbow. It is compatible with most of LS26 4 inch standard recessed new construction and remodel housings. The retrofit kit comes with a E26 medium screw-base Edison adaptor for easy installation into standard incandescent sockets.

DESCRIPTION

- Diecast aluminum heatsink dissipates heat from the LED board.
- Body finished color White
- Can be 358° rotate and 80° tilt.
- 3 Tension clips pre-installed on unit for easy installation.
- E26 medium screw-base Edison adaptor provides easy installation into Incandescent housings.

LED LIGHT ENGINE

- Protected LED driver performs at 120V.
- Dimming down to 10% with most dimmers.
- CCT 2700K, 3000K, 4000K, 5000K available
- CRI ≥80 or ≥90
- Long life LED chips guaranteed up to 50,000 hours.

WARRANTY

Guaranteed 2 years from the purchase date of the product, against mechanical defects in manufacturing.

LISTINGS

- cULus classified
- Energy star qualified
- Damp locations
- RoHS compliances
- Tested in accordance with IESNA LM79 & LM80

PERFORMANCE DATA

Input Voltage	120V
Input Power	9W
Frequency	50 / 60Hz
C R I	90
T Ambient	-30 °C ~40 °C (-22 °F ~104 °F)
C C T	3000 K
Lumens	600 lm

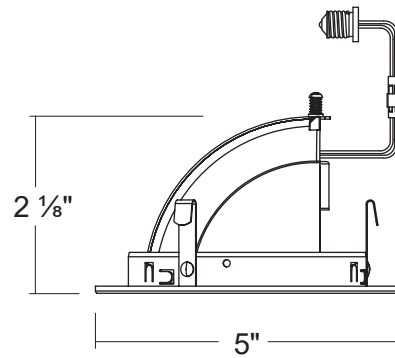
(all values at 25°C without a dimming control in circuit)

LSL-4"488EN

4" LED Retractable Elbow Retrofit Kit



DIMENSIONS



PRODUCT CODES

Model NO.	Description
LSL-4"488-EN27K	4" LED Retrofit / Retractable Elbow / 2700K
LSL-4"488-EN30K	4" LED Retrofit / Retractable Elbow / 3000K
LSL-4"488-EN40K	4" LED Retrofit / Retractable Elbow / 4000K
LSL-4"488-EN50K	4" LED Retrofit / Retractable Elbow / 5000K

120V Dimmer List		
Mfr	Model #	Dimming Rate
COOPER	DLC03P	10 - 100%
Leviton	1A1505 / 1C1605	10 - 100%
Leviton	6631 / 6633	10 - 100%
Lutron	CT-603PG / CT-600PR	10 - 100%
Lutron	DV-600PR / DV603PG	10 - 100%
Lutron	DVW-603PGH / DVCL-153P	10 - 100%
Lutron	MACL-153M / TGCL-153P	10 - 100%
Lutron	S-600PR / S-2-LH	10 - 100%