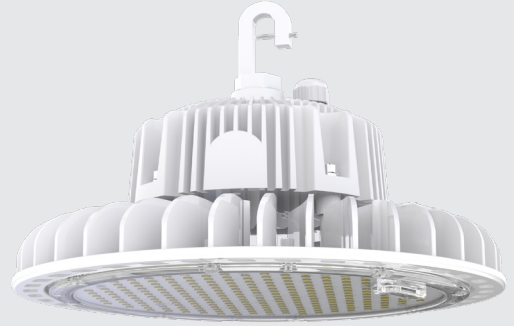


Project Name:	Notes:	Date:	Type:
---------------	--------	-------	-------

DESCRIPTION

The HBH features a more compact body than its counterparts, yet boasts some of the highest lumens per watt on the market. Available with acrylic polycarbonate reflector, with or without bottom reflector cover.

Ideal for restaurants and salons, as well as gymnasiums, warehouses, retail spaces, and convention centers.



CONSTRUCTION

Die-cast aluminum body with polycarbonate lens. Circular driver provides excellent thermal transfer to extend component life. Fixture comes standard with hook for suspension mount.

ELECTRICAL

Luminaire is built with the highest quality universal 100-277VAC drivers (custom order available for 347-480VAC driver).

OPTICAL SYSTEM

Designed to reduce glare and improved light distribution through precision formed

DIMMING

1-10V dimmable standard

CERTIFICATION

UL Listed, FCC, RoHS, CE, P65 Rated for Wet Location

TECHNICAL SPECIFICATION

WATTAGE	200W
LUMENS	26,733 lumens
EFFICACY	138 lm/W
VOLTAGE	AC100-277V (347-480V custom order)
POWER FREQUENCY	50/60 Hz
CCT	5000K (other CCT custom order)
CRI	Ra>70
BEAM ANGLE	120° standard
WORKING TEMP.	-40°F - +122°F
STORAGE TEMP.	-40°F - +158°F
IP RATING	IP65 Wet Location
DIMMABLE	1-10V dimming
POWER FACTOR	>0.95
THD	≤20%
WARRANTY	5 year limited
PORTOR CAT#	PT-HBH-200W-5K

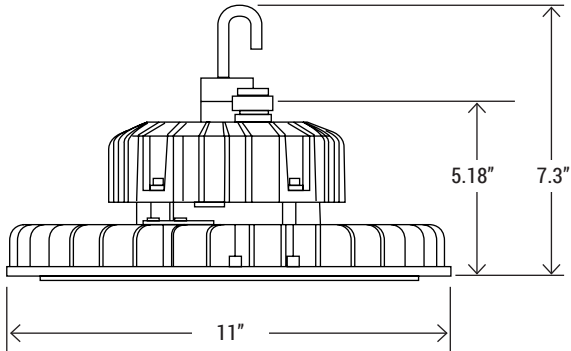


MODEL NUMBER(S)

MODEL#	WATTS	LUMENS	LM/WATT	CCT	CRI	VOLTAGE
CES-LS-HERO-60W50SBZ-XL12	60W	8,891	147	5000K	>71	AC 100/277V
CES-LS-HERO-100W50SBZ-XL12	100W	14,599	147	5000K	>71	AC 100/277V
CES-LS-HERO-150W50SBZ-XL12	150W	21,727	141	5000K	>71	AC 100/277V
CES-LS-HERO-200W50SBZ-XL12	200W	26,733	138	5000K	>71	AC 100/277V
CES-LS-HERO-250W50SBZ-XL12	250W	37,812	149	5000K	>72	AC 100/277V

Project Name:	Notes:	Date:	Type:
---------------	--------	-------	-------

DIMENSION



REFLECTORS



PT-HBH-R-C/F
Clear or Frosted Polycarbonate
Reflector for HBH

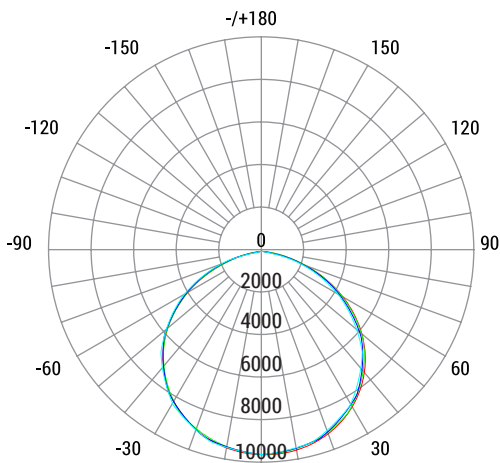


PT-HBH-R-R
Aluminum Ring



PT-HBH-RB-C/F
Clear or Frosted Polycarbonate
Reflector Bottom Cover for HBH

PHOTOMETRY



- UNIT: cd
- C0/180, 114.9
 - C30/210, 114.6
 - C60/240, 114.1
 - C90/270, 113.8

Average Beam Angle (50%) : 114.3 degree