

4302C - LED PUCK LIGHT SPECIFICATION



PRODUCT FEATURES:

MODEL: 4302C



Input:

**DC
12V**

Power:

**3
Watts**

Finish:



Black

White

Silver

LED Chip:



CRI

**CRI
80-85**

Color Temperature:



Dim:



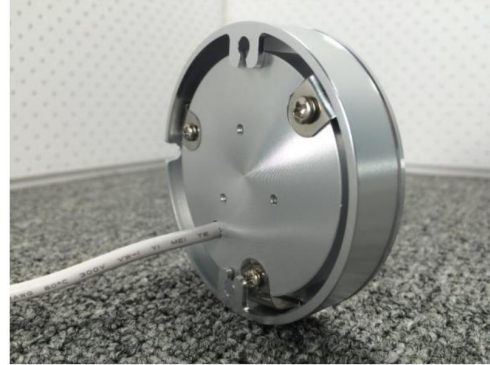
Dimmable With 12V/24V PWM Dimmer

Beam Angle:



APPLICATIONS:

- Kitchen Lighting
- Furniture Lighting
- Display Case Lighting
- Jewelry Store, Museum, Wall Way
- Hotel, Restaurant, Entertainment Places,
- Accent Lighting

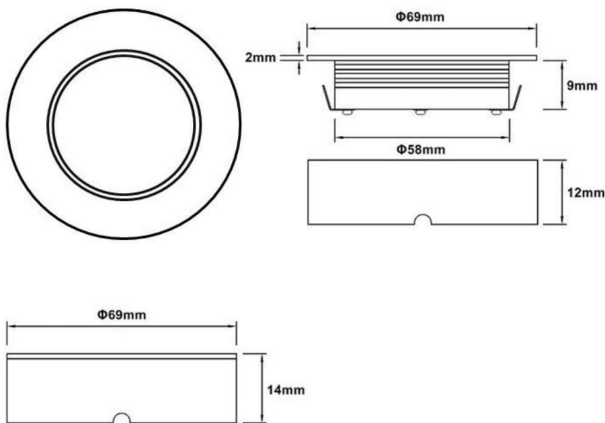


LUMEN OUTPUT:

LED CHIP BRAND	COLOR TEMPERATURE	LUMEN OUTPUT
Epistar	2800-3300K	230lm
Epistar	4000-4500K	240lm
Epistar	6000-6500K	260lm

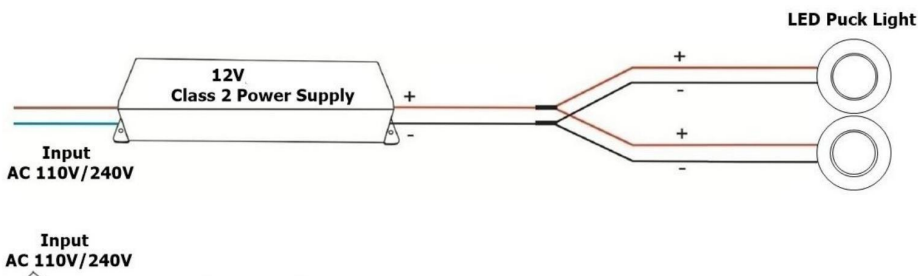
Dimension:

LED Puck Light



Power Connection:

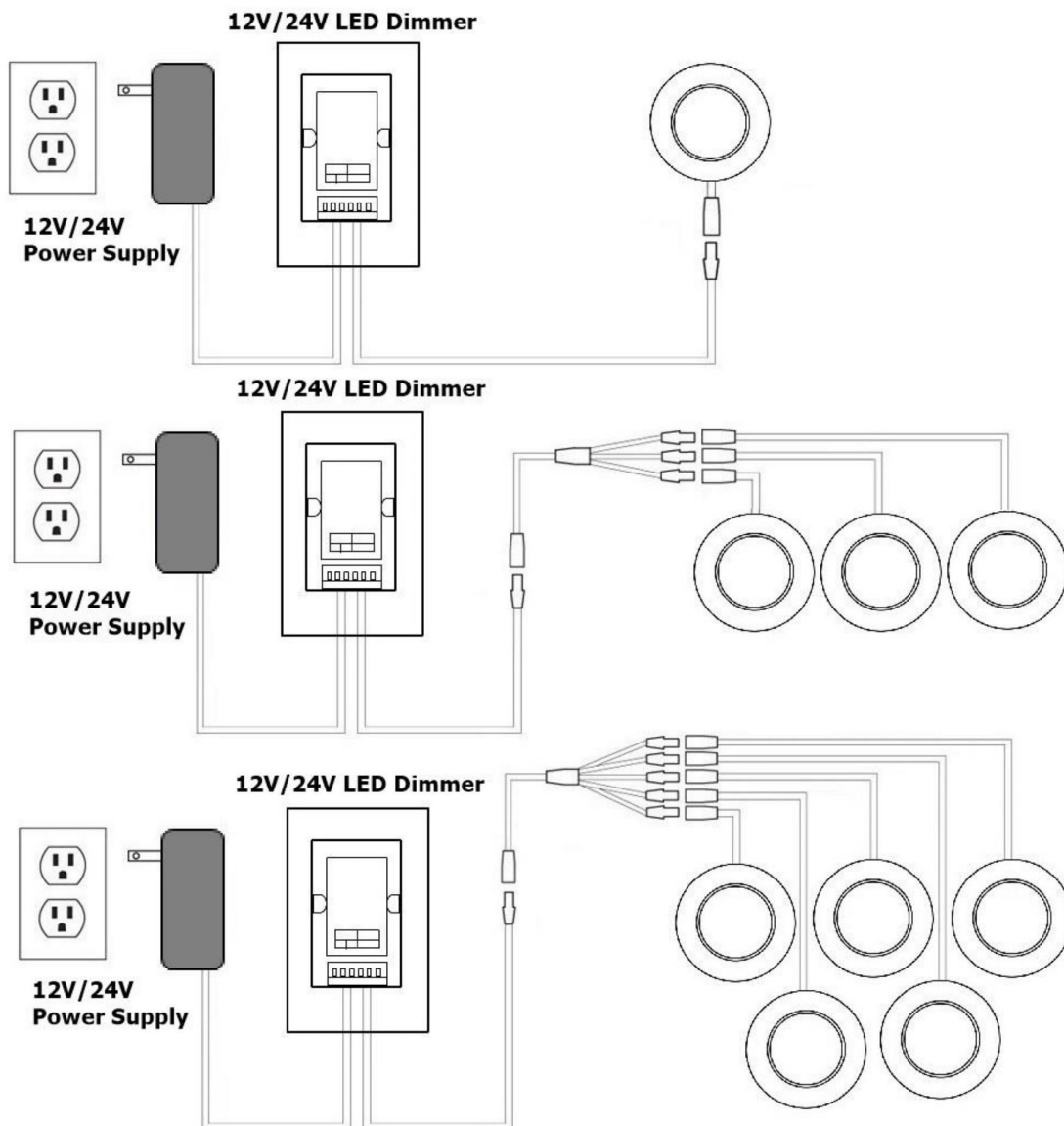
One 12V power supply can work with a certain number of lights those are connected in parallel which it is limited by the max load of the 12V power supply.



IMPORTANT NOTICE:

The total power consumption of the lights connected should be less than 90% of the max load of power supply.

WD-300C is dimmable

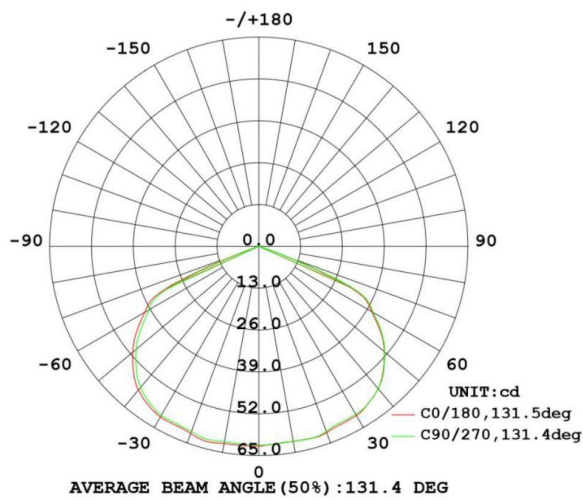




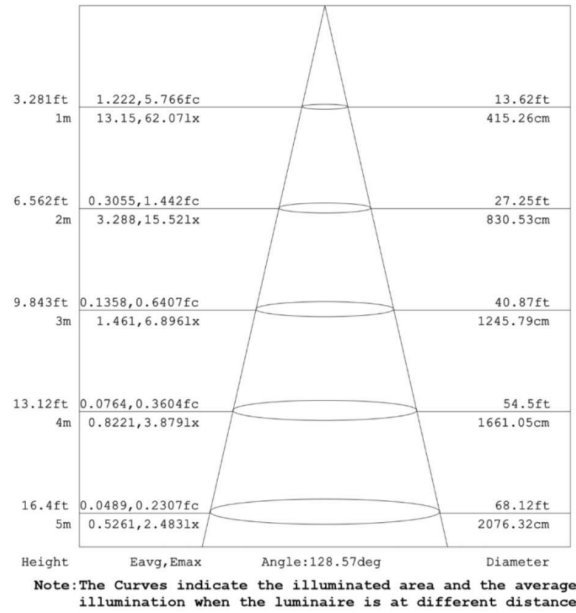
LIGHT DISTRIBUTION DIAGRAM:

ISOLUX DIAGRAM:

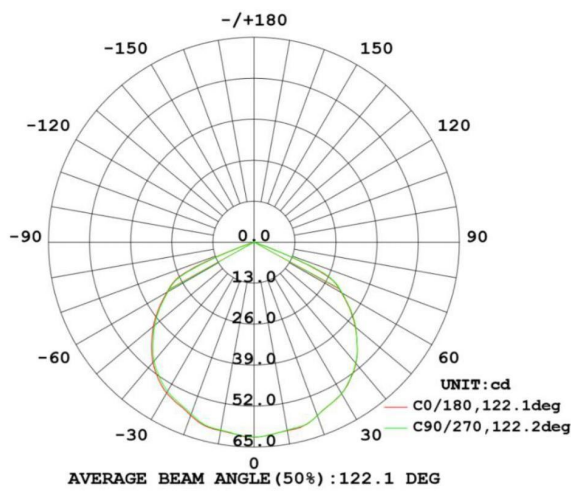
4301C- Cool White



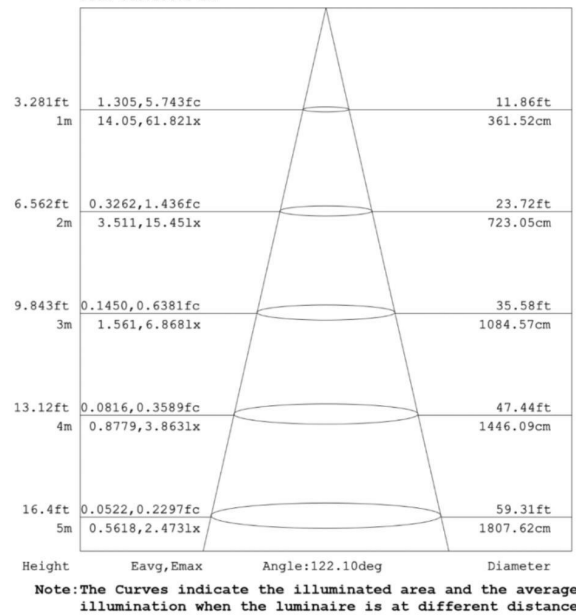
Flux out: 190.0 lm



4301C- Warm White



Flux out: 156.1 lm



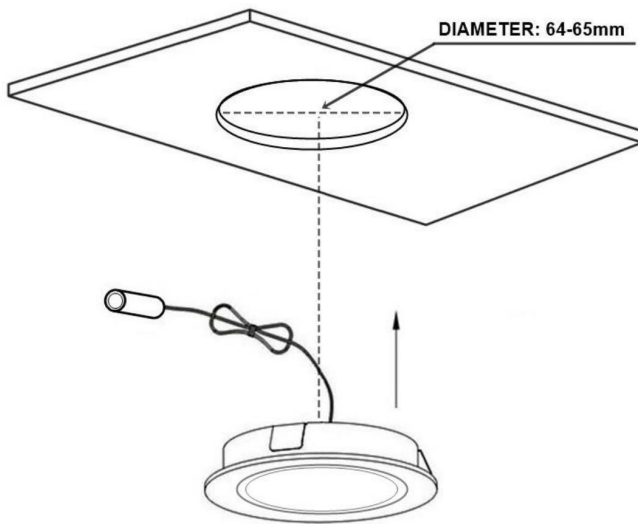
METHOD OF INSTALLATION:

1. RECESSED MOUNTED

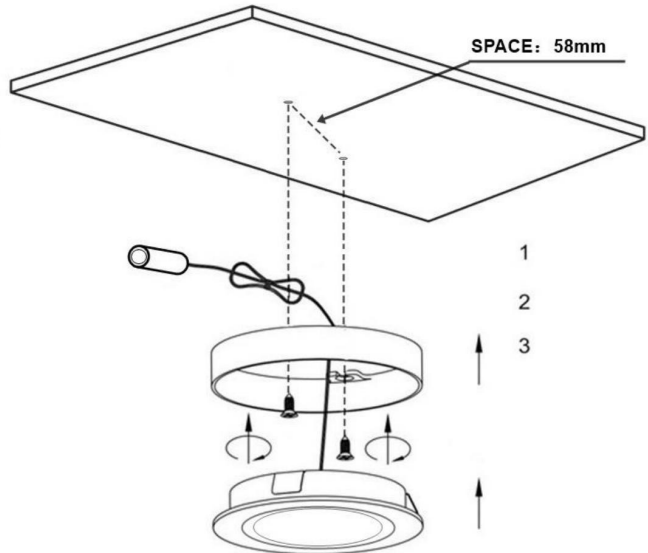
Cut a hole \varnothing 64-65mm in the Puck, put the light in the hole, the light can be fixed by the spring

2. SURFACE MOUNTED

Take out the ring, fix the ring with two screws on the Puck, and put the inner part back into the ring.



Recessed Mounted



Surface Mounted

PACKAGING DETAILS:

Net Weight:	0.095kg
Gross weight:	0.13kg
Inner box size:	8.5x8.5x4.5cm
Carton size:	45x35x25cm
Quantity per carton:	100pcs