

LDW-2G



APPLICATION

LED premium grade enclosed and gasket fixture. For use in both indoor and outdoor applications where dust and moisture resistance and other non-hazardous contaminants. It is often used in refrigerated areas, food processing facilities, kitchens, parking garages, car washes, schools, government facilities, public areas and industrial spaces with low to medium mounting heights.

FEATURES:

- Vaportite fixture feature in rugged and durable construction. One piece polycarbonate housing with powder coated steel gear tray, hinge at both side with tool less latch for easy of accessibility and maintenance.
- Captive, Stainless steel snap-action latch cam secures lens to housing.
- Impact resistant translucent rounded acrylic linear diffuser.
- Fixtures wiring knockouts are provided on back and each end of housing.

MOUNTING:

- Chain and surface mounting.
- Mounting bracket provided.

LED:

- Color Temperature: 3500/4000/5000 (K).
- Service life: Greater than 100,000 hours(L₇₀) minimizing maintenance frequency.
- Poke in wire connectors.

ELECTRICAL:

- High power factor electronic driver, operate from a 120~277 Vac input range, 50/60 Hz.
- Power Factor: +0.9
- Efficiency: +85%
- Ambient Operating Temperature: -49°F(-45°C) ~ 113°F(45°C).
- Constant Current, Class 2
- <ELCU-200>
- Guarantees emergency lighting remains ON or is turned on when power to the control device is lost.
- Interfaces with fire alarm panel or security system.
- "Watchdog" feature allows emergency loads to be controlled in tandem with normal power loads.
- UL listed for use in emergency circuits.

LISTING:

- UL listed.
- DLC listed.¹
- Suitable for damp location / wet location listed.
- 5 years limited warranty.

CONFIGURATIONS

	Size	LED Watts	Lumen Output	Color Temp.	Lumen Efficiency	CRI
LDW-2G	4FT	34W, 38W, 45W	4420lm, 4940lm, 5850lm	4000K	130 lm/W	> 80
	8FT	65W, 75W, 90W	8450lm, 9750lm, 11700lm			

: Based on 4000K.

ORDERING INFORMATION

EXAMPLE: LDW-2G-4-L45/38/34-35/40/50K-UNV-SSL

MODEL	SIZE	LED	COLOR TEMP.	VOLTAGE	DIMMING
LDW-2G	4 4ft	L45/38/34 34W /38W /45W LED	-35/40/50K Selectable 35/40/50K	UNV 120 277 120-277V 120V 277V	(Blank) 0-10V dim 10%
	8 8ft	L90/75/65 65W /75W /90W LED			

LATCH		OPTIONS	
SSL	Stainless Steel Latch (Std.)	EMG5	5W EM Battery Backup (CEC Compliant EM) ²
		EMG8	8W EM Battery Backup (CEC Compliant EM) ²
		EMG16	16W EM Battery Backup (CEC Compliant EM) ²
		ELCU-200	Fail-to-on Emergency lighting, UL924 ³
		WMS	Wet Location Occupancy Sensor
		LOD509SP-EJ-50F	Smart Dimming Occupancy Sensor
		LOD-500S-E-X	IR-TEC Line Voltage 0-10V / Bi-Level Dimming Sensor, Occupancy & Daylight Combined

NOTES:

1. DesignLights Consortium® (DLC) qualified product. Not all versions of this product may be DLC qualified. Please check the DLC Qualified Products List at www.designlights.org/QPL to confirm which versions are qualified.
2. Contact factory for other emergency ballast options.
3. Shipped separately.

LDW-2G

Specifications: LDW-2G (2ft / 4ft / 8ft)

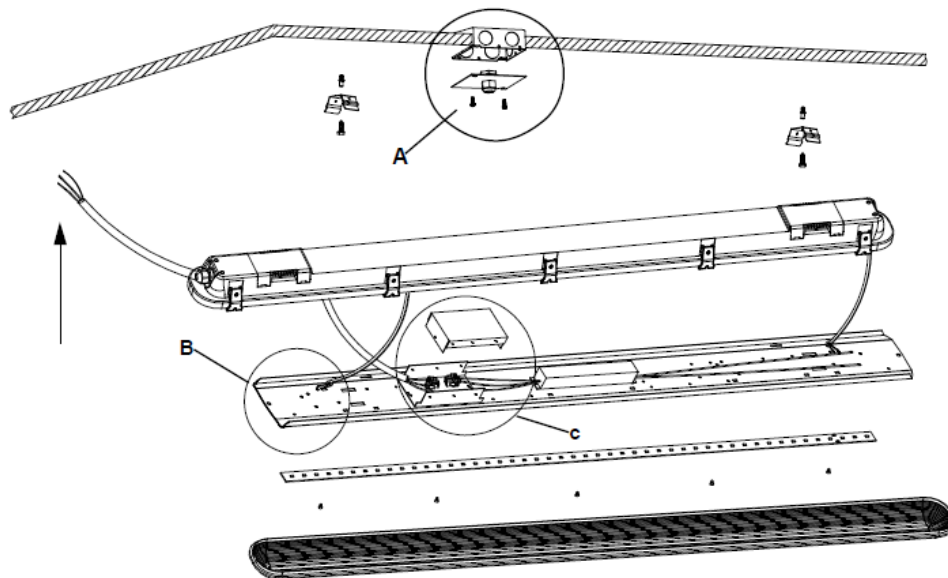
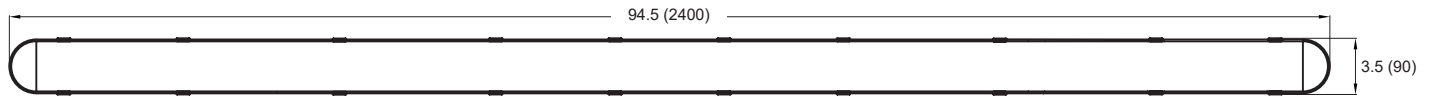
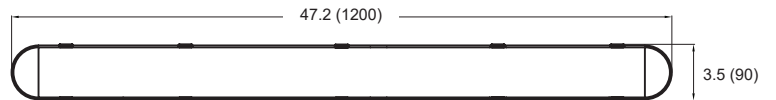
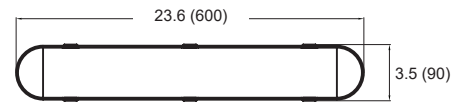
Length: 23.6/47.2/94.5 (600/1200/2400)

Width: 3.5 (90)

Depth: 3.1 (80)

Weight: 3.3/4.4/7.7 lbs (1.5/2/3.5 kg)

All dimensions are in inches (millimeters).



Surface Ceiling Mount