

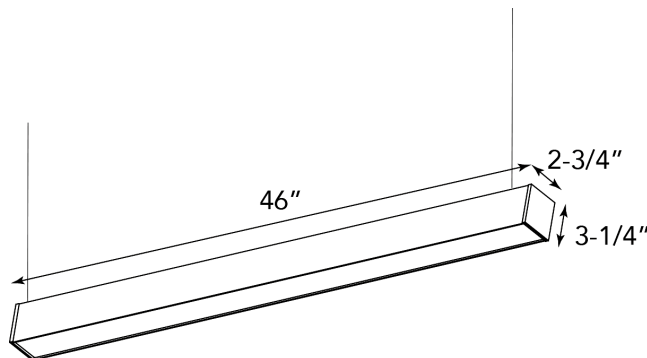
SCL-4FT-UD-40W-50K-D
SCL-4FT-UD-40W-40K-D
SCL-4FT-UD-40W-35K-D



UP/Down Light

DIMENSIONS:

46"(L) x 2-3/4"(W) x 3-1/4"(H)



LED ARCHITECTURAL SUPENDED COMMERCIAL LIGHTS (4FT.)

Ideal for hotel, offices, retail outlets, restaurant, parking garages, storage room, conference room, education facilities and more.

ELECTRICAL SPECIFICATIONS:

- Voltage: 120-277VAC 50/60Hz
- Wattage: Up/Down: 15W/25W
- Power factor: >0.95
- Efficacy: 110LM/W

HOUSING SPECIFICATIONS:

- White, Aluminum
- Surface Mounting Hardware & Coupling Clip for Tandem
- Installation included (Not shown)
- Operating temperature: -13°F ~ 104°F
- Lifespan: 50000 Hrs.
- IP rating: IP20

CERTIFICATIONS: UL, DLC



OPTIONAL ACCESSORIES:



MODEL	DESCRIPTION
SCL-CS	Adjustable 6 Ft. Suspension Kit Select a single-Connector Key Hole Set (Not Included)
SCL-6FT-SJTW18/5	6Ft. Cord SJTW 18 AWG 5-Conductor (Not Included)
SCL-RMK	Recessed Mounting Kit (Not Included)

LIGHTING SPECIFICATIONS:

- Dimming: 0~10V dimmable
- Lens: Frosted Polycarbonate
- Total lumens: UP/DOWN: 1650LM/2750LM
- Color temperature: 5000K/4000K/3500K
- Color rendering index: >80

WARRANTY: 5 years

